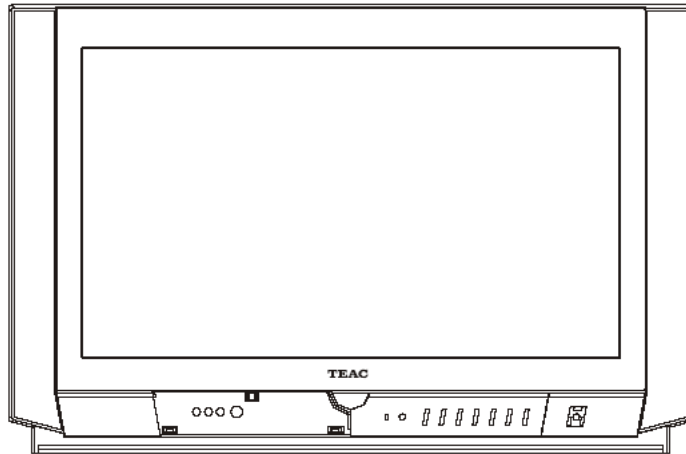


TEAC

SERVICE MANUAL



CT-W321D

1. Caution.....	2
2. Specification.....	6
3. BOM List	10
4. Alignment Procedure.....	53
5. Schematic Diagram	65
6. UOC3 Main Board PCB Layout	78
7. Digital Board PCB Layout.....	81

This manual is the latest at the time of printing, and does not include the modification which may be made after the printing, by the constant improvement of product.

CAUTION:

Use of controls, adjustments or procedures other than those specified herein may result in hazardous radiation exposure.



CAUTION
RISK OF ELECTRIC SHOCK DO NOT OPEN.



CAUTION: TO REDUCE THE RISK OF ELECTRICAL SHOCK, DO NOT REMOVE COVER (OR BACK). NO USER SERVICEABLE PARTS INSIDE. REFER SERVICING TO QUALIFIED SERVICE PERSONNEL.



The lightning flash with arrowhead symbol, with an equilateral triangle is intended to alert the user to the presence of uninsulated “dangerous voltage” within the product’s enclosure that may be of sufficient magnitude to constitute a risk of electric shock to the person.



The exclamation point within an equilateral triangle is intended to alert the user to the presence of important operating and maintenance (servicing) instructions in the literature accompanying the appliance.

WARNING: TO REDUCE RISK OF FIRE OR ELECTRIC SHOCK, DO NOT EXPOSE THIS APPLIANCE TO RAIN OR MOISTURE.

IMPORTANT SAFETY INSTRUCTIONS

CAUTION:

Read all of these instructions. Save these instructions for later use. Follow all Warnings and Instructions marked on the audio equipment.

1. Read Instructions- All the safety and operating instructions should be read before the product is operated.
2. Retain Instructions- The safety and operating instructions should be retained for future reference.
3. Heed Warnings- All warnings on the product and in the operating instructions should be adhered to.
4. Follow Instructions- All operating and use instructions should be followed.

FOR YOUR PERSONAL SAFETY

1. When the power cord or plug is damaged or frayed, unplug this television set from the wall outlet and refer servicing to qualified service personnel.
2. Do not overload wall outlets and extension cords as this can result in fire or electric shock.
3. Do not allow anything to rest on or roll over the power cord, and do not place the TV where power cord is subject to traffic or abuse. This may result in a shock or fire hazard.
4. Do not attempt to service this television set yourself as opening or removing covers may expose you to dangerous voltage or other hazards. Refer all servicing to qualified service personnel.
5. Never push objects of any kind into this television set through cabinet slots as they may touch dangerous voltage points or short out parts that could result in a fire or electric shock. Never spill liquid of any kind on the television set.
6. If the television set has been dropped or the cabinet has been damaged, unplug this television set from the wall outlet and refer servicing to qualified service personnel.
7. If liquid has been spilled into the television set, unplug this television set from the wall outlet and refer servicing to qualified service personnel.
8. Do not subject your television set to impact of any kind. Be particularly careful not to damage the picture tube surface.
9. Unplug this television set from the wall outlet before cleaning. Do not use liquid cleaners or aerosol cleaners. Use a damp cloth for cleaning.
- 10.1. Do not place this television set on an unstable cart, stand, or table. The television set may fall, causing serious injury to a child or an adult, and serious damage to the appliance. Use only with a cart or stand recommended by the manufacturer, or sold with the television set. Wall or shelf mounting should follow the manufacturer's instructions, and should use a mounting kit approved by the manufacturer.
- 10.2. An appliance and cart combination should be moved with care. Quick stops, excessive force, and uneven surfaces may cause the appliance and cart combination to overturn.



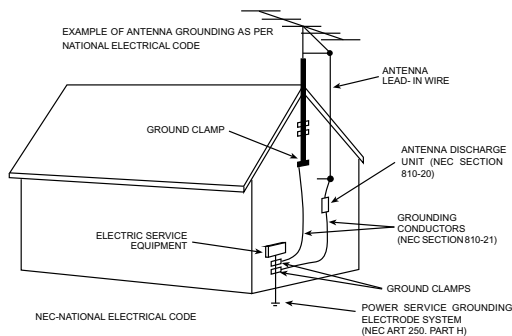
PROTECTION AND LOCATION OF YOUR SET

11. • Do not use this television set near water ... for example, near a bathtub, washbowl, kitchen sink, or laundry tub, in a wet basement, or near a swimming pool, etc.
 - Never expose the set to rain or water. If the set has been exposed to rain or water, unplug the set from the wall outlet and refer servicing to qualified service personnel.
12. Choose a place where light (artificial or sunlight) does not shine directly on the screen.
13. Avoid dusty places, since piling up of dust inside TV chassis may cause failure of the set when high humidity persists.
14. The set has slots, or openings in the cabinet for ventilation purposes, to provide reliable operation of the receiver, to protect it from overheating. These openings must not be blocked or covered.
 - Never cover the slots or openings with cloth or other material.
 - Never block the bottom ventilation slots of the set by placing it on a bed, sofa, rug, etc.
 - Never place the set near or over a radiator or heat register.
 - Never place the set in a "built-in" enclosure, unless proper ventilation is provided.

PROTECTION AND LOCATION OF YOUR SET

- 15.1. If an outside antenna is connected to the television set, be sure the antenna system is grounded so as to provide some protection against voltage surges and built up static charges, Section 810 of the National Electrical Code, NFPA No. 70-1975, provides information with respect to proper grounding of the mast and supporting structure, grounding of the lead-in wire to an antenna discharge unit, size of grounding conductors, location of antenna discharge unit, connection to grounding electrode, and requirements for the grounding electrode.

EXAMPLE OF ANTENNA GROUNDING AS PER NATIONAL ELECTRICAL CODE INSTRUCTIONS



- 15.2. Note to CATV system installer : (Only for the television set with CATV reception)

This reminder is provided to call the CATV system installer's attention to Article 820-40 of the NEC that provides guidelines for proper grounding and, in particular, specifies that the cable ground shall be connected to the grounding system of the building, as close to the point of cable entry as practical.

16. An outside antenna system should not be located in the vicinity of overhead power lines or other electric lights or power circuits, or where it can fall into such power lines or circuits. When installing an outside antenna system, extreme care should be taken to keep from touching such power lines or circuits as contact with them might be fatal.
17. For added protection for this television set during a lightning storm, or when it is left unattended and unused for long periods of time, unplug it from the wall outlet and disconnect the antenna. This will prevent damage due to lightning and power-line surges.

OPERATION OF YOUR SET

18. This television set should be operated only from the type of power source indicated on the marking label. If you are not sure of the type of power supply at your home, consult your television dealer or local power company. For television sets designed to operate from battery power, refer to the operating instructions.
19. If the television set does not operate normally by following the operating instructions, unplug this television set from the wall outlet and refer servicing to qualified service personnel. Adjust only those controls that are covered in the operating instructions as improper adjustment of other controls may result in damage and will often require extensive work by a qualified technician to restore the television set to normal operation.
20. When going on a holiday : If your television set is to remain unused for a period of time, for instance, when you go on a holiday, turn the television set " off " and unplug the television set from the wall outlet.

IF THE SET DOES NOT OPERATE PROPERLY

21. If you are unable to restore normal operation by following the detailed procedure in your operating instructions, do not attempt any further adjustment. Unplug the set and call your dealer or service technician.
22. Whenever the television set is damaged or fails, or a distinct change in performance indicates a need for service, unplug the set and have it checked by a professional service technician.
23. It is normal for some TV sets to make occasional snapping or popping sounds, particularly when being turned on or off. If the snapping or popping is continuous or frequent, unplug the set and consult your dealer or service technician.

FOR SERVICE AND MODIFICATION

24. Do not use attachments not recommended by the television set manufacturer as they may cause hazards.
25. When replacement parts are required, be sure the service technician has used replacement parts specified by the manufacturer that have the same characteristics as the original part. Unauthorized substitutions may result in fire, electric shock, or other hazards.
26. Upon completion of any service or repairs to the television set, ask the service technician to perform routine safety checks to determine that the television is in safe operating condition.

Item	Model	3290I
Master Data		
-Version		1.0
-Customer ID		TEAC
-Destination		Australia
-Brand		TEAC
-BOM NO.		03-329045-AA63
-Chassis		M68 + DVB-T
ATV		
-Tuning [Channels Amt.]		100
-Tuning [Technology]		PLL FS TUNER
-Tuning [Indication]		----
-Frequency Bands		Full-Cable
-IF Frequency		38.9MHZ
-TV Systems (Color+ Sound)		PAL BG
-AV Systems		PAL,NTSC
DTV		
- DTV system		DVB-T(FTA , Australia)
Tuner and channel		
-Frequency Range		51 to 858 MHz
- IF-center frequency		36.13MHz
-Digital Signal Input Level		-30dBmV to 75dBmV
-Demodulation		COFDM
-Constellation		QPSK, 16-QAM, 64-QAM
-Tuner Bandwidth		7 MHz/8MHz
-FFT mode		2K/8K
-Guard Interval		1/4, 1/8, 1/16, 1/32, off
-FEC Code Rate		1/2, 2/3, 3/4, 5/6 and 7/8
MPEG decode		
-Transport Stream		MPEG-2 ISO/IEC 13818, Transport stream specification
-Profile Level		MPEG-2 MP@ML.
-Video Resolution		SD 576i
Picture-Processing		
-SCAN		Standard
-Wide Screen Switching		
-Comb filter		X
-Picture Enhancement		X
LTI / CTI		
Black Stretch		X
Dynamic Skin		X
Others		
-Picture Control [General]		
Brightness		X
Sharpness		X
Contrast		X
Tint		X
Color		X
-Picture Control [Special]		
Smart Pictures * modes		4
VM		X
Color Temperature		X
Others		
-Picture Noise Reduction		
Picture – Display		
-CRT Type		
Normal Flat		
Pure Flat		X
Super Flat		
-Deflection system		
1Fh		X

Item	Model	3290I
2Fh		
-Tube Technology		
Iron		X
AK		
Black Matrix		X
Others		
-CRT Deflection (* Deg.)		93 degr
-CRT Magnetic Field		Australia
-Screen Type		16:9
-Screen Size / Vis. Size		32"
Sound		
ATV		
-Audio Power Consumption		6W+6W
-Surround Sound		
-Nicam		X
-America Stereo (MTS,BTSC,MPS)		
-America SAP		
German Stereo		X
-Korea Stereo		
-Thai Bilingual		
-Super Woofer		
-AVL		X
-Sound Control [General]		
Volume		X
Mute		X
-Sound Control [Special]		
Treble		
Bass		
Balance		X
Equalizer		X
Smart Sound * modes		X
Others		
-Speakers Quantity		4
DTV		
-Audio Decoding		MPEG layer I and II, Musicam,AC-3
-Audio Output Mode		Stereo Channel, Joint Stereo Channel, Mono
User Interface		
ATV		
-Menu Language		English
-Features [General]		
AT		
Biological Lock		
Calendar		X
Clock		X
Channel Swap		X
Channel Adjustment		
Channel Naming		X
Child Lock		X
Panel Lock		
AV Lock		
Favorite Channel		X
Game		X
Hotel Mode		
High Sensitive		
Notebook		X
On/Off Timer		X
Preset		

Item	Model	3290I
Recall		X
Rotation		X
Auto Sleep		
Programe prearrange		
Parent Guide		X
Channel Skip		X
Others		
-Features [Special]		
V-chip / CCD		X
Teletext *Pages		X
FM Radio		
Others		
DTV		
- DTV Menu language		English
-Channel edit name		X
-Channel list		X
-Channel delete		X
-Channel lock		X
-Favorite Channel and set		X
-EPG(NOW/NEXT)		X
-List schedule EPG		X
-Audio language Setting		X
-Subtitle language setting		X
-Time zone		X
-Parental settings		X
-Return		X
-Sleep		X
-CCD/TELETEXT,SUBTITLE		X
Tuning Features		
ATV		
-Auto Channel Program		X
-Auto/Manual Tuning		X
-Auto/Manual Store		X
-Fine Tuning		X
-Factory Mode		X
-Service Mode		X
DTV		
-Automatic search		X
-Manual search		X
-First time installation		X
-Auto/Manual Store		X
Cabinet		
-Cabinet Name		3290
-Front Cabinet Color		
-Middle Cabinet Color		
-Rear Cabinet Color		
-Local Controls Front		
Mains Switch		X
CH+ CH- VOL+ VOL-		X
TV/AV		X
ATV Menu		X
ATV Auto Search		X
-Local Controls Top		
CH+ CH- VOL+ VOL-		
TV/AV		
Menu		
Auto Search		
-Indicator		
RC Received LED		X
Standby LED		X
Remote Controller		

Item	Model	3290I
-Type		
-Batteries		
Connectors Rear		
-SCART Full w/o Y/C		
-SCART Full with Y/C		
-SCART Single (CVBS)		
-Component In (YPbPr) Cinch for 50Hz		X
-In Y/C+Cinch(CVBS+ Stereo)		
-In Y/C+Cinch (CVBS+ Mono)		
-In Cinch(CVBS+ Stereo)		X
-In Cinch (CVBS+ Mono)		
-Out Cinch(CVBS+ Stereo)		X
-Out Cinch(CVBS+ Mono)		
-Super Woofer		
-S/PDIF Digital Audio Out		X
-Rs232		X
-Loudspeakers		
-Control Busses		
-Feature Slot		
-ITV Smart Port		
- Antenna in		
75 Ohms (IEC Type)		X
Connectors Front/Side		front
-In Y/C+Cinch(CVBS+ Stereo)		X
-In Y/C+Cinch (CVBS+ Mono)		
-In Cinch(CVBS+ Stereo)		
-In Cinch (CVBS+ Mono)		
-Out Headphone		
Mini-Jack 3.5mm		
Final Equipment		
-Packing –Methods		
2 Color Printing		
Carton Color		X
-Documents and Manuals		
Instruction Book		X
Screen Sticker		
Plastic Bag		X
Warranty Card		
Guarantee Doc.		X
Warning Label		X
Approbation Label		
Others		
-Languages DFU		English
-Indication on BACKOVER		X
Made-in in family sheet		X
FCC/Elect Shock Caution Label		
CE/Elect Shock Caution Label		
Warning Label		X
Others		
Approbation		EMC.CB
Miscellaneous		
-Mains Voltage		230-240 V
-Mains Frequency		50Hz
-Type Mains Cord		SAA
-Power Consumption TV in ON		120W
-Power Consumption TV in Standby		Less than 1W

PART NO.	SEPC	SINGLE QTY	LOCATION
11-0BC337-0BX	TRANSISTOR (NPN) BC337-40	1	Q1501
13-00AS12-13B	IC AS1213B	1	IC1501
14-IRE05B-XX0	IR EMITTING DIODE TSAL6200	1	D1501
18-CB0221-JNX	RES. C. F. 220 OHM 1/6W +/-5%	1	R1503
18-CB0229-JNX	RES. C. F. 2.2 OHM 1/6W +/-5%	1	R1501
25-HBB479-M1X	CAP. ELEC 4.7 UF 10V +/-20%	1	C1504
26-EBP101-JCS	CAP. CER 100 PF 50V +/-5%	1	C1502
26-EBP101-JCS	CAP. CER 100 PF 50V +/-5%	1	C1501
26-EBP104-ZFS	CAP. CER 0.1UF 50V +80%/-20%	1	C1503
40-UOCASF-RMA	P. C. B. REMOTE HANDSET BD	1	
45-COS455-KY1	CERAMIC RESONATOR 455KHZ	1	X1501
49-HS46F0-00XAA	RUBBER PAD KEYS	1	
55-HS46FB-OHAAI	FREMOTEHANDSET-BOTTOMCABINET	1	
55-HS46FD-OHAAI	FBATTDOOR-REMOTEHANDSET	1	
55-HS46FT-OHAAG	FREMOTEHANDSET-FRONTCABINET	1	
58-HS46F1-OUI1A	INLAY REMOTE HANDSET	1	
63-B26060-BT2	S/T SCREW B 2.6 X 6 BT	1	
67-X26968-OE2	BATT. TERMINAL (+/-)	1	
67-X31028-OE2	SPRING - BATTERY (-)	1	
67-X31029-OE2	SPRING - BATTERY (+)	1	
74-008026-60C	POLYBAG (80MMX260MMX0.06MM)	1	
18-CB0102-JNX	RES. C. F. 1K OHM 1/6W +/-5%	1	R009
18-CB0102-JNX	RES. C. F. 1K OHM 1/6W +/-5%	1	R028A
18-CB0221-JNX	RES. C. F. 220 OHM 1/6W +/-5%	1	R023A
18-CB0331-JNX	RES. C. F. 330 OHM 1/6W +/-5%	1	R024A
18-CB0391-JNX	RES. C. F. 390 OHM 1/6W +/-5%	1	R025A
18-CB0470-JNX	RES. C. F. 47 OHM 1/6W +/-5%	1	R008
18-CB0471-JNX	RES. C. F. 470 OHM 1/6W +/-5%	1	R026A
18-CB0681-JNX	RES. C. F. 680 OHM 1/6W +/-5%	1	R027A
40-3290A5-KEB1X	P. C. B. KEY BD	1	
10-0001H8-FBX	DIODE 1H8 (FAST RECOVERY)	1	D860
10-0FR102-FBX	DIODE FR102 (1A/100V)	1	D865
10-1N4007-EBX	DIODE 1N4007	1	D864
10-1N4007-EBX	DIODE 1N4007	1	D863
10-1N4007-EBX	DIODE 1N4007	1	D861
10-1N4007-EBX	DIODE 1N4007	1	D862
10-1N4148-ABX	DIODE 1N4148 (SWITCHING)	1	D867
10-1N5819-FBX	DIODE 1N5819 (1A/40V)	1	D868
10-HS6V2B-DBX	DIODE 6V2 500MW	1	D890
18-CB0101-JNX	RES. C. F. 100 OHM 1/6W +/-5%	1	R865
18-CB0102-JNX	RES. C. F. 1K OHM 1/6W +/-5%	1	R893
18-CB0152-JNX	RES. C. F. 1.5K OHM 1/6W +/-5%	1	R892
18-CB0512-JNX	RES. C. F. 5.1K OHM 1/6W +/-5%	1	R864
18-CB0513-JNX	RES. C. F. 51K OHM 1/6W +/-5%	1	D866
18-CB0752-JNX	RES. C. F. 7.5K OHM 1/6W +/-5%	1	R894
18-CB0753-JNX	RES. C. F. 75K OHM 1/6W +/-5%	1	R861
18-CB0912-JNX	RES. C. F. 9.1K OHM 1/6W +/-5%	1	R863
18-CD0105-JNX	RES. C. F. 1M OHM 1/4W +/-5%	1	R860
18-CD0229-JNX	RES. C. F. 2.2 OHM 1/4W +/-5%	1	R862
26-EBP122-KBS	CAP. CER 1200PF 50V +/-10%	1	C865
26-EBP471-JCS	CAP. CER 470 PF 50V +/-5%	1	C863
40-3290SB-PWB1X	POWER PCB BD	1	PCB
41-WJ0050-B00	WIRE BARE JUMPER 5MM	1	J861
41-WJ0065-B00	WIRE BARE JUMPER 6.5MM	1	J860
10-0001H8-FBX	DIODE 1H8 (FAST RECOVERY)	1	D810
10-1N4148-ABX	DIODE 1N4148 (SWITCHING)	1	D821
10-1N4148-ABX	DIODE 1N4148 (SWITCHING)	1	D811
10-1N4148-ABX	DIODE 1N4148 (SWITCHING)	1	D808
10-1N4148-ABX	DIODE 1N4148 (SWITCHING)	1	D803
10-HS9V1C-DBX	DIODE 9V1 500MW	1	D828
11-SCI815-YBX	TRANSISTOR 2SCI815-Y (NPN)	1	Q804
18-CB0100-JNX	RES. C. F. 10 OHM 1/6W +/-5%	1	R814
18-CB0101-JNX	RES. C. F. 100 OHM 1/6W +/-5%	1	R802
18-CB0102-JNX	RES. C. F. 1K OHM 1/6W +/-5%	1	R840
18-CB0102-JNX	RES. C. F. 1K OHM 1/6W +/-5%	1	R823
18-CB0102-JNX	RES. C. F. 1K OHM 1/6W +/-5%	1	R801
18-CB0113-JNX	RES. C. F. 11K OHM 1/6W +/-5%	1	R819
18-CB0221-JNX	RES. C. F. 220 OHM 1/6W +/-5%	1	R822
18-CB0223-JNX	RES. C. F. 22K OHM 1/6W +/-5%	1	R834

PART NO.	SEPC	SINGLE QTY	LOCATION
18-CB0273-JNX	RES. C. F. 27K OHM 1/6W +/-5%	1	R812A
18-CB0333-JNX	RES. C. F. 33K OHM 1/6W +/-5%	1	R825
18-CB0333-JNX	RES. C. F. 33K OHM 1/6W +/-5%	1	R838
18-CB0472-JNX	CARBON RES. C. F. 4. 7K OHM 1/6W +/-5%	1	R812
18-CB0563-JNX	RES. C. F. 56K OHM 1/6W +/-5%	1	R818
18-CB0822-JNX	RES. C. F. 8. 2K OHM 1/6W +/-5%	1	R830
18-CDO470-JNX	RES. C. F. 47 OHM 1/4W +/-5%	1	R823A
18-CE0474-JNX	RES. C. F. 470K OHM 1/2W +/-5%	1	R816A
18-DB0183-FNX	RES. M. F. 18K OHM 1/6W +/-1%	1	R824A
18-DB0222-FNX	RES. M. F. 2. 2K OHM 1/6W +/-1%	1	R824
18-DE0104-FNX	RES. M. F. 100K OHM 1/2W +/-1%	1	R800
18-KE0105-JN3	RES. H. VOLT. CC 1M OHM 1/2W +/-5%	1	R813
18-KE0105-JNX	RES. GLASS GLAZE 1M OHM 1/2W +/-5%	1	R833
18-KE0475-JNX	RES. GLASS GLAZE 4. 7M OHM 1/2W +/-5%	1	R811
25-BCB101-M1X	CAP. ELEC 100 UF 16V +/-20%	1	C811
25-BCB221-M1X	CAP. ELEC 220 UF 16V +/-20%	1	C845
25-BDB100-M1X	CAP. ELEC 10 UF 25V +/-20%	1	C880
25-BDB470-M1X	CAP. ELEC 47 UF 25V +/-20%	1	C826
26-ABC102-KBX	CAP. CER 1000 PF 50V +/-10% B	1	C848
26-ABC104-ZFX	CAP. CER 0. 1 UF 50V +80-20% F	1	C842
26-ABC104-ZFX	CAP. CER 0. 1 UF 50V +80-20% F	1	C847
26-ABC104-ZFX	CAP. CER 0. 1 UF 50V +80-20% F	1	C817
26-ABC821-JZX	CAP. CER 820 PF 50V +/-5% SL	1	C854
26-AIC221-KBX	CAP. CER 220 PF 500V +/-10% B	1	C849
26-AIC221-KBX	CAP. CER 220 PF 500V +/-10% B	1	C821
26-EBP102-KBS	CAP. CER 1000 PF 50V +/-20%	1	C843
26-EBP102-KBS	CAP. CER 1000 PF 50V +/-20%	1	C838
26-EBP103-ZFX	CAP. CER 0. 01UF 50V +80/-20% F	1	C856
26-EBP103-ZFX	CAP. CER 0. 01UF 50V +80/-20% F	1	C857
26-EBP104-ZFS	CAP. CER 0. 1UF 50V +80%/-20%	1	C830
26-EBP221-JCS	CAP. CER 220 PF 50V +/-5%	1	C855
26-EBP222-KBS	CAP. CER 2. 2 NF 50V +/-10%	1	C833
26-EBP331-JCS	CAP. CER 330PF 50V +/-5%	1	C858
35-LB1005-OIX	FERR BEAD H75 (3. 5X1X5)	1	L805
35-LB1005-OIX	FERR BEAD H75 (3. 5X1X5)	1	L802
41-WJ0060-B00	WIRE BARE JUMPER 6MM	1	J813
41-WJ0060-B00	WIRE BARE JUMPER 6MM	1	J812
41-WJ0065-B00	WIRE BARE JUMPER 6. 5MM	1	J811
41-WJ0065-B00	WIRE BARE JUMPER 6. 5MM	1	J823
41-WJ0075-B00	WIRE BARE JUMPER 7. 5MM	1	R824B
41-WJ0075-B00	WIRE BARE JUMPER 7. 5MM	1	J827
41-WJ0085-B00	WIRE BARE JUMPER 8. 5MM	1	J820
41-WJ0085-B00	WIRE BARE JUMPER 8. 5MM	1	J821
41-WJ0085-B00	WIRE BARE JUMPER 8. 5MM	1	J822
41-WJ0100-B00	WIRE BARE JUMPER 10MM	1	D824
41-WJ0125-B00	WIRE BARE JUMPER 12. 5MM	1	J808
41-WJ0125-B00	WIRE BARE JUMPER 12. 5MM	1	J810
41-WJ0125-B00	WIRE BARE JUMPER 12. 5MM	1	J809
41-WJ0125-B00	WIRE BARE JUMPER 12. 5MM	1	J824
41-WJ0125-B00	WIRE BARE JUMPER 12. 5MM	1	J825
41-WJ0125-B00	WIRE BARE JUMPER 12. 5MM	1	J818
41-WJ0135-B00	WIRE BARE JUMPER 13. 5MM	1	J828
41-WJ0150-B00	WIRE BARE JUMPER 15MM	1	J814
41-WJ0150-B00	WIRE BARE JUMPER 15MM	1	J815
41-WJ0150-B00	WIRE BARE JUMPER 15MM	1	J826
41-WJ0175-B00	WIRE BARE JUMPER 17. 5MM	1	J816
41-WJ0175-B00	WIRE BARE JUMPER 17. 5MM	1	J805
66-343730-OB0	HOLLOW RIVET 1. 6MMX3. 0MMX3. 2MM	2	FOR DB801
66-343730-OB0	HOLLOW RIVET 1. 6MMX3. 0MMX3. 2MM	3	FOR RT800
66-343730-OB0	HOLLOW RIVET 1. 6MMX3. 0MMX3. 2MM	1	FOR Q805
66-343730-OB0	HOLLOW RIVET 1. 6MMX3. 0MMX3. 2MM	2	FOR L800
66-343730-OB0	HOLLOW RIVET 1. 6MMX3. 0MMX3. 2MM	4	FOR T801
66-343740-OB0	HOLLOW RIVET (2. 3MMX4. 0MMX3. 5MM)	2	FOR D806
66-343740-OB0	HOLLOW RIVET (2. 3MMX4. 0MMX3. 5MM)	2	FOR D805
66-343740-OB0	HOLLOW RIVET (2. 3MMX4. 0MMX3. 5MM)	2	FOR C829
11-SA1015-YBX	TRANSISTOR 2T2SA1015Y (PNP)	1	Q1306
11-SA1015-YBX	TRANSISTOR 2T2SA1015Y (PNP)	1	Q1304
11-SC1815-YBX	TRANSISTOR 2SC1815-Y (NPN)	1	Q1303
11-SC1815-YBX	TRANSISTOR 2SC1815-Y (NPN)	1	Q1302

PART NO.	SEPC	SINGLE QTY	LOCATION
11-SC1815-YBX	TRANSISTOR 2SC1815-Y (NPN)	1	Q1301
11-SC1815-YBX	TRANSISTOR 2SC1815-Y (NPN)	1	Q1305
18-CB0102-JNX	RES. C. F. 1K OHM 1/6W +/-5%	1	R1304
18-CB0102-JNX	RES. C. F. 1K OHM 1/6W +/-5%	1	R1302
18-CB0104-JNX	RES. C. F. 100K OHM 1/6W +/-5%	1	R1306
18-CB0471-JNX	RES. C. F. 470 OHM 1/6W +/-5%	1	R1305
18-CB0471-JNX	RES. C. F. 470 OHM 1/6W +/-5%	1	R1303
18-CB0472-JNX	CARBON RES. C. F. 4.7K OHM 1/6W +/-5%	1	R1309
18-CB0822-JNX	RES. C. F. 8.2K OHM 1/6W +/-5%	1	R1307
25-BDB101-M1X	CAP. ELEC 100 UF 25V +/-20%	1	C1301
25-BFB109-M1X	CAP. ELEC 1 UF 50V +/-20%	1	C1302
25-BFB109-M1X	CAP. ELEC 1 UF 50V +/-20%	1	C1303
25-BFB229-M1X	CAP. ELEC 2.2 UF 50V +/-20%	1	C1304
41-WJ0060-B00	WIRE BARE JUMPER 6MM	1	J1301
41-WJ0065-B00	WIRE BARE JUMPER 6.5MM	1	J1302
10-0FR104-FBX	DIODE FR104 (FAST RECTIFIER)	1	D400
10-0FR104-FBX	DIODE FR104 (FAST RECTIFIER)	1	D402
10-0FR104-FBX	DIODE FR104 (FAST RECTIFIER)	1	D404
10-0FR104-FBX	DIODE FR104 (FAST RECTIFIER)	1	D405
10-0FR104-FBX	DIODE FR104 (FAST RECTIFIER)	1	D406
10-1N4001-EBX	DIODE 1N4001 (RECTIFIER)	1	D410
10-1N4001-EBX	DIODE 1N4001 (RECTIFIER)	1	D411
10-1N4001-EBX	DIODE 1N4001 (RECTIFIER)	1	D309
10-1N4148-ABX	DIODE 1N4148 (SWITCHING)	1	D281
10-1N4148-ABX	DIODE 1N4148 (SWITCHING)	1	D300
10-1N4148-ABX	DIODE 1N4148 (SWITCHING)	1	D305
10-1N4148-ABX	DIODE 1N4148 (SWITCHING)	1	D307
10-1N4148-ABX	DIODE 1N4148 (SWITCHING)	1	D606
10-1N4148-ABX	DIODE 1N4148 (SWITCHING)	1	D308
10-1N4148-ABX	DIODE 1N4148 (SWITCHING)	1	D600
10-79C24V-DBX	DIODE ZENER 24V 1/2W 5%	1	D280
10-79C2V4-DBX	DIODE ZENER 2V4 1/2W 5%	1	D304
10-79C3V9-DBX	DIODE ZENER 3V9 1/2W 5%	1	D306
10-79C5V1-DBX	DIODE ZENER 5V1 1/2W 5%	1	D303
10-79C5V6-DBX	DIODE ZENER 5V6 1/2W 5%	1	D408
11-0BC639-0BX	TRANSISTOR BC639	1	Q402
11-SA1015-YBX	TRANSISTOR 2T2SA1015Y (PNP)	1	Q600
11-SA1015-YBX	TRANSISTOR 2T2SA1015Y (PNP)	1	Q280
11-SC1815-YBX	TRANSISTOR 2SC1815-Y (NPN)	1	Q603
11-SC1815-YBX	TRANSISTOR 2SC1815-Y (NPN)	1	Q602
11-SC1815-YBX	TRANSISTOR 2SC1815-Y (NPN)	1	Q401
11-SC1815-YBX	TRANSISTOR 2SC1815-Y (NPN)	1	Q281
18-CB0102-JNX	RES. C. F. 1K OHM 1/6W +/-5%	1	R606A
18-CB0102-JNX	RES. C. F. 1K OHM 1/6W +/-5%	1	R600A
18-CB0102-JNX	RES. C. F. 1K OHM 1/6W +/-5%	1	R314
18-CB0102-JNX	RES. C. F. 1K OHM 1/6W +/-5%	1	R316
18-CB0102-JNX	RES. C. F. 1K OHM 1/6W +/-5%	1	R429
18-CB0103-JNX	RES. C. F. 10K OHM 1/6W +/-5%	1	R615
18-CB0103-JNX	RES. C. F. 10K OHM 1/6W +/-5%	1	R605
18-CB0103-JNX	RES. C. F. 10K OHM 1/6W +/-5%	1	R604
18-CB0103-JNX	RES. C. F. 10K OHM 1/6W +/-5%	1	R603
18-CB0104-JNX	RES. C. F. 100K OHM 1/6W +/-5%	1	R284
18-CB0122-JNX	RES. C. F. 1.2K OHM 1/6W +/-5%	1	R300
18-CB0221-JNX	RES. C. F. 220 OHM 1/6W +/-5%	1	R283
18-CB0222-JNX	RES. C. F. 2.2K OHM 1/6W +/-5%	1	R350
18-CB0302-JNX	RES. C. F. 3K OHM 1/6W +/-5%	1	R606
18-CB0302-JNX	RES. C. F. 3K OHM 1/6W +/-5%	1	R600
18-CB0331-JNX	RES. C. F. 330 OHM 1/6W +/-5%	1	R281
18-CB0392-JNX	RES. C. F. 3.9K OHM 1/6W +/-5%	1	R424
18-CB0471-JNX	RES. C. F. 470 OHM 1/6W +/-5%	1	R285
18-CB0473-JNX	RES. C. F. 47K OHM 1/6W +/-5%	1	R607
18-CB0473-JNX	RES. C. F. 47K OHM 1/6W +/-5%	1	R614
18-CB0562-JNX	RES. C. F. 5.6K OHM 1/6W +/-5%	1	R428
18-CB0563-JNX	RES. C. F. 56K OHM 1/6W +/-5%	1	R602
18-CB0683-JNX	RES. C. F. 68K OHM 1/6W +/-5%	1	R418
18-CD0121-JNX	RES. C. F. 120 OHM 1/4W +/-5%	1	R411
18-CD0222-JNX	RES. C. F. 2.2K OHM 1/4W +/-5%	1	R315
18-CE0220-JNX	RES. C. F. 22 OHM 1/2W +/-5%	1	R410
18-EE0109-JNX	RES. FUS. 1 OHM 1/2W +/-5%	1	R450

PART NO.	SEPC	SINGLE QTY	LOCATION
18-FEO472-JNX	RES. M. O. 4.7K OHM 1/2W +/-5%	1	R425
25-BDB101-M1X	CAP. ELEC 100 UF 25V +/-20%	1	C605
25-BDB101-M1X	CAP. ELEC 100 UF 25V +/-20%	1	C324
25-BDB221-M1X	CAP. ELEC 220UF 25V +/-20%	1	C308
25-BDB470-M1X	CAP. ELEC 47 UF 25V +/-20%	1	C307
25-BEB101-M1X	CAP. ELEC 100 UF 35V +/-20%	1	C360
25-BEB101-M1X	CAP. ELEC 100 UF 35V +/-20%	1	C323
25-BFB101-M1X	CAP. ELEC 100 UF 50V +/-20%	1	C300
25-BFB228-M1X	CAP. ELEC 0.22 UF 50V +/-20%	1	C606A
25-BFB228-M1X	CAP. ELEC 0.22 UF 50V +/-20%	1	C601
25-BFB479-M1X	CAP. ELEC 4.7 UF 50V +/-20%	1	C607
25-BFB479-M1X	CAP. ELEC 4.7 UF 50V +/-20%	1	C417
25-BFB479-M1X	CAP. ELEC 4.7 UF 50V +/-20%	1	C313
26-ABC223-ZFX	CAP. CER 0.022UF 50V +80-20% F	1	C404
26-AIC221-KBX	CAP. CER 220 PF 500V +/-10% B	1	C419
26-AIC221-KBX	CAP. CER 220 PF 500V +/-10% B	1	C418
26-AIC221-KBX	CAP. CER 220 PF 500V +/-10% B	1	C401
26-AIC391-KBX	CAP. CER 390 PF 500V +/-10% B	1	C403
26-AIC472-KBX	CAP. CER 4700 PF 500V +/-10% B	1	C420
26-EBP102-KBS	CAP. CER 1000 PF 50V +/-20%	1	C337
26-EBP103-ZFX	CAP. CER 0.01UF 50V +80/-20% F	1	C407
26-EBP104-ZFS	CAP. CER 0.1UF 50V +80%/-20%	1	C604
26-EBP152-KBS	CAP. CER 1500PF 50V +/-10%	1	C350
26-EBP222-KBS	CAP. CER 2.2 NF 50V +/-10%	1	C351
26-EBP472-KBS	CAP. CER 4700PF 50V +/-10%	1	C422
27-MBC222-JOX	CAP. M. P. E 0.0022UF 63V +/-5%	1	C334
27-MBC224-JOX	CAP. M. P. E 0.22UF 63V +/-5%	1	C602
27-MBC224-JOX	CAP. M. P. E 0.22UF 63V +/-5%	1	C603
27-MBC334-JOX	CAP. M. P. E 0.33UF 63V +/-5%	1	C325
27-MCC104-JOX	CAP. M. P. E 0.1UF 100V +/-5%	1	C342
27-MCC104-JOX	CAP. M. P. E 0.1UF 100V +/-5%	1	C421
27-PBC102-JOX	CAP. P. E 0.001UF 63V +/-5%	1	C600
27-PBC102-JOX	CAP. P. E 0.001UF 63V +/-5%	1	C606
40-3290E5-LSD1X	P. C. B. LS BD	1	
41-WJ0060-B00	WIRE BARE JUMPER 6MM	1	J401
41-WJ0060-B00	WIRE BARE JUMPER 6MM	1	J301
41-WJ0060-B00	WIRE BARE JUMPER 6MM	1	J406
41-WJ0065-B00	WIRE BARE JUMPER 6.5MM	1	J612
41-WJ0065-B00	WIRE BARE JUMPER 6.5MM	1	J404
41-WJ0065-B00	WIRE BARE JUMPER 6.5MM	1	J307
41-WJ0065-B00	WIRE BARE JUMPER 6.5MM	1	J602
41-WJ0070-B00	WIRE BARE JUMPER 7MM	1	JP401
41-WJ0070-B00	WIRE BARE JUMPER 7MM	1	J608
41-WJ0075-B00	WIRE BARE JUMPER 7.5MM	1	J308
41-WJ0075-B00	WIRE BARE JUMPER 7.5MM	1	J1303
41-WJ0075-B00	WIRE BARE JUMPER 7.5MM	1	J402
41-WJ0075-B00	WIRE BARE JUMPER 7.5MM	1	J605
41-WJ0075-B00	WIRE BARE JUMPER 7.5MM	1	R282
41-WJ0080-B00	WIRE BARE JUMPER 8 MM	1	J305
41-WJ0085-B00	WIRE BARE JUMPER 8.5MM	1	J311
41-WJ0085-B00	WIRE BARE JUMPER 8.5MM	1	J312
41-WJ0085-B00	WIRE BARE JUMPER 8.5MM	1	J303
41-WJ0100-B00	WIRE BARE JUMPER 10MM	1	J310
41-WJ0100-B00	WIRE BARE JUMPER 10MM	1	J403
41-WJ0100-B00	WIRE BARE JUMPER 10MM	1	JP803
41-WJ0100-B00	WIRE BARE JUMPER 10MM	1	J302
41-WJ0100-B00	WIRE BARE JUMPER 10MM	1	J309
41-WJ0125-B00	WIRE BARE JUMPER 12.5MM	1	J604
41-WJ0125-B00	WIRE BARE JUMPER 12.5MM	1	R323
41-WJ0125-B00	WIRE BARE JUMPER 12.5MM	1	R422
41-WJ0125-B00	WIRE BARE JUMPER 12.5MM	1	J408
41-WJ0150-B00	WIRE BARE JUMPER 15MM	1	J603
41-WJ0150-B00	WIRE BARE JUMPER 15MM	1	J313
41-WJ0150-B00	WIRE BARE JUMPER 15MM	1	L402
41-WJ0150-B00	WIRE BARE JUMPER 15MM	1	J607
41-WJ0150-B00	WIRE BARE JUMPER 15MM	1	J606
41-WJ0150-B00	WIRE BARE JUMPER 15MM	1	L401
41-WJ0150-B00	WIRE BARE JUMPER 15MM	1	J405
66-343730-0B0	HOLLOW RIVET 1.6MMX3.0MMX3.2MM	4	FOR T402

PART NO.	SEPC	SINGLE QTY	LOCATION
66-343730-0B0	HOLLOW RIVET 1.6MMX3.0MMX3.2MM	1	FOR Q405
66-343730-0B0	HOLLOW RIVET 1.6MMX3.0MMX3.2MM	2	FOR L400
10-0BAV21-ABX	DIODE BAV21 (SW)	1	D706
10-0BAV21-ABX	DIODE BAV21 (SW)	1	D707
10-1N4148-ABX	DIODE 1N4148 (SWITCHING)	1	D704
10-1N4148-ABX	DIODE 1N4148 (SWITCHING)	1	D703
10-1N4148-ABX	DIODE 1N4148 (SWITCHING)	1	D702
10-1N4148-ABX	DIODE 1N4148 (SWITCHING)	1	D705
10-HS5V1B-DBX	DIODE 500MW 5.1HSB	1	D701
11-SA1015-YBX	TRANSISTOR ST2SA1015Y (PNP)	1	Q706
11-SC1815-YBX	TRANSISTOR 2SC1815-Y (NPN)	1	Q705
11-SC1815-YBX	TRANSISTOR 2SC1815-Y (NPN)	1	Q701
11-SC1815-YBX	TRANSISTOR 2SC1815-Y (NPN)	1	Q702
11-SC1815-YBX	TRANSISTOR 2SC1815-Y (NPN)	1	Q703
11-SC1815-YBX	TRANSISTOR 2SC1815-Y (NPN)	1	Q704
18-CB0100-JNX	RES. C. F. 10 OHM 1/6W +/-5%	1	R713
18-CB0101-JNX	RES. C. F. 100 OHM 1/6W +/-5%	1	R701
18-CB0101-JNX	RES. C. F. 100 OHM 1/6W +/-5%	1	R707
18-CB0102-JNX	RES. C. F. 1K OHM 1/6W +/-5%	1	R704
18-CB0102-JNX	RES. C. F. 1K OHM 1/6W +/-5%	1	R703
18-CB0103-JNX	RES. C. F. 10K OHM 1/6W +/-5%	1	R702
18-CB0122-JNX	RES. C. F. 1.2K OHM 1/6W +/-5%	1	R718
18-CB0123-JNX	RES. C. F. 12K OHM 1/6W +/-5%	1	R722
18-CB0151-JNX	RES. C. F. 150 OHM 1/6W +/-5%	1	R706
18-CB0152-JNX	RES. C. F. 1.5K OHM 1/6W +/-5%	1	R724
18-CB0152-JNX	RES. C. F. 1.5K OHM 1/6W +/-5%	1	R717
18-CB0220-JNX	RES. C. F. 22 OHM 1/6W +/-5%	1	R715
18-CB0220-JNX	RES. C. F. 22 OHM 1/6W +/-5%	1	R714
18-CB0221-JNX	RES. C. F. 220 OHM 1/6W +/-5%	1	R712
18-CB0222-JNX	RES. C. F. 2.2K OHM 1/6W +/-5%	1	R725
18-CB0223-JNX	RES. C. F. 22K OHM 1/6W +/-5%	1	R710
18-CB0273-JNX	RES. C. F. 27K OHM 1/6W +/-5%	1	R709
18-CB0471-JNX	RES. C. F. 470 OHM 1/6W +/-5%	1	R705
18-CB0561-JNX	RES. C. F. 560 OHM 1/6W +/-5%	1	R708
18-CB0682-JNX	RES. C. F. 6.8K OHM 1/6W +/-5%	1	R711
18-CB0683-JNX	RES. C. F. 68K OHM 1/6W +/-5%	1	R721
18-CB0683-JNX	RES. C. F. 68K OHM 1/6W +/-5%	1	R723
18-CD0279-JNX	RES. C. F. 2.7 OHM 1/4W +/-5%	1	R727
18-CD0279-JNX	RES. C. F. 2.7 OHM 1/4W +/-5%	1	R720
18-CD0560-JNX	RES. C. F. 56 OHM 1/4W +/-5%	1	R726
18-CD0560-JNX	RES. C. F. 56 OHM 1/4W +/-5%	1	R719
25-BCB100-M1X	CAP. ELEC 10 UF 16V +/-20%	1	C711
25-BCB101-M1X	CAP. ELEC 100 UF 16V +/-20%	1	C703
25-BCB470-M1X	CAP. ELEC 47 UF 16V +/-20%	1	C712
25-BCB470-M1X	CAP. ELEC 47 UF 16V +/-20%	1	C705
25-BCB470-M1X	CAP. ELEC 47 UF 16V +/-20%	1	C702
25-BFB229-M1X	CAP. ELEC 2.2 UF 50V +/-20%	1	C704
26-AIC472-KBX	CAP. CER 4700 PF 500V +/-10% B	1	C709
26-AIC472-KBX	CAP. CER 4700 PF 500V +/-10% B	1	C707
26-EBP101-JCS	CAP. CER 100 PF 50V +/-5%	1	C708
26-EBP101-JCS	CAP. CER 100 PF 50V +/-5%	1	C706
26-EBP103-ZFX	CAP. CER 0.01UF 50V +80/-20% F	1	C701
34-A100K0-1IX	COIL CHOKE 10 UH +/-10%	1	L701A
35-LB1005-0IX	FERR BEAD H75 (3.5X1X5)	1	L704
35-LB1005-0IX	FERR BEAD H75 (3.5X1X5)	1	L703
35-LB1005-0IX	FERR BEAD H75 (3.5X1X5)	1	L702
40-HD297P-VMF1X	P. C. B. BD	1	
41-WJ0060-B00	WIRE BARE JUMPER 6MM	1	J703
06-015W49-A001X	REMOTE CONTROLLER RC0678/00	1	
02-GND032-XX0	ASS"Y - CRT GND WIRE&HOUSE	1	
25-DFB229-M1X	CAP. ELEC 2.2 UF 50V +/-20% BP	1	FOR SP602
25-DFB229-M1X	CAP. ELEC 2.2 UF 50V +/-20% BP	1	FOR SP601
36-DEG340-XX0	DEGAUSSING COIL 3910MM	1	
36-ROT002-XX0	ROTARY COIL 600MM	1	
41-BF0300-0P2	WIRE 1007#24	1	
42-12008H-XX1	SPEAKER (120MMX120MM) 8 OHM 15W	1	SP602
42-12008H-XX1	SPEAKER (120MMX120MM) 8 OHM 15W	1	SP601
42-G3508F-XX2	SPEAKER 8 OHM 8W	1	SP601A
42-G3508F-XX2	SPEAKER 8 OHM 8W	1	SP602A

PART NO.	SEPC	SINGLE QTY	LOCATION
44-32RFLV-OR1A	32"CRT W76QEL592X018	1	CRT01
46-27264H-02X	HS 2P22 F/W 700/7MM S11-02H	1	SP601 FOR M. BD P601
46-28354H-02X	HS 2P22 F/W 810/7 TJC3-2Y	1	SP602 FOR M. BD P600
46-32273H-03X	HS 3P24 150/5 TJC3-3Y	1	FOR VM BD P703
46-33638H-02X	HS 2P22 200/5 SM-2A	1	FOR SP601
46-33638H-02X	HS 2P22 200/5 SM-2A	1	FOR SP602
46-35009H-02X	HS 2P22 320/5 SM-2Y	1	FOR SP601A,
46-35009H-02X	HS 2P22 320/5 SM-2Y	1	FOR SP602A
48-DAM002-XX0	DAMPTED SHAFT 2N-2	2	
48-LOC002-XX0	SW. DOOR LOCK PR5	1	
54-113970-0U0	PVC TUBE AWG NO. 5	0.24	FOR P604 & P605
54-114000-00X	FELT TAPE (150MMX19MMX0.3MM)	9	MTG CRT&F. CAB
54-314740-0X0	CRT FIBRE SHEET (22MMX22MMX0.8MM)	8	FOR CRT & F. CAB
54-314740-0X0	CRT FIBRE SHEET (22MMX22MMX0.8MM)	4	STICK BETWEEN CRT AND UNDERPROP
54-314740-0X0	CRT FIBRE SHEET (22MMX22MMX0.8MM)	12	FOR CRT & F. CAB.
54-343300-0X0	HEAT SHRINKABLE TUBE 3 X 0.25	0.08	FOR HI-SPEAKER
54-343300-0X0	HEAT SHRINKABLE TUBE 3 X 0.25	0.03	FOR R01
54-344960-000	WOOFER SPONGE (255MMX20MMX18MM)	2	
54-377380-000	SPONGE OF WOOFER FIXED POSITION	2	STICK ON WOOFER
55-326470-OHD	3290/2990SOUNDBOX左frontcabinet	1	
55-326480-OHD	3290/2990SOUNDBOX右frontcabinet	1	
55-326490-OHD	3290/2990SOUNDBOXBOTTOMCABINET	2	
55-3290FC-1CN9B	FRONT CABINET	1	
55-3290FD-1HN5C	FRONT DOOR	1	
56-301770-OHN5C	HOLDER DOOR	2	
56-326430-OHH9A	LENS	1	
56-3290FB-OHA50	PUSH BUTTON	1	
56-3290LS-OHC5Z	LED - SENSOR	1	
56-3290PK-OHA5C	POWER KNOB	1	
56-3290SL-1HN5C	SPEAKER GRILLE (LEFT)	1	
56-3290SR-1HN5C	SPEAKER GRILLE (RIGHT)	1	
57-10654X-00F	TWIST TIE NY66	1	FOR ROTATE COIL
57-10654X-00F	TWIST TIE NY66	4	
57-10654X-00F	TWIST TIE NY66	2	FOR P601 & P602
57-10654X-00F	TWIST TIE NY66	1	FOR DEGAUSSING
57-29635X-00F	CABLE TIES (4.8MMX160MM)	2	FOR DEGAUSSING
58-3290FI-1UI1B	INLAY FRONT CTL	1	
59-130460-00X	RUBBER PAD (25MMX7MM)	2	FOR FOOT
59-312950-000	RUBBER PAD	6	
62-200980-OHA	MOUNTING POST	2	STICK ON F. CAB
62-216340-OUN	HOLDER POWER CORD HIPS-KINGFA 113 (VO)	1	
62-216780-00I	'KCC' P. E. WIRE BINDING, L=30CM	1	FOR DEGAUSSING
62-216780-00I	'KCC' P. E. WIRE BINDING, L=30CM	1	
62-216780-00I	'KCC' P. E. WIRE BINDING, L=30CM	2	FOR DEGAUSSING
62-227680-OUA	BRACKET ABS-KINGFA 606 (UO)	1	
62-227680-1UA	FBT BRACKET	1	
62-265160-OHA	POWER SW. ADAPTOR	1	FOR POWER SWITCH
62-301750-OHN	RIGHT HOLDER(2)	1	
62-301760-OHN	LEFT HOLDER(2)	1	
62-321780-OHG	CRT COIL MTG 25"/29"	4	FOR CRT
62-326460-OHN	SPEAKER HOLDER	2	
63-B26080-AB4	S/T SCREW B 2.6 X 8 AB	2	MTG VM BD
63-B30100-BT4	S/T SCREW B 3 X 10 BT	3	MTG PUSH BOTTON TO F. CAB
63-B40150-AB4	S/T SCREW B 4 X 15 AB	8	MTG SPEAKER TO TOP CAB. (WOOFER)
63-B40150-AB4	S/T SCREW B 4 X 15 AB	8	MTG SPEAKER HOLDER TO TOP CAB. (WOOFER)
63-B40150-AB4	S/T SCREW B 4 X 15 AB	12	MTG TOP CAB. (WOOFER) TO BOTTOM CAB.
63-B40200-AB3	S/T SCREW B 4 X 20 AB	6	MTG SPEAKER HOLDER TO F. CAB
63-W30080-AB4	S/T SCREW W 3 X 8 AB	4	MTG LENS-SENOR & LED TO FRONT CABINET
63-W30100-AB4	S/T SCREW W 3 X 10 AB	3	MTG KEY BD
63-W30120-AB4	S/T SCREW W 3 X 12 AB	4	MTG HI-SPEAKER TO F. CAB
63-Z60300-AB4	S/T SCREW HA 6X30	4	MTG CRT TO F. CAB
65-A50200-20E	WASHER 5 X 20 X 2MM	6	MTG SPEAKER HOLDER TO F. CAB
67-274400-1A0AB	LOGO	1	
67-X21679-OE0	SPRING CRT 6MMX50MMX0.6MM	2	FOR CRT GROUNDING WIRE
67-X25045-OE0	SPRING KNOB	1	
49-382550-BAT	BATTERY R06P AA 1.5V 5#	2	
62-275340-OHD	PACKING HANDLE	6	
70-TEACFL-CTN9A	PROPAGANDIZE VOLUME	1	
71-310880-OA01M	LABEL	2	

PART NO.	SEPC	SINGLE QTY	LOCATION
71-TEACAU-BAR9G	LABEL	2	
71-TEACAU-RMD9A	LABEL	1	
71-TEACAU-SCR9J	LABEL	1	
71-TEACAU-SER6K	LABEL	3.995	此贴纸一式四张，有1台市场部样机不用贴贴
72-329045-E639A	OPERATION MANUAL	1	
74-022032-6WEAD	PLASTIC BAG	1	
74-160140-80HAA	POLYBAG (160CMX140CM)	1	
75-3290LL-CCO	POLYFOAM (LL)	1	
75-3290LR-CCO	POLYFOAM (LR)	1	
75-3290UL-CCO	POLYFOAM (UL)	1	
75-3290UR-CCO	POLYFOAM (UR)	1	
76-H32A90-0AT9C	CARTON BOX	1	
55-3290RC-1CN5C	REAR CABINET	1	
58-3290MP-0UI9C	PLATE MODEL NO.	1	
58-422910-3UI1A	INLAY REAR AV	1	
58-CA41RI-FUI9A	INLAY REAR AV	1	
59-344420-000	RUBBER	4	
63-B40200-AB2	S/T SCREW B 4 X 20 AB	5	MTG REAR CABINET & FRONT CABINET
63-B40300-AB2	S/T SCREW B 4 X 30 AB	2	MTG REAR CABINET & FRONT CABINET
63-F30100-BT3	S/T SCREW F 3 X 10 BT	4	MTG RCA JACK & REAR CABINET
51-JC0243-OPB01	POWER CORD	1	
63-W30080-AB4	S/T SCREW W 3 X 8 AB	2	
63-W30100-AB4	S/T SCREW W 3 X 10 AB	3	
11-SC4544-OAX	TRANSISTOR 2SC4544	1	Q531
11-SC4544-OAX	TRANSISTOR 2SC4544	1	Q511
11-SC4544-OAX	TRANSISTOR 2SC4544	1	Q521
18-BE0152-KFX	RES C.C. 1.5K OHM 1/2W +/-10%	1	R541
18-FF0330-JGX	RES. M.O. 33 OHM 1W +/-5%	1	R505
18-FG0153-JHX	RES. M.O. 15K OHM 2W +/-5%	1	R535
18-FG0153-JHX	RES. M.O. 15K OHM 2W +/-5%	1	R515
18-FG0153-JHX	RES. M.O. 15K OHM 2W +/-5%	1	R525
25-BLA100-M1X	CAP. ELEC 10 UF 250V +/-20%	1	C540
25-BLA220-M1X	CAP. ELEC 22 UF 250V +/-20%	1	C503
26-AMK102-KRX	CAP. CER 1000 PF 2KV +/-10% R	1	C505
27-AGP223-JOX	CAP. M.PP 0.022UF 250V +/-5%	1	C504
34-R100K2-1BX	COIL CHOKE 10 UH +/-10%	1	L501
46-10967W-01X	PIN BASE *1 TJC1-1A	1	P504
46-31795H-04X	HS 550 TJC3-4Y/SCN-4Y 2(N)	1	FOR P502 TO P403
46-37033H-05X	HS 5P 2468#24 320 TJC3-5Y/SCN	1	P503 PIN1 TO PIN5
47-CRT011-AXO	CRT SOCKET GZS10-208 (DR)	1	P500
45-OSC4M0-ON10A	CRYSTAL 4.0MHZ	0.02	Y2
45-OSC4M0-ON10A	CRYSTAL 4.0MHZ	0.02	Y1
63-W30100-AB4	S/T SCREW W 3 X 10 AB	3	MTG DIGITAL PCB TO CHASSIS BRACKET
54-128700-0XO	FIBRE WASHER (3.3MMX10MMX0.8MM)	1	
64-B30100-104	M/C SCREW B 3 X 10	1	MTG DPC BD & H.SINK(IC301)
65-Z30050-23M	NUT M 3	1	
10-ORU3YX-FOX	DIODE RU3YX (FAST RECTIFIER)	1	D825
10-ORU4YX-FOX	DIODE GRU4YX (FAST RECOVERY)	1	D806
10-MUR460-FOX	DIODE MUR460 (FAST RECOVERY)	1	D805
10-RS405M-H7X	DIODE ZENER RS405M (4.0A/600V)	1	DB801
11-SK3451-OCX	TRANSISTOR 2SK3451-01MR	1	Q805
13-000TL4-31T	IC TL431ACL	1	IC803
13-DA1684-62P	IC TDA16846-2 (Q67040-S4494)	1	IC801
13-PC123X-9YP	PHOTOCOUPLER PC123X9YFZ	1	IC800
18-FG0223-JHX	RES. M.O. 22K OHM 2W +/-5%	1	R817
18-FG0273-JHX	RES. M.O. 27K OHM 2W +/-5%	1	R877
18-FG0333-JHX	RES. M.O. 33K OHM 2W +/-5%	1	R816
18-KF0825-JH3	RES. H.VOLT.CC 8.2M OHM 1W +/-5%	1	R882
18-RG0228-JHX	RES. WIRE ROUND 0.22 OHM 2W +/-5%	1	J817
22-NTC479-XX0	NTC 4.7 OHM +/-18% NTC4.7D2-14	1	R821
22-PTC909-3A5	PTC 9 OHM	1	RT800
22-VDR471-XX0	VARISTOR RESISTANCE MYG-14K300	1	VR803
25-BCA222-M1X	CAP. ELEC 2200 UF 16V +/-20%	1	C846
25-BJG221-M1X	CAP. ELEC 220 UF 160V +/-20%	1	C814
25-BMJ221-M1X	CAP. ELEC 220 UF 400V +/-20%	1	C829
25-GDA102-M1X	CAP ELEC 1000UF 25V +/-20% 105	1	C815
26-ABC104-ZFX	CAP. CER 0.1 UF 50V +80-20% F	1	C837
26-AIM103-KBX	CAP. CER 0.01UF 500V +/-10% B	1	C818
26-AIM103-KBX	CAP. CER 0.01UF 500V +/-10% B	1	C824

PART NO.	SEPC	SINGLE QTY	LOCATION
26-AMK182-KRX	CAP. CER 1800PF 2KV +/-10% R	1	C836
26-AMK221-JZX	CAP. CER 220PF 2KV +/-5% SL	1	C820
26-AMK221-JZX	CAP. CER 220PF 2KV +/-5% SL	1	C827
26-APK102-ME4	CAP. CER 1000PF 400VAC +/-20% E	1	C882
26-APK471-KB4	CAP. CER 470 PF 400VAC +/-10%	1	C828A
26-APK471-KB4	CAP. CER 470 PF 400VAC +/-10%	1	C835A
26-AQK472-ZFX	CAP. CER 4700PF 250VAC +80%-20% F	1	C835
26-AQK472-ZFX	CAP. CER 4700PF 250VAC +80%-20% F	1	C828
27-AQT224-MV3	CAP. M. PP 0. 22UF 250VAV +/-20%	1	C813
27-AQT224-MV3	CAP. M. PP 0. 22UF 250VAV +/-20%	1	C822
27-MHW104-KOX	CAP. M. P. E 0. 1 UF 400V +/-10%	1	C823
27-MQ683-MOX	CAP. M. P. E 0. 068UF 250VAC +/-20%	1	C825
34-R101K2-1BX	COIL CHOKE 100 UH +/-10%	1	L804
34-R101K2-1BX	COIL CHOKE 100 UH +/-10%	1	L800
35-237250-00X	FERR. BEAD HF70 4. 5X5. 0	2	FOR D806
35-237250-00X	FERR. BEAD HF70 4. 5X5. 0	2	FOR D825
35-237250-00X	FERR. BEAD HF70 4. 5X5. 0	2	FOR D805
36-LIF002-AX0	LINE FILTER 20MH	1	T800
36-LIF002-AX0	LINE FILTER 20MH	1	T802
36-TRF164-AX0	TRANSFORMER CONV. BCK-4925	1	T801
43-TSS112-DMX	RELAY POWER SMT-SS-112DM 12V	1	D809
46-10962W-02X	PIN BASE *2 TJC2-2A	1	P803
46-28559W-02X	PIN BASE *2 TJC1-2A	1	P802
46-30214H-03X	HS UL2468 200 TJC3-3Y/SCN-3Y	1	FOR S809 TO P809
46-35184W-03X	PIN BASE *3 TJC1-3A	1	S801
46-AA015T-03F	HS 3P 1617#22 150MM TJC1-3Y*2	1	FOR S801 TO P860
46-AA035F-02F01	HS 2P 1617#22 350MM TJC1-2Y*2	1	FOR P802
46-CD030T-02001	HS 2P UL1185#24 TJC3-2Y/SCN-2Y L=300	1	S807
50-02000D-NUU	FUSE 2A 250VAC	1	R883
50-03150D-1GS1	FUSE 3. 15AT 250VAC 5MMX20MM	1	F800
50-05000D-NUU	FUSE 5A 250VAC	1	R884
57-10654X-00F	TWIST TIE NY66	3	
64-P30080-104	M/C SCREW P 3 X 8	1	FOR Q805
66-20516X-0B0	FUSE HOLDER	2	FOR F800
67-H38012-BA0	HEAT SINK	1	FOR Q805
71-DYP000-WX1	LABEL	1	FOR Q805
V8-TIDM68-03M12	SOFTWARE CODE	1	FOR IC200
18-FG0100-JHX	RES. M. O. 10 OHM 2W +/-5%	1	R1301
46-33079W-02X	PIN BASE *2 TJC3-2A	1	P1301
10-TE2515-FOX	DIODE TE2515 (FAST RECOVER)	1	D401
11-630MFP-OAX	TRANSISTOR IRF630MFP	1	Q407
11-DD3402-OAX	TRANSISTOR 3DD3402	1	Q405
13-DA7266-SAS	IC TDA7266SA	1	IC600
13-STV817-2AS	IC STV8172A	1	IC300
18-EF0109-JGX	RES. FUS. 1 OHM 1W +/-5% (LS)	1	R426
18-EF0109-JGX	RES. FUS. 1 OHM 1W +/-5% (LS)	1	R427
18-EF0339-JGX	RES. FUS. 3. 3 OHM 1W +/-5%	1	R422A
18-EGO478-JHX	RES. FUS. 0. 47 OHM 2W +/-5%	1	R423
18-EGO680-JHX	RES. FUSE 2W 68 OHM +/-5%	1	R402
18-FF0154-JGX	RES. M. O. 150K OHM 1W +/-5%	1	R435
18-FG0129-JHX	RES. M. O. 1. 2 OHM 2W +/-5%	1	R321
18-FG0181-JHX	RES. M. O. 180 OHM 2W +/-5%	1	R324
18-FG0399-JHX	RES. M. O. 3. 9 OHM 2W +/-5%	1	R420
18-FG0681-JHX	RES. M. O. 680 OHM 2W +/-5%	1	R401
18-RF0109-JGX	RES. WIRE ROUND 1 OHM 1W +/-5%	1	R313
18-RG0228-JHX	RES. WIRE ROUND 0. 22 OHM 2W +/-5%	1	R601
25-264610-M1X	CAP. ELEC 4. 7UF 50V +/-20% NP	1	C412
25-BCA102-M1X	CAP. ELEC 1000 UF 16V +/-20%	1	C403A
25-BDA471-M1X	CAP. ELEC 470 UF 25V +/-20%	1	C623
25-BEA102-M1X	CAP. ELEC 1000 UF 35V +/-20%	1	C416
25-BEA102-M1X	CAP. ELEC 1000 UF 35V +/-20%	1	C415
25-BJG221-M1X	CAP. ELEC 220 UF 160V +/-20%	1	C806
25-BLA220-M1X	CAP. ELEC 22 UF 250V +/-20%	1	C400
27-AGR334-JSX	CAP. M. PP 0. 33 UF 250V +/-5%	1	C414
27-ALR272-JOX	CAP. M. PP 0. 0027UF 1. 6KV +/-5%	1	C408
27-ALR722-JOX	CAP. M. PP 0. 0072UF 1. 6KV +/-5%	1	C410
27-ALR762-JOX	CAP. M. PP 0. 0076UF 1. 6KV +/-5%	1	C413
27-RHQ153-JOX	CAP. PP 0. 015 UF 400V +/-5%	1	C411
36-HDR031-XX0	TRANSFORMER HOR. DRIVE BCT-1213	1	T401

PART NO.	SEPC	SINGLE QTY	LOCATION
36-LIN210-XX1	COIL LINEARITY 21 UH	1	L400
36-WID472-XX1	COIL WIDTH 4.7MH TD1016A4701	1	L404
36-WID801-XX1	COIL WIDTH 8.00 UH	1	L403
37-FDA002-FBA1A	FBT BSC29-0185X	1	T402
46-12866W-02X	PIN BASE *2 S11-02Y	1	P601
46-20598W-04X	PIN BASE *4 TJC1-4A	1	FOR P411
46-28242H-02X	HS 2P24 F/W 120 TJC3-2Y/SCN-2Y	1	FOR S407 TO P407
46-33079W-02X	PIN BASE *2 TJC3-2A	1	P600
46-33079W-04X	PIN BASE *4 TJC3-4A	1	P403
46-33079W-04X	PIN BASE *4 TJC3-4A	1	P401
46-37034H-06X	HS 6P 2468#24 200 TJC3-6Y/SCN	1	FOR S406 TO P406
46-CD005T-04J	HS 4P 2468#24 50MM TJC3-4Y/TJC3-4Y	1	FOR S405 TO P405
46-CD005T-05J	HS 5P 2468#24 50MM TJC3-4Y/TJC3-4Y	1	FOR S603 TO P603
46-CD005T-06J	HS 6P 2468#24 50MM TJC3-6Y/TJC3-6Y	1	FOR S810 TO P810
63-B30100-AB3	S/T SCREW B 3 X 10 AB	1	FOR Q407
63-B30100-AB4	S/T SCREW B 3 X 10 AB	2	FOR IC600
63-W30100-AB4	S/T SCREW W 3 X 10 AB	3	MTG MAIN BD TO MAIN BD BRACKET
64-P30080-104	M/C SCREW P 3 X 8	1	FOR Q405
64-P30080-104	M/C SCREW P 3 X 8	1	FOR IC300
65-Z30050-23M	NUT M 3	1	FOR IC300
65-Z30050-23M	NUT M 3	1	FOR Q405
67-H30147-0A0	HEAT SINK	1	FOR Q405
67-H30179-7A0	HEAT SINK	1	FOR IC300
67-H40067-2A0	STANDARD HEAT SINK	1	FOR Q407
67-H41341-3A0	HEAT SINK	1	FOR IC600
67-M40068-1E4	CRT BRACKET	1	FOR Q407
67-M41117-0E4	BRACKET	1	FOR IC600
70-271510-00A	SERVICE CARD	1	FOR PRODUCTION USE
71-270870-0A9	LABEL	2	
07-389FI5-NC3G	TUNER UV1316T/A LG-3	1	TU100
11-2SD882-0AX	TRANSISTOR 2SD882-P (NPN)	1	Q080
13-00M24C-16P	IC 16K EEPROM M24C16 (WRITE)	1	IC001
18-FF0109-JGX	RES. M. O. 1 OHM 1W +/-5%	1	R213
18-FF0109-JGX	RES. M. O. 1 OHM 1W +/-5%	1	R213A
18-FG0100-JHX	RES. M. O. 10 OHM 2W +/-5%	1	R059
18-FG0100-JHX	RES. M. O. 10 OHM 2W +/-5%	1	R015
41-BF0150-2BB	WIRE UL 1007 #24 150MM RED	1	A TO A
41-PG0250-ORR	CABLE 75/250 ANGLE 90 RCA PLUG	1	FOR TU100
45-OSC24M-5N0	CRYSTAL 24.576 MHZ	1	Z200
45-SAWK39-53D	S. A. W B39389-K3953-N201	1	Z100
45-SAWK94-53D	S. A. W B39389-K9453-N201	1	Z101
46-10967W-01X	PIN BASE *1 TJC1-1A	1	G1
46-33079W-02X	PIN BASE *2 TJC3-2A	1	P407
46-33079W-03X	PIN BASE *3 TJC3-3A	1	P201
46-33079W-04X	PIN BASE *4 TJC3-4A	1	P003
46-33079W-04X	PIN BASE *4 TJC3-4A	1	P405
46-33079W-05X	PIN BASE *5 TJC3-5A	1	P202
46-33079W-05X	PIN BASE *5 TJC3-5A	1	P603
46-33079W-05X	PIN BASE *5 TJC3-5A	1	P001
46-33079W-06X	PIN BASE *6 TJC3-6A	1	P406
46-33079W-06X	PIN BASE *6 TJC3-6A	1	P810
46-33079W-07X	PIN BASE *7 TJC3-7A	1	P200
46-CD025T-06001	HS 6P UL2405#24 TJC3-6Y/SCN-6P L=250	1	P008
46-CD030T-03M	HS 3P UL2547#26 TJC3-3Y/SCN-3Y L=300	1	P209
46-CD030T-04G	HS 4P UL1185#26 TJC3-4Y/SCN-4Y L=300	1	P921
47-RCA023-XX1	RCA JACK 3 PV YEL WHI RED/SW	1	P902
47-RCA023-XX1	RCA JACK 3 PV YEL WHI RED/SW	1	P900
47-RCA089-XX0	RCA SOCKET AV-3. 2-3LK-N2	1	P904
62-411300-0UN	BRACKET	1	
63-W30100-AB4	S/T SCREW W 3 X 10 AB	6	
64-P30080-104	M/C SCREW P 3 X 8	1	FOR Q080
67-H10918-4M2	HEAT SINK	1	FOR Q080
63-W30100-AB4	S/T SCREW W 3 X 10 AB	4	
40-3290A5-FVB1X	P. C. B. FRONT AV BD	1	
46-39136H-07X	7P 2468#24/1185#26 550 TJC3-7Y/SCN-7Y	1	P961 FOR M. BD P200
47-RCA162-XX0	RCA SOCKET AV-3. 2-3WK-046	1	P941
47-SVI002-XX1	Y/C SOCKET DSW-13 (VERTICAL TYPE)	1	P951
27-MHM104-K0X	CAP. M. P. E 0.1 UF 400V +/-10%	1	C1503
27-MHM104-K0X	CAP. M. P. E 0.1 UF 400V +/-10%	1	C1502

PART NO.	SEPC	SINGLE QTY	LOCATION
27-MHM104-KOX	CAP. M. P. E 0.1 UF 400V +/-10%	1	C1504
27-MHM104-KOX	CAP. M. P. E 0.1 UF 400V +/-10%	1	C1505
27-RHQ563-JOX	CAP. PP 0.056 UF 400V +/-5%	1	C1501
36-WID242-XX1	COIL CHOKE 2.4 MH	1	L1502
36-WID920-XX1	COIL WIDTH 92 UH	1	L1501
40-2975MT-DPA	P. C. B. DPC BD	1	
41-BF0220-3BB	WIRE UL 1007 #24 220MM ORG.	1	FOR "A" TO "A2" (M. BD)
41-BF0220-8BB	WIRE UL 1007 #24 220MM GREY	1	FOR "B" TO "A1" (M. BD)
41-BF0220-9BB	WIRE UL 1007 #24 220MM WHITE	1	FOR "C" TO "A3" (M. BD)
02-IRR001-XX1	IR RECEIVER MODULE HRM380017	1	IR001
14-LED03R-XX1	LED RED Φ 3MM F0203	1	D001
25-BCB470-M1X	CAP. ELEC 47 UF 16V +/-20%	1	C001
46-39161H-05X	HS 5P 2468#24 400MM TJC3-5Y/JC25-5Y	1	P001
48-TAC001-XX0	TACT SWITCH	1	K002
48-TAC001-XX0	TACT SWITCH	1	K004
48-TAC001-XX0	TACT SWITCH	1	K003
48-TAC001-XX0	TACT SWITCH	1	K007
48-TAC001-XX0	TACT SWITCH	1	K006
48-TAC001-XX0	TACT SWITCH	1	K008
48-TAC001-XX0	TACT SWITCH	1	K005
11-SC1815-YBX	TRANSISTOR 2SC1815-Y (NPN)	1	Q861
13-TEA152-OPP	IC TEA1520P	1	IC860
22-NTC509-XX0	NTC S236-5.0M	1	RT860
25-BCA102-M1X	CAP. ELEC 1000 UF 16V +/-20%	1	C866
25-BCA471-M1X	CAP. ELEC 470 UF 16V +/-20%	1	C868
25-BFB109-M1X	CAP. ELEC 1 UF 50V +/-20%	1	C893
25-BMG220-M1X	CAP. ELEC 22UF 400V +/-20%	1	C861
26-ABC104-ZFX	CAP. CER 0.1 UF 50V +80-20% F	1	C867
26-ABC104-ZFX	CAP. CER 0.1 UF 50V +80-20% F	1	C862
26-AIC221-KBX	CAP. CER 220 PF 500V +/-10% B	1	C869
26-AIM103-KBX	CAP. CER 0.01UF 500V +/-10% B	1	C860
26-APK101-KBX	CAP. CER 100 PF 400VAC +/-10%	1	C890
26-APK102-ME4	CAP. CER 1000PF 400VAC +/-20% E	1	C894
27-MBC104-JOX	CAP. M. P. E 0.1 UF 63V +/-5%	1	C864
34-R101K2-1BX	COIL CHOKE 100 UH +/-10%	1	L861
36-TRF165-AX0	TRANSFORMER CONV. BCK-1917	1	T860
43-MITSH1-5DX	RELAY SMIT-SH-105PM	1	K860
46-33079W-03X	PIN BASE *3 TJC3-3A	1	P809
46-35184W-03X	PIN BASE *3 TJC1-3A	1	P860
63-B30100-AB4	S/T SCREW B 3 X 10 AB	2	
40-3290A5-SWA1X	P. C. B. SWITCH BD	1	
46-28559W-02X	PIN BASE *2 TJC1-2A	1	P801
46-28559W-02X	PIN BASE *2 TJC1-2A	1	P802
48-POW001-AX0	SWITCH POWER	1	SW801
11-SA1837-OAX	TRANSISTOR 2SA1837	1	Q707
11-SC4793-OAX	STANSISTOR 2SC4793	1	Q708
18-FF0331-JGX	RES. M. O. 330 OHM 1W +/-5%	1	R716
18-FG0101-JHX	RES. M. O. 100 OHM 2W +/-5%	1	R728
25-BJA100-M1X	CAP. ELEC 10 UF 160V +/-20%	1	C713
25-BJA100-M1X	CAP. ELEC 10 UF 160V +/-20%	1	C710
26-AIC560-JZX	CAP. CER 56 PF 500V +/-5% SL	1	C714
46-32537H-03X	HS 3P24 400 TJC3-3Y/SCN-3Y	1	P701A FOR M. BD S701
46-33079W-03X	PIN BASE *3 TJC3-3A	1	P703 FOR CRT VM
46-33624H-04X	HS 3P 2468#24 270 TJC3-4Y/SCN-4Y	1	P702
64-B30080-104	M/C SCREW B 3 X 8	2	FOR Q707 & Q708
67-H34464-1A0	HEAT SINK (H=40MM)	2	FOR Q707 & Q708
10-1N4004-EBX	DIODE 1N4004 (RECTIFIER)	1	D540
10-1N4148-ABX	DIODE 1N4148 (SWITCHING)	1	D531
10-1N4148-ABX	DIODE 1N4148 (SWITCHING)	1	D521
10-1N4148-ABX	DIODE 1N4148 (SWITCHING)	1	D511
11-0BF422-OBX	TRANSISTOR BF422 (NPN) 126	1	Q522
11-0BF422-OBX	TRANSISTOR BF422 (NPN) 126	1	Q512
11-0BF422-OBX	TRANSISTOR BF422 (NPN) 126	1	Q532
11-0BF423-OBX	TRANSISTOR BF423 (PNP) 126	1	Q533
11-0BF423-OBX	TRANSISTOR BF423 (PNP) 126	1	Q523
11-0BF423-OBX	TRANSISTOR BF423 (PNP) 126	1	Q513
18-CD0102-JNX	RES. C. F. 1K OHM 1/4W +/-5%	1	R501
18-CD0225-JNX	RES. C. F. 2.2M OHM 1/4W +/-5%	1	R540
18-CD0470-JNX	RES. C. F. 47 OHM 1/4W +/-5%	1	R502

PART NO.	SEPC	SINGLE QTY	LOCATION
18-CD0471-JNX	RES. C. F. 470 OHM 1/4W +/-5%	1	R538
18-CD0471-JNX	RES. C. F. 470 OHM 1/4W +/-5%	1	R536
18-CD0471-JNX	RES. C. F. 470 OHM 1/4W +/-5%	1	R528
18-CD0471-JNX	RES. C. F. 470 OHM 1/4W +/-5%	1	R526
18-CD0471-JNX	RES. C. F. 470 OHM 1/4W +/-5%	1	R518
18-CD0471-JNX	RES. C. F. 470 OHM 1/4W +/-5%	1	R516
18-FE0102-JNX	RES. M. O. 1K OHM 1/2W +/-5%	1	R519
18-FE0102-JNX	RES. M. O. 1K OHM 1/2W +/-5%	1	R529
18-FE0102-JNX	RES. M. O. 1K OHM 1/2W +/-5%	1	R539
41-WJ0050-B00	WIRE BARE JUMPER 5MM	1	J504
41-WJ0125-B00	WIRE BARE JUMPER 12.5MM	1	J503
10-1N4148-ABX	DIODE 1N4148 (SWITCHING)	1	D100
10-1N4148-ABX	DIODE 1N4148 (SWITCHING)	1	D007
10-1N4148-ABX	DIODE 1N4148 (SWITCHING)	1	D006
10-1N4148-ABX	DIODE 1N4148 (SWITCHING)	1	D008
10-1N4148-ABX	DIODE 1N4148 (SWITCHING)	1	D005
10-79C2V4-DBX	DIODE ZENER 2V4 1/2W 5%	1	D004
10-79C33V-DBX	DIODE ZENER 33V 1/2W 5%	1	D102
10-79C3V9-DBX	DIODE ZENER 3V9 1/2W 5%	1	D003
10-79C5V1-DBX	DIODE ZENER 5V1 1/2W 5%	1	D080
10-79C5V6-DBX	DIODE ZENER 5V6 1/2W 5%	1	D906
10-79C5V6-DBX	DIODE ZENER 5V6 1/2W 5%	1	D902
10-79C5V6-DBX	DIODE ZENER 5V6 1/2W 5%	1	D905
10-79C5V6-DBX	DIODE ZENER 5V6 1/2W 5%	1	D904
10-79C5V6-DBX	DIODE ZENER 5V6 1/2W 5%	1	D901
10-79C5V6-DBX	DIODE ZENER 5V6 1/2W 5%	1	D903
10-79C5V6-DBX	DIODE ZENER 5V6 1/2W 5%	1	D907
10-79C5V6-DBX	DIODE ZENER 5V6 1/2W 5%	1	D204
10-79C5V6-DBX	DIODE ZENER 5V6 1/2W 5%	1	D900
11-OBC327-CBX	TRANSISTOR BC327-40	1	Q202
11-OBC327-CBX	TRANSISTOR BC327-40	1	Q201
11-SA1015-YBX	TRANSISTOR 2SA1015Y (PNP)	1	Q204
11-SC1815-YBX	TRANSISTOR 2SC1815-Y (NPN)	1	Q002
11-SC3779-DBX	TRANSISTOR 2SC3779D (RF AMPL)	1	Q101
18-CB0101-JNX	RES. C. F. 100 OHM 1/6W +/-5%	1	R035
18-CB0101-JNX	RES. C. F. 100 OHM 1/6W +/-5%	1	R026
18-CB0101-JNX	RES. C. F. 100 OHM 1/6W +/-5%	1	R043
18-CB0101-JNX	RES. C. F. 100 OHM 1/6W +/-5%	1	R041
18-CB0101-JNX	RES. C. F. 100 OHM 1/6W +/-5%	1	R209
18-CB0101-JNX	RES. C. F. 100 OHM 1/6W +/-5%	1	R208
18-CB0101-JNX	RES. C. F. 100 OHM 1/6W +/-5%	1	R207
18-CB0101-JNX	RES. C. F. 100 OHM 1/6W +/-5%	1	R036
18-CB0101-JNX	RES. C. F. 100 OHM 1/6W +/-5%	1	R025
18-CB0102-JNX	RES. C. F. 1K OHM 1/6W +/-5%	1	R215
18-CB0102-JNX	RES. C. F. 1K OHM 1/6W +/-5%	1	R022
18-CB0102-JNX	RES. C. F. 1K OHM 1/6W +/-5%	1	R203
18-CB0102-JNX	RES. C. F. 1K OHM 1/6W +/-5%	1	R202
18-CB0103-JNX	RES. C. F. 10K OHM 1/6W +/-5%	1	R030
18-CB0103-JNX	RES. C. F. 10K OHM 1/6W +/-5%	1	R262
18-CB0181-JNX	RES. C. F. 180 OHM 1/6W +/-5%	1	R014
18-CB0221-JNX	RES. C. F. 220 OHM 1/6W +/-5%	1	R234
18-CB0221-JNX	RES. C. F. 220 OHM 1/6W +/-5%	1	R233
18-CB0221-JNX	RES. C. F. 220 OHM 1/6W +/-5%	1	R236
18-CB0222-JNX	RES. C. F. 2.2K OHM 1/6W +/-5%	1	R033
18-CB0330-JNX	RES. C. F. 33 OHM 1/6W +/-5%	1	L201
18-CB0363-JNX	RES. C. F. 36K OHM 1/6W +/-5%	1	R200
18-CB0393-JNX	RES. C. F. 39K OHM 1/6W +/-5%	1	R206
18-CB0394-JNX	RES. C. F. 390K OHM 1/6W +/-5%	1	J927
18-CB0471-JNX	RES. C. F. 470 OHM 1/6W +/-5%	1	R110
18-CB0472-JNX	CARBON RES. C. F. 4.7K OHM 1/6W +/-5%	1	R211
18-CB0681-JNX	RES. C. F. 680 OHM 1/6W +/-5%	1	R205
18-CB0750-JNX	RES. C. F. 75 OHM 1/6W +/-5%	1	R910
25-BBB101-M1X	CAP. ELEC 100 UF 10V +/-20%	1	C103
25-BBB101-M1X	CAP. ELEC 100 UF 10V +/-20%	1	C223
25-BCB100-M1X	CAP. ELEC 10 UF 16V +/-20%	1	C225
25-BCB100-M1X	CAP. ELEC 10 UF 16V +/-20%	1	C219
25-BCB100-M1X	CAP. ELEC 10 UF 16V +/-20%	1	C212
25-BCB100-M1X	CAP. ELEC 10 UF 16V +/-20%	1	C208
25-BCB100-M1X	CAP. ELEC 10 UF 16V +/-20%	1	C200

PART NO.	SEPC	SINGLE QTY	LOCATION
25-BCB100-M1X	CAP. ELEC 10 UF 16V +/-20%	1	C019
25-BCB100-M1X	CAP. ELEC 10 UF 16V +/-20%	1	C227
25-BCB100-M1X	CAP. ELEC 10 UF 16V +/-20%	1	C241
25-BCB100-M1X	CAP. ELEC 10 UF 16V +/-20%	1	C250
25-BCB100-M1X	CAP. ELEC 10 UF 16V +/-20%	1	C904
25-BCB100-M1X	CAP. ELEC 10 UF 16V +/-20%	1	C905
25-BCB101-M1X	CAP. ELEC 100 UF 16V +/-20%	1	C006
25-BCB101-M1X	CAP. ELEC 100 UF 16V +/-20%	1	C010
25-BCB101-M1X	CAP. ELEC 100 UF 16V +/-20%	1	C013
25-BCB330-M1X	CAP. ELEC 33 UF 16V +/-20%	1	C253
25-BCB470-M1X	CAP. ELEC 47 UF 16V +/-20%	1	C262
25-BCB470-M1X	CAP. ELEC 47 UF 16V +/-20%	1	C240
25-BCB470-M1X	CAP. ELEC 47 UF 16V +/-20%	1	C024
25-BDB470-M1X	CAP. ELEC 47 UF 25V +/-20%	1	C258A
25-BFB100-M1X	CAP. ELEC 10 UF 50V +/-20%	1	C100
25-BFB108-M1X	CAP. ELEC 0.1 UF 50V +/-20%	1	C231
25-BFB109-M1X	CAP. ELEC 1 UF 50V +/-20%	1	C234
25-BFB109-M1X	CAP. ELEC 1 UF 50V +/-20%	1	C918
25-BFB109-M1X	CAP. ELEC 1 UF 50V +/-20%	1	C911
25-BFB229-M1X	CAP. ELEC 2.2 UF 50V +/-20%	1	C237
25-BFB229-M1X	CAP. ELEC 2.2 UF 50V +/-20%	1	C919
25-BFB229-M1X	CAP. ELEC 2.2 UF 50V +/-20%	1	C917
25-BFB229-M1X	CAP. ELEC 2.2 UF 50V +/-20%	1	C265
25-BFB229-M1X	CAP. ELEC 2.2 UF 50V +/-20%	1	C266
25-BFB229-M1X	CAP. ELEC 2.2 UF 50V +/-20%	1	C025
25-BFB229-M1X	CAP. ELEC 2.2 UF 50V +/-20%	1	C203
25-BFB229-M1X	CAP. ELEC 2.2 UF 50V +/-20%	1	C234A
25-BFB229-M1X	CAP. ELEC 2.2 UF 50V +/-20%	1	C236
25-BFB470-M1X	CAP. ELEC 47 UF 50V +/-20%	1	C105
25-GFB229-K1X	CAP. ELEC 2.2 UF 50V +/-10%	1	C215
26-EBP104-ZFS	CAP. CER 0.1UF 50V +80%/-20%	1	C017
27-MBC154-JOX	CAP. M. P. E. 0.15UF 63V +/-5%	1	C206
27-MBC224-JOX	CAP. M. P. E 0.22UF 63V +/-5%	1	C028
27-MBC224-JOX	CAP. M. P. E 0.22UF 63V +/-5%	1	C022
34-A100K0-1IX	COIL CHOKE 10 UH +/-10%	1	L207
34-A100K0-1IX	COIL CHOKE 10 UH +/-10%	1	L206
34-A100K0-1IX	COIL CHOKE 10 UH +/-10%	1	L205
34-A100K0-1IX	COIL CHOKE 10 UH +/-10%	1	L208
34-A100K0-1IX	COIL CHOKE 10 UH +/-10%	1	L209
34-A100K0-1IX	COIL CHOKE 10 UH +/-10%	1	L001
34-A100K0-1IX	COIL CHOKE 10 UH +/-10%	1	L210
34-A100K0-1IX	COIL CHOKE 10 UH +/-10%	1	L204
34-A100K0-1IX	COIL CHOKE 10 UH +/-10%	1	L203
34-A100K0-1IX	COIL CHOKE 10 UH +/-10%	1	L002
34-A100K0-1IX	COIL CHOKE 10 UH +/-10%	1	L003
34-A100K0-1IX	COIL CHOKE 10 UH +/-10%	1	L004
34-A100K0-1IX	COIL CHOKE 10 UH +/-10%	1	L101
34-A100K0-1IX	COIL CHOKE 10 UH +/-10%	1	L200
34-A109K0-1IX	COIL CHOKE 1 UH +/-10%	1	L102
34-A109K0-1IX	COIL CHOKE 1 UH +/-10%	1	L202
34-A109K0-1IX	COIL CHOKE 1 UH +/-10%	1	L211
40-00UOC3-MAF1X	P. C. B MAIN BD	1	
41-WJ0050-B00	WIRE BARE JUMPER 5MM	1	J260
41-WJ0055-B00	WIRE BARE JUMPER 5.5 MM	1	J903
41-WJ0055-B00	WIRE BARE JUMPER 5.5 MM	1	J902
41-WJ0060-B00	WIRE BARE JUMPER 6MM	1	J209
41-WJ0060-B00	WIRE BARE JUMPER 6MM	1	J920
41-WJ0060-B00	WIRE BARE JUMPER 6MM	1	J227
41-WJ0060-B00	WIRE BARE JUMPER 6MM	1	J215
41-WJ0065-B00	WIRE BARE JUMPER 6.5MM	1	J109
41-WJ0065-B00	WIRE BARE JUMPER 6.5MM	1	J107
41-WJ0065-B00	WIRE BARE JUMPER 6.5MM	1	J221
41-WJ0065-B00	WIRE BARE JUMPER 6.5MM	1	J111
41-WJ0065-B00	WIRE BARE JUMPER 6.5MM	1	J256
41-WJ0065-B00	WIRE BARE JUMPER 6.5MM	1	J255
41-WJ0075-B00	WIRE BARE JUMPER 7.5MM	1	J210
41-WJ0075-B00	WIRE BARE JUMPER 7.5MM	1	J082
41-WJ0075-B00	WIRE BARE JUMPER 7.5MM	1	J232
41-WJ0075-B00	WIRE BARE JUMPER 7.5MM	1	J223

PART NO.	SEPC	SINGLE QTY	LOCATION
41-WJ0075-B00	WIRE BARE JUMPER 7.5MM	1	J926
41-WJ0080-B00	WIRE BARE JUMPER 8 MM	1	J219
41-WJ0080-B00	WIRE BARE JUMPER 8 MM	1	J929
41-WJ0085-B00	WIRE BARE JUMPER 8.5MM	1	J248
41-WJ0085-B00	WIRE BARE JUMPER 8.5MM	1	J236
41-WJ0085-B00	WIRE BARE JUMPER 8.5MM	1	J229
41-WJ0085-B00	WIRE BARE JUMPER 8.5MM	1	J222
41-WJ0085-B00	WIRE BARE JUMPER 8.5MM	1	J217
41-WJ0085-B00	WIRE BARE JUMPER 8.5MM	1	J216
41-WJ0085-B00	WIRE BARE JUMPER 8.5MM	1	J113
41-WJ0085-B00	WIRE BARE JUMPER 8.5MM	1	J112
41-WJ0085-B00	WIRE BARE JUMPER 8.5MM	1	J104
41-WJ0090-B00	WIRE BARE JUMPER 9MM	1	J904
41-WJ0095-B00	WIRE BARE JUMPER 9.5MM	1	J224
41-WJ0100-B00	WIRE BARE JUMPER 10MM	1	J083
41-WJ0100-B00	WIRE BARE JUMPER 10MM	1	J204
41-WJ0100-B00	WIRE BARE JUMPER 10MM	1	J202
41-WJ0100-B00	WIRE BARE JUMPER 10MM	1	J218
41-WJ0100-B00	WIRE BARE JUMPER 10MM	1	J220
41-WJ0100-B00	WIRE BARE JUMPER 10MM	1	J201
41-WJ0100-B00	WIRE BARE JUMPER 10MM	1	J928
41-WJ0100-B00	WIRE BARE JUMPER 10MM	1	J921
41-WJ0100-B00	WIRE BARE JUMPER 10MM	1	J914
41-WJ0100-B00	WIRE BARE JUMPER 10MM	1	J913
41-WJ0100-B00	WIRE BARE JUMPER 10MM	1	J206
41-WJ0110-B00	WIRE BARE JUMPER 11MM	1	J225
41-WJ0110-B00	WIRE BARE JUMPER 11MM	1	J108
41-WJ0110-B00	WIRE BARE JUMPER 11MM	1	J228
41-WJ0115-B00	WIRE BARE JUMPER 11.5MM	1	J203
41-WJ0115-B00	WIRE BARE JUMPER 11.5MM	1	J916
41-WJ0115-B00	WIRE BARE JUMPER 11.5MM	1	J208
41-WJ0115-B00	WIRE BARE JUMPER 11.5MM	1	J207
41-WJ0115-B00	WIRE BARE JUMPER 11.5MM	1	J917
41-WJ0125-B00	WIRE BARE JUMPER 12.5MM	1	J240
41-WJ0125-B00	WIRE BARE JUMPER 12.5MM	1	J254
41-WJ0125-B00	WIRE BARE JUMPER 12.5MM	1	J922
41-WJ0125-B00	WIRE BARE JUMPER 12.5MM	1	J923
41-WJ0125-B00	WIRE BARE JUMPER 12.5MM	1	J924
41-WJ0130-B00	WIRE BARE JUMPER 13MM	1	J238
41-WJ0135-B00	WIRE BARE JUMPER 13.5MM	1	J205
41-WJ0145-B00	WIRE BARE JUMPER 14.5MM	1	J915
41-WJ0145-B00	WIRE BARE JUMPER 14.5MM	1	J237
41-WJ0145-B00	WIRE BARE JUMPER 14.5MM	1	J912
41-WJ0150-B00	WIRE BARE JUMPER 15MM	1	R012
41-WJ0150-B00	WIRE BARE JUMPER 15MM	1	J250
41-WJ0150-B00	WIRE BARE JUMPER 15MM	1	J226
41-WJ0155-B00	WIRE BARE JUMPER 15.5MM	1	J906
41-WJ0160-B00	WIRE BARE JUMPER 16MM	1	J247
41-WJ0165-B00	WIRE BARE JUMPER 16.5MM	1	J910
41-WJ0165-B00	WIRE BARE JUMPER 16.5MM	1	J907
41-WJ0165-B00	WIRE BARE JUMPER 16.5MM	1	J908
41-WJ0165-B00	WIRE BARE JUMPER 16.5MM	1	J909
41-WJ0170-B00	WIRE BARE JUMPER 17MM	1	J211
41-WJ0175-B00	WIRE BARE JUMPER 17.5MM	1	J105
41-WJ0185-B00	WIRE BARE JUMPER 18.5MM	1	J253
41-WJ0185-B00	WIRE BARE JUMPER 18.5MM	1	J911
41-WJ0195-B00	WIRE BARE JUMPER 19.5MM	1	J249
V8-TDTP8-36M01	Software conjecture module	1	FOR U5
19-BB0100-JTX	RES. SMD 10 OHM 1/10W +/-5%	1	R514
19-BB0100-JTX	RES. SMD 10 OHM 1/10W +/-5%	1	R534
19-BB0100-JTX	RES. SMD 10 OHM 1/10W +/-5%	1	R524
19-BB0103-JTX	SMD. RES 10K OHM 1/10W +/-5%	1	R512
19-BB0103-JTX	SMD. RES 10K OHM 1/10W +/-5%	1	R522
19-BB0103-JTX	SMD. RES 10K OHM 1/10W +/-5%	1	R532
19-BB0271-JTX	SMD. RES 270 OHM 1/10W +/-5%	1	R513
19-BB0271-JTX	SMD. RES 270 OHM 1/10W +/-5%	1	R523
19-BB0271-JTX	SMD. RES 270 OHM 1/10W +/-5%	1	R533
19-BB0470-JTX	SMD. RES 47 OHM 1/10W +/-5%	1	R521
19-BB0470-JTX	SMD. RES 47 OHM 1/10W +/-5%	1	R531

PART NO.	SEPC	SINGLE QTY	LOCATION
19-BB0470-JTX	SMD. RES 47 OHM 1/10W +/-5%	1	R511
19-BB0561-JTX	SMD. RES 560 OHM 1/10W +/-5%	1	R517
19-BB0561-JTX	SMD. RES 560 OHM 1/10W +/-5%	1	R537
19-BB0561-JTX	SMD. RES 560 OHM 1/10W +/-5%	1	R527
28-BB0271-JCX	SMD. CAP 270 PF 50V +/-5%	1	C521
28-BB0331-JCX	SMD. CAP 330 PF 50V C 0805	1	C531
28-BB0331-JCX	SMD. CAP 330 PF 50V C 0805	1	C511
28-BL0102-KBX	SMD. CAP 1000PF 250V +/-10%	1	C512
28-BL0102-KBX	SMD. CAP 1000PF 250V +/-10%	1	C522
28-BL0102-KBX	SMD. CAP 1000PF 250V +/-10%	1	C532
09-55C5V1-DTX	SMD. DIODE BZV55-C5V1	1	D1
09-FM5817-STX	SMD. DIODE FM5817	1	D6
09-FM5817-STX	SMD. DIODE FM5817	1	D4
09-FM5817-STX	SMD. DIODE FM5817	1	D5
12-BC847A-OBX	SMD TRANSISTOR BC847A (NPN)	1	Q1
12-BSH103-OBX	MOS TRANSISTOR BSH103	1	U14
12-BSH103-OBX	MOS TRANSISTOR BSH103	1	U15
13-OLM393-MOB	IC LM393M	1	U20
13-1117DT-18B	IC LD1117DT18 [DPAK]	1	U28
13-303LSN-29B	IC NCP303LSN29T1G	1	U16
13-4S2816-75B	128M SDRAM K4S281632F-TC75	1	U3
13-A1334A-TSB	IC UDA1334ATS	1	U6
13-LD1117-50B	5.0V IC LD1117S50	1	U32
13-LD1117-50B	5.0V IC LD1117S50	1	U30
13-M24C64-W6B	IC 64K EEPROM M24C64-WM6	1	U17
13-MAX232-CSB	IC MAX232 CSE	1	U19
13-MAX232-CSB	IC MAX232 CSE	1	U18
13-MC3406-3AB	IC MC34063AD (SO-8)	1	U29
13-MC3406-3AB	IC MC34063AD (SO-8)	1	U31
13-MC3406-3AB	IC MC34063AD (SO-8)	1	U27
13-P10046-HTB	IC TDA10046HT	1	U22
13-P8314H-S0B	SDTV PROCESSOR PNX8314HS/102	1	U38
13-W320EB-70B	32MBIT FLASH M29W320EB-70N	1	U5(此IC需预先抄写好数据后再贴片)
19-AB0000-JTX	RES SMD 0 OHM 1/10W +/-5% 0603	1	R234
19-AB0000-JTX	RES SMD 0 OHM 1/10W +/-5% 0603	1	R209
19-AB0000-JTX	RES SMD 0 OHM 1/10W +/-5% 0603	1	R30
19-AB0000-JTX	RES SMD 0 OHM 1/10W +/-5% 0603	1	R27
19-AB0000-JTX	RES SMD 0 OHM 1/10W +/-5% 0603	1	R253
19-AB0000-JTX	RES SMD 0 OHM 1/10W +/-5% 0603	1	R250
19-AB0000-JTX	RES SMD 0 OHM 1/10W +/-5% 0603	1	R142
19-AB0000-JTX	RES SMD 0 OHM 1/10W +/-5% 0603	0.035	R13
19-AB0000-JTX	RES SMD 0 OHM 1/10W +/-5% 0603	1	R21
19-AB0000-JTX	RES SMD 0 OHM 1/10W +/-5% 0603	1	R46
19-AB0000-JTX	RES SMD 0 OHM 1/10W +/-5% 0603	1	R16
19-AB0101-JTX	RES SMD 100 OHM 1/10W 0603	1	R128
19-AB0101-JTX	RES SMD 100 OHM 1/10W 0603	1	R127
19-AB0101-JTX	RES SMD 100 OHM 1/10W 0603	1	R48
19-AB0101-JTX	RES SMD 100 OHM 1/10W 0603	1	R179
19-AB0101-JTX	RES SMD 100 OHM 1/10W 0603	1	R180
19-AB0101-JTX	RES SMD 100 OHM 1/10W 0603	1	R181
19-AB0101-JTX	RES SMD 100 OHM 1/10W 0603	1	R183
19-AB0101-JTX	RES SMD 100 OHM 1/10W 0603	1	R185
19-AB0101-JTX	RES SMD 100 OHM 1/10W 0603	1	R186
19-AB0101-JTX	RES SMD 100 OHM 1/10W 0603	1	R39
19-AB0101-JTX	RES SMD 100 OHM 1/10W 0603	1	R239
19-AB0101-JTX	RES SMD 100 OHM 1/10W 0603	1	R135
19-AB0101-JTX	RES SMD 100 OHM 1/10W 0603	1	R140
19-AB0102-JTX	RES SMD 1K OHM 1/10W 0603	1	R41
19-AB0102-JTX	RES SMD 1K OHM 1/10W 0603	1	R37
19-AB0102-JTX	RES SMD 1K OHM 1/10W 0603	1	R34
19-AB0102-JTX	RES SMD 1K OHM 1/10W 0603	1	R167
19-AB0102-JTX	RES SMD 1K OHM 1/10W 0603	1	R141
19-AB0103-JTX	RES SMD 10K OHM 1/10W 0603	1	R134
19-AB0103-JTX	RES SMD 10K OHM 1/10W 0603	1	R139
19-AB0103-JTX	RES SMD 10K OHM 1/10W 0603	1	R147
19-AB0103-JTX	RES SMD 10K OHM 1/10W 0603	1	R136
19-AB0103-JTX	RES SMD 10K OHM 1/10W 0603	1	R138
19-AB0103-JTX	RES SMD 10K OHM 1/10W 0603	1	R153
19-AB0103-JTX	RES SMD 10K OHM 1/10W 0603	1	R7

PART NO.	SEPC	SINGLE QTY	LOCATION
19-AB0103-JTX	RES SMD 10K OHM 1/10W 0603	1	R232
19-AB0103-JTX	RES SMD 10K OHM 1/10W 0603	1	R23
19-AB0103-JTX	RES SMD 10K OHM 1/10W 0603	1	R224
19-AB0103-JTX	RES SMD 10K OHM 1/10W 0603	1	R22
19-AB0103-JTX	RES SMD 10K OHM 1/10W 0603	1	R225
19-AB0103-JTX	RES SMD 10K OHM 1/10W 0603	1	R133
19-AB0103-JTX	RES SMD 10K OHM 1/10W 0603	1	R260
19-AB0103-JTX	RES SMD 10K OHM 1/10W 0603	1	R26
19-AB0103-JTX	RES SMD 10K OHM 1/10W 0603	1	R33
19-AB0103-JTX	RES SMD 10K OHM 1/10W 0603	1	R25
19-AB0103-JTX	RES SMD 10K OHM 1/10W 0603	1	R24
19-AB0103-JTX	RES SMD 10K OHM 1/10W 0603	1	R177
19-AB0103-JTX	RES SMD 10K OHM 1/10W 0603	1	R156
19-AB0103-JTX	RES SMD 10K OHM 1/10W 0603	1	R126
19-AB0103-JTX	RES SMD 10K OHM 1/10W 0603	1	R129
19-AB0103-JTX	RES SMD 10K OHM 1/10W 0603	1	R130
19-AB0103-JTX	RES SMD 10K OHM 1/10W 0603	1	R132
19-AB0103-JTX	RES SMD 10K OHM 1/10W 0603	1	R131
19-AB0104-JTX	SMD. RES 100K OHM 1/10W 0603	1	R210
19-AB0104-JTX	SMD. RES 100K OHM 1/10W 0603	1	R169
19-AB0104-JTX	SMD. RES 100K OHM 1/10W 0603	1	R168
19-AB0104-JTX	SMD. RES 100K OHM 1/10W 0603	1	R155
19-AB0104-JTX	SMD. RES 100K OHM 1/10W 0603	1	R160
19-AB0104-JTX	SMD. RES 100K OHM 1/10W 0603	1	R161
19-AB0122-JTX	SMD. RES 1.2K OHM 1/10 J 0603	1	R1
19-AB0181-JTX	SMD. RES 180 OHM 1/10W 0603	1	R42
19-AB0220-JTX	SMD RES 22 OHM 1/10W 0603	1	R35
19-AB0220-JTX	SMD RES 22 OHM 1/10W 0603	1	R36
19-AB0220-JTX	SMD RES 22 OHM 1/10W 0603	1	R38
19-AB0221-JTX	RES SMD 220 OHM 1/10W 0603	1	R240
19-AB0221-JTX	RES SMD 220 OHM 1/10W 0603	1	R254
19-AB0221-JTX	RES SMD 220 OHM 1/10W 0603	1	R244
19-AB0229-JTX	SMD. RES 2.2 OHM 1/10W J 0603	1	R44
19-AB0229-JTX	SMD. RES 2.2 OHM 1/10W J 0603	1	R45
19-AB0272-JTX	RES SMD 2.7K OHM 1/10W 0603	1	R184
19-AB0272-JTX	RES SMD 2.7K OHM 1/10W 0603	1	R182
19-AB0330-JTX	RES SMD 33 OHM 1/10W +/-5%0603	1	R151
19-AB0330-JTX	RES SMD 33 OHM 1/10W +/-5%0603	1	R150
19-AB0330-JTX	RES SMD 33 OHM 1/10W +/-5%0603	1	R8
19-AB0330-JTX	RES SMD 33 OHM 1/10W +/-5%0603	1	R174
19-AB0330-JTX	RES SMD 33 OHM 1/10W +/-5%0603	1	R17
19-AB0330-JTX	RES SMD 33 OHM 1/10W +/-5%0603	1	R15
19-AB0330-JTX	RES SMD 33 OHM 1/10W +/-5%0603	1	R149
19-AB0330-JTX	RES SMD 33 OHM 1/10W +/-5%0603	1	R146
19-AB0330-JTX	RES SMD 33 OHM 1/10W +/-5%0603	1	R145
19-AB0330-JTX	RES SMD 33 OHM 1/10W +/-5%0603	1	R144
19-AB0330-JTX	RES SMD 33 OHM 1/10W +/-5%0603	1	R143
19-AB0330-JTX	RES SMD 33 OHM 1/10W +/-5%0603	1	R14
19-AB0330-JTX	RES SMD 33 OHM 1/10W +/-5%0603	1	R12
19-AB0330-JTX	RES SMD 33 OHM 1/10W +/-5%0603	1	R11
19-AB0330-JTX	RES SMD 33 OHM 1/10W +/-5%0603	1	R10
19-AB0330-JTX	RES SMD 33 OHM 1/10W +/-5%0603	1	R162
19-AB0332-JTX	SMD RES 3.3K OHM 1/10W 0603	1	R148
19-AB0471-JTX	SMD. RES 470 OHM 1/10W +/-5%	1	R29
19-AB0471-JTX	SMD. RES 470 OHM 1/10W +/-5%	1	R152
19-AB0472-JTX	RES SMD 4.7K OHM 1/10W 0603	1	R166
19-AB0472-JTX	RES SMD 4.7K OHM 1/10W 0603	1	R154
19-AB0472-JTX	RES SMD 4.7K OHM 1/10W 0603	1	R158
19-AB0472-JTX	RES SMD 4.7K OHM 1/10W 0603	1	R164
19-AB0680-JTX	SMD. RES 68 OHM 1/10W +/-5% 0603	1	R40
19-AB0684-JTX	SMD. RES 680K 1/10W +/-5% 0603	1	R159
19-AB0750-JTX	SMD. RES 75 OHM 1/10W 0603	1	R77
19-AB0750-JTX	SMD. RES 75 OHM 1/10W 0603	1	R67
19-AB0750-JTX	SMD. RES 75 OHM 1/10W 0603	1	R238
19-AB0750-JTX	SMD. RES 75 OHM 1/10W 0603	1	R83
19-AB0750-JTX	SMD. RES 75 OHM 1/10W 0603	1	R90
19-BB0101-FTX	SMD. RES 100 OHM 1/10W +/-1%	1	R217
19-BB0101-FTX	SMD. RES 100 OHM 1/10W +/-1%	1	R204
19-BB0102-FTX	RES. SMD 1K 1/10W +/-1% 0805	1	R203

PART NO.	SEPC	SINGLE QTY	LOCATION
19-BB0109-JTX	SMD. RES 1 OHM 1/10W +/-5% 0805	1	R193
19-BB0109-JTX	SMD. RES 1 OHM 1/10W +/-5% 0805	1	R196
19-BB0109-JTX	SMD. RES 1 OHM 1/10W +/-5% 0805	1	R213
19-BB0109-JTX	SMD. RES 1 OHM 1/10W +/-5% 0805	1	R214
19-BB0109-JTX	SMD. RES 1 OHM 1/10W +/-5% 0805	1	R205
19-BB0109-JTX	SMD. RES 1 OHM 1/10W +/-5% 0805	1	R195
19-BB0109-JTX	SMD. RES 1 OHM 1/10W +/-5% 0805	1	R208
19-BB0109-JTX	SMD. RES 1 OHM 1/10W +/-5% 0805	1	R211
19-BB0109-JTX	SMD. RES 1 OHM 1/10W +/-5% 0805	1	R212
19-BB0109-JTX	SMD. RES 1 OHM 1/10W +/-5% 0805	1	R207
19-BB0109-JTX	SMD. RES 1 OHM 1/10W +/-5% 0805	1	R206
19-BB0109-JTX	SMD. RES 1 OHM 1/10W +/-5% 0805	1	R194
19-BB0182-FTX	SMD. RES 1.8K OHM 1/10W +/-1% 0805	1	R202
19-BB0472-JTX	SMD. RES 4.7K OHM 1/10W +/-5%	1	R215
19-BB0821-FTX	SMD. RES 820 OHM 1/10W +/-1%	1	R216
23-A08330-FBX	NETWORK RES. SMD 33 OHM +/-1%	1	RN99
23-A08330-FBX	NETWORK RES. SMD 33 OHM +/-1%	1	RN100
23-A08330-FBX	NETWORK RES. SMD 33 OHM +/-1%	1	RN259
23-A08330-FBX	NETWORK RES. SMD 33 OHM +/-1%	1	RN258
28-AB0100-JCX	SMD. CAP 10 PF 50VDC +/-5%	1	C127
28-AB0100-JCX	SMD. CAP 10 PF 50VDC +/-5%	1	C170
28-AB0103-ZFX	CAP. SMD 10NF 50V +80-20% 0603	1	C48
28-AB0103-ZFX	CAP. SMD 10NF 50V +80-20% 0603	1	C179
28-AB0104-ZFX	CAP. SMD 0.1UF 50V +80~-20% F	1	C117
28-AB0104-ZFX	CAP. SMD 0.1UF 50V +80~-20% F	1	C116
28-AB0104-ZFX	CAP. SMD 0.1UF 50V +80~-20% F	1	C105
28-AB0104-ZFX	CAP. SMD 0.1UF 50V +80~-20% F	1	C106
28-AB0104-ZFX	CAP. SMD 0.1UF 50V +80~-20% F	1	C107
28-AB0104-ZFX	CAP. SMD 0.1UF 50V +80~-20% F	1	C109
28-AB0104-ZFX	CAP. SMD 0.1UF 50V +80~-20% F	1	C11
28-AB0104-ZFX	CAP. SMD 0.1UF 50V +80~-20% F	1	C110
28-AB0104-ZFX	CAP. SMD 0.1UF 50V +80~-20% F	1	C111
28-AB0104-ZFX	CAP. SMD 0.1UF 50V +80~-20% F	1	C112
28-AB0104-ZFX	CAP. SMD 0.1UF 50V +80~-20% F	1	C16
28-AB0104-ZFX	CAP. SMD 0.1UF 50V +80~-20% F	1	C158
28-AB0104-ZFX	CAP. SMD 0.1UF 50V +80~-20% F	1	C15
28-AB0104-ZFX	CAP. SMD 0.1UF 50V +80~-20% F	1	C195
28-AB0104-ZFX	CAP. SMD 0.1UF 50V +80~-20% F	1	C115
28-AB0104-ZFX	CAP. SMD 0.1UF 50V +80~-20% F	1	C132
28-AB0104-ZFX	CAP. SMD 0.1UF 50V +80~-20% F	1	C134
28-AB0104-ZFX	CAP. SMD 0.1UF 50V +80~-20% F	1	C121
28-AB0104-ZFX	CAP. SMD 0.1UF 50V +80~-20% F	1	C120
28-AB0104-ZFX	CAP. SMD 0.1UF 50V +80~-20% F	1	C7
28-AB0104-ZFX	CAP. SMD 0.1UF 50V +80~-20% F	1	C5
28-AB0104-ZFX	CAP. SMD 0.1UF 50V +80~-20% F	1	C52
28-AB0104-ZFX	CAP. SMD 0.1UF 50V +80~-20% F	1	C6
28-AB0104-ZFX	CAP. SMD 0.1UF 50V +80~-20% F	1	C99
28-AB0104-ZFX	CAP. SMD 0.1UF 50V +80~-20% F	1	C98
28-AB0104-ZFX	CAP. SMD 0.1UF 50V +80~-20% F	1	C97
28-AB0104-ZFX	CAP. SMD 0.1UF 50V +80~-20% F	1	C94
28-AB0104-ZFX	CAP. SMD 0.1UF 50V +80~-20% F	1	C14
28-AB0104-ZFX	CAP. SMD 0.1UF 50V +80~-20% F	1	C100
28-AB0104-ZFX	CAP. SMD 0.1UF 50V +80~-20% F	1	C10
28-AB0104-ZFX	CAP. SMD 0.1UF 50V +80~-20% F	1	C113
28-AB0104-ZFX	CAP. SMD 0.1UF 50V +80~-20% F	1	C114
28-AB0104-ZFX	CAP. SMD 0.1UF 50V +80~-20% F	1	C101
28-AB0104-ZFX	CAP. SMD 0.1UF 50V +80~-20% F	1	C102
28-AB0104-ZFX	CAP. SMD 0.1UF 50V +80~-20% F	1	C103
28-AB0104-ZFX	CAP. SMD 0.1UF 50V +80~-20% F	1	C104
28-AB0104-ZFX	CAP. SMD 0.1UF 50V +80~-20% F	1	C119
28-AB0104-ZFX	CAP. SMD 0.1UF 50V +80~-20% F	1	C118
28-AB0104-ZFX	CAP. SMD 0.1UF 50V +80~-20% F	1	C12
28-AB0104-ZFX	CAP. SMD 0.1UF 50V +80~-20% F	1	C38
28-AB0104-ZFX	CAP. SMD 0.1UF 50V +80~-20% F	1	C36
28-AB0104-ZFX	CAP. SMD 0.1UF 50V +80~-20% F	1	C32
28-AB0104-ZFX	CAP. SMD 0.1UF 50V +80~-20% F	1	C35
28-AB0104-ZFX	CAP. SMD 0.1UF 50V +80~-20% F	1	C196
28-AB0104-ZFX	CAP. SMD 0.1UF 50V +80~-20% F	1	C49
28-AB0104-ZFX	CAP. SMD 0.1UF 50V +80~-20% F	1	C47

PART NO.	SEPC	SINGLE QTY	LOCATION
28-AB0104-ZFX	CAP. SMD 0.1UF 50V +80%~-20% F	1	C45
28-AB0104-ZFX	CAP. SMD 0.1UF 50V +80%~-20% F	1	C44
28-AB0104-ZFX	CAP. SMD 0.1UF 50V +80%~-20% F	1	C42
28-AB0104-ZFX	CAP. SMD 0.1UF 50V +80%~-20% F	1	C41
28-AB0104-ZFX	CAP. SMD 0.1UF 50V +80%~-20% F	1	C164
28-AB0104-ZFX	CAP. SMD 0.1UF 50V +80%~-20% F	1	C122
28-AB0104-ZFX	CAP. SMD 0.1UF 50V +80%~-20% F	1	C31
28-AB0104-ZFX	CAP. SMD 0.1UF 50V +80%~-20% F	1	C30
28-AB0104-ZFX	CAP. SMD 0.1UF 50V +80%~-20% F	1	C20
28-AB0104-ZFX	CAP. SMD 0.1UF 50V +80%~-20% F	1	C21
28-AB0104-ZFX	CAP. SMD 0.1UF 50V +80%~-20% F	1	C22
28-AB0104-ZFX	CAP. SMD 0.1UF 50V +80%~-20% F	1	C23
28-AB0104-ZFX	CAP. SMD 0.1UF 50V +80%~-20% F	1	C3
28-AB0104-ZFX	CAP. SMD 0.1UF 50V +80%~-20% F	1	C137
28-AB0104-ZFX	CAP. SMD 0.1UF 50V +80%~-20% F	1	C29
28-AB0104-ZFX	CAP. SMD 0.1UF 50V +80%~-20% F	1	C28
28-AB0104-ZFX	CAP. SMD 0.1UF 50V +80%~-20% F	1	C27
28-AB0104-ZFX	CAP. SMD 0.1UF 50V +80%~-20% F	1	C19
28-AB0104-ZFX	CAP. SMD 0.1UF 50V +80%~-20% F	1	C18
28-AB0104-ZFX	CAP. SMD 0.1UF 50V +80%~-20% F	1	C172
28-AB0104-ZFX	CAP. SMD 0.1UF 50V +80%~-20% F	1	C123
28-AB0104-ZFX	CAP. SMD 0.1UF 50V +80%~-20% F	1	C125
28-AB0104-ZFX	CAP. SMD 0.1UF 50V +80%~-20% F	1	C126
28-AB0104-ZFX	CAP. SMD 0.1UF 50V +80%~-20% F	1	C128
28-AB0104-ZFX	CAP. SMD 0.1UF 50V +80%~-20% F	1	C129
28-AB0104-ZFX	CAP. SMD 0.1UF 50V +80%~-20% F	1	C13
28-AB0104-ZFX	CAP. SMD 0.1UF 50V +80%~-20% F	1	C17
28-AB0104-ZFX	CAP. SMD 0.1UF 50V +80%~-20% F	1	C40
28-AB0104-ZFX	CAP. SMD 0.1UF 50V +80%~-20% F	1	C4
28-AB0104-ZFX	CAP. SMD 0.1UF 50V +80%~-20% F	1	C39
28-AB0201-JCX	CAP. SMD 200PF 50V +/-5% 0603	1	C153
28-AB0220-JCX	CAP. SMD 22PF 50V +/-5% C	1	C169
28-AB0220-JCX	CAP. SMD 22PF 50V +/-5% C	1	C168
28-AB0220-JCX	CAP. SMD 22PF 50V +/-5% C	1	C174
28-AB0220-JCX	CAP. SMD 22PF 50V +/-5% C	1	C72
28-AB0220-JCX	CAP. SMD 22PF 50V +/-5% C	1	C71
28-AB0220-JCX	CAP. SMD 22PF 50V +/-5% C	1	C67
28-AB0220-JCX	CAP. SMD 22PF 50V +/-5% C	1	C60
28-AB0220-JCX	CAP. SMD 22PF 50V +/-5% C	1	C65
28-AB0220-JCX	CAP. SMD 22PF 50V +/-5% C	1	C79
28-AB0220-JCX	CAP. SMD 22PF 50V +/-5% C	1	C76
28-AB0220-JCX	CAP. SMD 22PF 50V +/-5% C	1	C75
28-AB0220-JCX	CAP. SMD 22PF 50V +/-5% C	1	C190
28-AB0220-JCX	CAP. SMD 22PF 50V +/-5% C	1	C184
28-AB0220-JCX	CAP. SMD 22PF 50V +/-5% C	1	C183
28-AB0220-JCX	CAP. SMD 22PF 50V +/-5% C	1	C182
28-AB0220-JCX	CAP. SMD 22PF 50V +/-5% C	1	C181
28-AB0220-JCX	CAP. SMD 22PF 50V +/-5% C	1	C177
28-AB0330-JCX	SMD CAP 33PF 50V +/-5%	2	C24, C25
28-AB0333-ZFX	CAP. SMD 0.033UF 50V 80-20 0603	1	C95
28-AB0390-JCX	SMD. CAP 39 PF 50V +/-5% 0603	2	C130, C131
28-AB0391-JCX	CAP. SMD 390P 50V +/-5% 0603	1	C64
28-AB0391-JCX	CAP. SMD 390P 50V +/-5% 0603	1	C78
28-AB0391-JCX	CAP. SMD 390P 50V +/-5% 0603	1	C77
28-AB0391-JCX	CAP. SMD 390P 50V +/-5% 0603	1	C74
28-AB0391-JCX	CAP. SMD 390P 50V +/-5% 0603	1	C73
28-AB0391-JCX	CAP. SMD 390P 50V +/-5% 0603	1	C70
28-AB0391-JCX	CAP. SMD 390P 50V +/-5% 0603	1	C69
28-AB0391-JCX	CAP. SMD 390P 50V +/-5% 0603	1	C175
28-AB0391-JCX	CAP. SMD 390P 50V +/-5% 0603	1	C176
28-AB0391-JCX	CAP. SMD 390P 50V +/-5% 0603	1	C63
28-AB0471-JCX	CAP. SMD 470PF 50V +/-5% 0603	1	C162
28-AB0471-JCX	CAP. SMD 470PF 50V +/-5% 0603	1	C143
28-AB0472-KBX	CAP. SMD 4700PF 50V +/-10% 0603	1	C154
28-AB0472-KBX	CAP. SMD 4700PF 50V +/-10% 0603	1	C165
28-AB0472-KBX	CAP. SMD 4700PF 50V +/-10% 0603	1	C144
28-AB0472-KBX	CAP. SMD 4700PF 50V +/-10% 0603	1	C145
28-AB0472-KBX	CAP. SMD 4700PF 50V +/-10% 0603	1	C166
28-AD0474-ZFX	SMD. CAP 0.47 UF 25V +80/-20%	1	C141

PART NO.	SEPC	SINGLE QTY	LOCATION
28-ADO474-ZFX	SMD. CAP 0.47 UF 25V +80/-20%	1	C151
28-ADO474-ZFX	SMD. CAP 0.47 UF 25V +80/-20%	1	C160
28-CC0476-MTX	TANTALUM CAP. 47 UF 16V +/-20% 6032	1	C53
28-DC0107-MTX	TANTALUM CAP. 100 UF 16VDC +/-20%	1	C148
28-DC0107-MTX	TANTALUM CAP. 100 UF 16VDC +/-20%	1	C150
28-DC0107-MTX	TANTALUM CAP. 100 UF 16VDC +/-20%	1	C159
28-DC0107-MTX	TANTALUM CAP. 100 UF 16VDC +/-20%	1	C163
28-RD0337-MAF1	ALUMINIUM CAP. 330 UF 25V +/-20%	1	C142
28-RD0337-MAF1	ALUMINIUM CAP. 330 UF 25V +/-20%	1	C146
28-RD0337-MAF1	ALUMINIUM CAP. 330 UF 25V +/-20%	1	C193
28-RD0337-MAF1	ALUMINIUM CAP. 330 UF 25V +/-20%	1	C192
28-RD0337-MAF1	ALUMINIUM CAP. 330 UF 25V +/-20%	1	C161
28-RD0337-MAF1	ALUMINIUM CAP. 330 UF 25V +/-20%	1	C152
28-RD0337-MAF1	ALUMINIUM CAP. 330 UF 25V +/-20%	1	C147
28-RD0477-MAF	ALUMINIUM CAP. 470 UF 25V +/-20%	1	C167
28-RD0477-MAF	ALUMINIUM CAP. 470 UF 25V +/-20%	1	C156
28-RD0477-MAF	ALUMINIUM CAP. 470 UF 25V +/-20%	1	C155
28-XC0106-MTX	TANTALUM CAP. 10 UF 16V +/-20%	1	C133
28-XC0106-MTX	TANTALUM CAP. 10 UF 16V +/-20%	1	C1
28-XC0106-MTX	TANTALUM CAP. 10 UF 16V +/-20%	1	C124
28-XC0106-MTX	TANTALUM CAP. 10 UF 16V +/-20%	1	C108
28-XC0106-MTX	TANTALUM CAP. 10 UF 16V +/-20%	1	C96
28-XC0106-MTX	TANTALUM CAP. 10 UF 16V +/-20%	1	C37
28-XC0106-MTX	TANTALUM CAP. 10 UF 16V +/-20%	1	C34
28-XC0106-MTX	TANTALUM CAP. 10 UF 16V +/-20%	1	C43
28-XC0106-MTX	TANTALUM CAP. 10 UF 16V +/-20%	1	C8
28-XC0106-MTX	TANTALUM CAP. 10 UF 16V +/-20%	1	C9
28-XC0106-MTX	TANTALUM CAP. 10 UF 16V +/-20%	1	C33
28-XC0106-MTX	TANTALUM CAP. 10 UF 16V +/-20%	1	C26
28-XC0106-MTX	TANTALUM CAP. 10 UF 16V +/-20%	1	C2
28-XC0106-MTX	TANTALUM CAP. 10 UF 16V +/-20%	1	C197
28-XC0106-MTX	TANTALUM CAP. 10 UF 16V +/-20%	1	C173
28-XC0106-MTX	TANTALUM CAP. 10 UF 16V +/-20%	1	C138
28-XC0106-MTX	TANTALUM CAP. 10 UF 16V +/-20%	1	C135
28-XC0225-MTX	TANTALUM CAP. 2.2 UF 16V +/-20%	1	C46
28-XC0225-MTX	TANTALUM CAP. 2.2 UF 16V +/-20%	1	C178
33-BLN102-NTX	SMD. COLL FBMH4525HM102NT	1	L28
33-BLN102-NTX	SMD. COLL FBMH4525HM102NT	1	L30
33-BLN102-NTX	SMD. COLL FBMH4525HM102NT	1	L37
33-ELL229-KTX	SMD. COIL	1	L23
33-ELL229-KTX	SMD. COIL	1	L26
33-ELL229-KTX	SMD. COIL	1	L25
33-ELL229-KTX	SMD. COIL	1	L39
33-ELN221-NTX	CHIP BEAD 220 OHM +/-25%	1	L8
33-ELN221-NTX	CHIP BEAD 220 OHM +/-25%	1	L11
33-ELN221-NTX	CHIP BEAD 220 OHM +/-25%	1	L1
33-ELN221-NTX	CHIP BEAD 220 OHM +/-25%	1	L42
33-ELN221-NTX	CHIP BEAD 220 OHM +/-25%	1	L13
33-ELN221-NTX	CHIP BEAD 220 OHM +/-25%	1	L56
33-ELN221-NTX	CHIP BEAD 220 OHM +/-25%	1	L4
33-ELN221-NTX	CHIP BEAD 220 OHM +/-25%	1	L29
33-ELN221-NTX	CHIP BEAD 220 OHM +/-25%	1	L24
33-ELN221-NTX	CHIP BEAD 220 OHM +/-25%	1	L22
33-ELN221-NTX	CHIP BEAD 220 OHM +/-25%	1	L41
33-ELN221-NTX	CHIP BEAD 220 OHM +/-25%	1	L57
33-ELN221-NTX	CHIP BEAD 220 OHM +/-25%	1	L2
33-ELN221-NTX	CHIP BEAD 220 OHM +/-25%	1	L17
33-ELN221-NTX	CHIP BEAD 220 OHM +/-25%	1	L6
33-ELN221-NTX	CHIP BEAD 220 OHM +/-25%	1	L46
33-ELN221-NTX	CHIP BEAD 220 OHM +/-25%	1	L15
33-ELN221-NTX	CHIP BEAD 220 OHM +/-25%	1	L7
33-ELN221-NTX	CHIP BEAD 220 OHM +/-25%	1	L5
33-ELN221-NTX	CHIP BEAD 220 OHM +/-25%	1	L3
33-KLL229-KTX	SMD. COIL 2.2UH +/-10% 0603	1	L10
33-KLL229-KTX	SMD. COIL 2.2UH +/-10% 0603	1	L12
33-KLL229-KTX	SMD. COIL 2.2UH +/-10% 0603	1	L14
33-KLL229-KTX	SMD. COIL 2.2UH +/-10% 0603	1	L16
33-KLL229-KTX	SMD. COIL 2.2UH +/-10% 0603	1	L40
33-KLN101-NTA	CHIP BEAD 100 OHM +/-25%	1	L47

PART NO.	SEPC	SINGLE QTY	LOCATION
33-KLN601-NTA	CHIP BEAD 600 OHM +/-25%	1	L50
33-KLN601-NTA	CHIP BEAD 600 OHM +/-25%	1	L51
33-KLN601-NTA	CHIP BEAD 600 OHM +/-25%	1	L49
33-KLN601-NTA	CHIP BEAD 600 OHM +/-25%	1	L54
33-KLN601-NTA	CHIP BEAD 600 OHM +/-25%	1	L52
33-KLN601-NTA	CHIP BEAD 600 OHM +/-25%	1	L53
33-XLL101-MTX	SMD. COLL 100UH/+/-20%	1	L38
33-XLL150-MTX	SHIELD SMD. INDUCTOR 15 UH +/-20%	1	L45
33-XLL150-MTX	SHIELD SMD. INDUCTOR 15 UH +/-20%	1	L32
33-XLL221-MTX	SMD. COLL 220UH/+/-20%	1	L31
33-XLL470-MTX	SMD. COLL 47UH/+/-20%	1	L27
40-P8IDTV-DOE4X	P. C. B. DIGIBOARD	1	
12-BC847A-OBX	SMD TRANSISTOR BC847A (NPN)	1	Q900
12-BC847A-OBX	SMD TRANSISTOR BC847A (NPN)	1	Q203
12-BC847A-OBX	SMD TRANSISTOR BC847A (NPN)	1	Q200
12-BC847A-OBX	SMD TRANSISTOR BC847A (NPN)	1	Q287
12-BC857A-OBX	SMD TRANSISTOR BC857A (PNP)	1	Q901
12-BC857A-OBX	SMD TRANSISTOR BC857A (PNP)	1	Q207
12-BC857A-OBX	SMD TRANSISTOR BC857A (PNP)	1	Q206
12-BC857A-OBX	SMD TRANSISTOR BC857A (PNP)	1	Q205
12-BSH103-OBX	MOS TRANSISTOR BSH103	1	Q288
12-BSH103-OBX	MOS TRANSISTOR BSH103	1	Q289
13-P12021-NDB01	IC TDA12021H/N1D01	1	IC200
19-BB0000-JTX	SMD. RES 0 OHM 1/10W +/-5%	1	R228
19-BB0000-JTX	SMD. RES 0 OHM 1/10W +/-5%	1	J231
19-BB0000-JTX	SMD. RES 0 OHM 1/10W +/-5%	1	R204
19-BB0000-JTX	SMD. RES 0 OHM 1/10W +/-5%	1	R227
19-BB0000-JTX	SMD. RES 0 OHM 1/10W +/-5%	1	J214A
19-BB0000-JTX	SMD. RES 0 OHM 1/10W +/-5%	1	J213
19-BB0000-JTX	SMD. RES 0 OHM 1/10W +/-5%	1	J212
19-BB0000-JTX	SMD. RES 0 OHM 1/10W +/-5%	1	J214
19-BB0000-JTX	SMD. RES 0 OHM 1/10W +/-5%	1	J230
19-BB0000-JTX	SMD. RES 0 OHM 1/10W +/-5%	1	J258
19-BB0000-JTX	SMD. RES 0 OHM 1/10W +/-5%	1	JP107
19-BB0000-JTX	SMD. RES 0 OHM 1/10W +/-5%	1	JP110
19-BB0000-JTX	SMD. RES 0 OHM 1/10W +/-5%	1	L225
19-BB0000-JTX	SMD. RES 0 OHM 1/10W +/-5%	1	JP113
19-BB0000-JTX	SMD. RES 0 OHM 1/10W +/-5%	1	JP112
19-BB0000-JTX	SMD. RES 0 OHM 1/10W +/-5%	1	R030A
19-BB0101-JTX	SMD. RES 100 OHM 1/10W +/-5%	1	R034
19-BB0101-JTX	SMD. RES 100 OHM 1/10W +/-5%	1	R010
19-BB0101-JTX	SMD. RES 100 OHM 1/10W +/-5%	1	R009
19-BB0101-JTX	SMD. RES 100 OHM 1/10W +/-5%	1	R231
19-BB0101-JTX	SMD. RES 100 OHM 1/10W +/-5%	1	R926
19-BB0101-JTX	SMD. RES 100 OHM 1/10W +/-5%	1	R920
19-BB0101-JTX	SMD. RES 100 OHM 1/10W +/-5%	1	R919
19-BB0101-JTX	SMD. RES 100 OHM 1/10W +/-5%	1	R911
19-BB0101-JTX	SMD. RES 100 OHM 1/10W +/-5%	1	R232
19-BB0101-JTX	SMD. RES 100 OHM 1/10W +/-5%	1	R031
19-BB0101-JTX	SMD. RES 100 OHM 1/10W +/-5%	1	R230
19-BB0101-JTX	SMD. RES 100 OHM 1/10W +/-5%	1	R222
19-BB0101-JTX	SMD. RES 100 OHM 1/10W +/-5%	1	R932
19-BB0101-JTX	SMD. RES 100 OHM 1/10W +/-5%	1	R929
19-BB0101-JTX	SMD. RES 100 OHM 1/10W +/-5%	1	R928
19-BB0101-JTX	SMD. RES 100 OHM 1/10W +/-5%	1	R927
19-BB0101-JTX	SMD. RES 100 OHM 1/10W +/-5%	1	R011
19-BB0101-JTX	SMD. RES 100 OHM 1/10W +/-5%	1	R024
19-BB0102-JTX	SMD. RES 1K OHM 1/10W +/-5%	1	R250
19-BB0102-JTX	SMD. RES 1K OHM 1/10W +/-5%	1	R916
19-BB0102-JTX	SMD. RES 1K OHM 1/10W +/-5%	1	R963
19-BB0102-JTX	SMD. RES 1K OHM 1/10W +/-5%	1	R962
19-BB0102-JTX	SMD. RES 1K OHM 1/10W +/-5%	1	R908
19-BB0102-JTX	SMD. RES 1K OHM 1/10W +/-5%	1	R908A
19-BB0102-JTX	SMD. RES 1K OHM 1/10W +/-5%	1	R915
19-BB0102-JTX	SMD. RES 1K OHM 1/10W +/-5%	1	R251
19-BB0102-JTX	SMD. RES 1K OHM 1/10W +/-5%	1	R039
19-BB0102-JTX	SMD. RES 1K OHM 1/10W +/-5%	1	R220
19-BB0103-JTX	SMD. RES 10K OHM 1/10W +/-5%	1	R101
19-BB0103-JTX	SMD. RES 10K OHM 1/10W +/-5%	1	R018

PART NO.	SEPC	SINGLE QTY	LOCATION
19-BB0103-JTX	SMD. RES 10K OHM 1/10W +/-5%	1	R221
19-BB0104-JTX	SMD. RES 100K OHM 1/10W +/-5% 0805	1	R903
19-BB0104-JTX	SMD. RES 100K OHM 1/10W +/-5% 0805	1	R902
19-BB0123-JTX	SMD. RES 12K OHM 1/10W +/-5%	1	R210
19-BB0151-JTX	RES. SMD 150 OHM 1/10W +/-5%	1	R115
19-BB0151-JTX	RES. SMD 150 OHM 1/10W +/-5%	1	R117
19-BB0153-JTX	SMD. RES 15K OHM 1/10W +/-5%	1	R040
19-BB0154-JTX	SMD. RES 150K OHM 1/10W +/-5%	1	R281
19-BB0182-JTX	SMD. RES 1.8K OHM 1/10W +/-5%	1	R223
19-BB0183-JTX	SMD. RES 18K OHM 1/10W +/-5%	1	R271
19-BB0184-JTX	SMD. RES 180K OHM 1/10W +/-5%	1	R235
19-BB0203-JTX	SMD. RES 20K OHM 1/10W +/-5%	1	R201
19-BB0220-JTX	SMD. RES 22 OHM 1/10W +/-5%	1	R118
19-BB0221-JTX	SMD. RES 220 OHM 1/10W +/-5% 0805	1	R219
19-BB0222-JTX	SMD. RES 2.2K OHM 1/10W +/-5%	1	R224
19-BB0224-JTX	SMD. RES 220K OHM 1/10W +/-5%	1	R260
19-BB0224-JTX	SMD. RES 220K OHM 1/10W +/-5%	1	R226
19-BB0331-JTX	SMD. RES 330 OHM 1/10W +/-5% 0805	1	R904
19-BB0331-JTX	SMD. RES 330 OHM 1/10W +/-5% 0805	1	R905
19-BB0332-JTX	SMD. RES 3.3K OHM 1/10W +/-5%	1	R261
19-BB0332-JTX	SMD. RES 3.3K OHM 1/10W +/-5%	1	R028
19-BB0332-JTX	SMD. RES 3.3K OHM 1/10W +/-5%	1	R029
19-BB0332-JTX	SMD. RES 3.3K OHM 1/10W +/-5%	1	R042
19-BB0332-JTX	SMD. RES 3.3K OHM 1/10W +/-5%	1	R027
19-BB0333-JTX	SMD. RES 33K OHM 1/10W +/-5%	1	R270
19-BB0333-JTX	SMD. RES 33K OHM 1/10W +/-5%	1	R213B
19-BB0333-JTX	SMD. RES 33K OHM 1/10W +/-5%	1	R212
19-BB0390-JTX	SMD. RES 39 OHM 1/10W +/-5% 0805	1	R104
19-BB0390-JTX	SMD. RES 39 OHM 1/10W +/-5% 0805	1	R109
19-BB0390-JTX	SMD. RES 39 OHM 1/10W +/-5% 0805	1	R218
19-BB0391-JTX	RES. SMD 390 OHM 1/10W +/-5%	1	R214
19-BB0393-JTX	SMD. RES 39K OHM 1/10W +/-5%	1	R103
19-BB0472-JTX	SMD. RES 4.7K OHM 1/10W +/-5%	1	R211A
19-BB0472-JTX	SMD. RES 4.7K OHM 1/10W +/-5%	1	R225
19-BB0472-JTX	SMD. RES 4.7K OHM 1/10W +/-5%	1	R229
19-BB0473-JTX	SMD. RES 47K OHM 1/10W +/-5% 0805	1	R913
19-BB0473-JTX	SMD. RES 47K OHM 1/10W +/-5% 0805	1	R252
19-BB0473-JTX	SMD. RES 47K OHM 1/10W +/-5% 0805	1	R049
19-BB0473-JTX	SMD. RES 47K OHM 1/10W +/-5% 0805	1	R253
19-BB0473-JTX	SMD. RES 47K OHM 1/10W +/-5% 0805	1	R961
19-BB0473-JTX	SMD. RES 47K OHM 1/10W +/-5% 0805	1	R960
19-BB0473-JTX	SMD. RES 47K OHM 1/10W +/-5% 0805	1	R914
19-BB0510-JTX	RES. SMD 51 OHM 1/10W +/-5% 0805	1	R114
19-BB0512-JTX	SMD. RES 5.1K OHM 1/10W +/-5%	1	R045
19-BB0561-JTX	SMD. RES 560 OHM 1/10W +/-5%	1	R080
19-BB0562-JTX	SMD. RES 5.6K OHM 1/10W +/-5%	1	R023
19-BB0562-JTX	SMD. RES 5.6K OHM 1/10W +/-5%	1	R032
19-BB0681-JTX	SMD. RES 680 OHM 1/10W +/-5%	1	R116
19-BB0683-JTX	SMD. RES 68K OHM 1/10W +/-5%	1	R100
19-BB0750-JTX	SMD. RES 75 OHM 1/10W +/-5%	1	R918
19-BB0750-JTX	SMD. RES 75 OHM 1/10W +/-5%	1	R917
19-BB0750-JTX	SMD. RES 75 OHM 1/10W +/-5%	1	R906
19-BB0750-JTX	SMD. RES 75 OHM 1/10W +/-5%	1	R921
19-BB0750-JTX	SMD. RES 75 OHM 1/10W +/-5%	1	R922
19-BB0750-JTX	SMD. RES 75 OHM 1/10W +/-5%	1	R923
19-BB0820-JTX	RES. SMD 82 OHM 1/10W +/-5%	1	R924
19-BB0820-JTX	RES. SMD 82 OHM 1/10W +/-5%	1	R925
28-BB0101-JCX	SMD CAP. 100 PF 50V C 0805	1	C928
28-BB0101-JCX	SMD CAP. 100 PF 50V C 0805	1	C101A
28-BB0101-JCX	SMD CAP. 100 PF 50V C 0805	1	C912
28-BB0101-JCX	SMD CAP. 100 PF 50V C 0805	1	C941
28-BB0101-JCX	SMD CAP. 100 PF 50V C 0805	1	C914
28-BB0101-JCX	SMD CAP. 100 PF 50V C 0805	1	C915
28-BB0101-JCX	SMD CAP. 100 PF 50V C 0805	1	C920
28-BB0101-JCX	SMD CAP. 100 PF 50V C 0805	1	C924
28-BB0101-JCX	SMD CAP. 100 PF 50V C 0805	1	C925
28-BB0101-JCX	SMD CAP. 100 PF 50V C 0805	1	C927
28-BB0101-JCX	SMD CAP. 100 PF 50V C 0805	1	C926
28-BB0101-JCX	SMD CAP. 100 PF 50V C 0805	1	C961

PART NO.	SEPC	SINGLE QTY	LOCATION
28-BB0101-JCX	SMD CAP. 100 PF 50V C 0805	1	C960
28-BB0101-JCX	SMD CAP. 100 PF 50V C 0805	1	C101
28-BB0101-JCX	SMD CAP. 100 PF 50V C 0805	1	C940
28-BB0101-JCX	SMD CAP. 100 PF 50V C 0805	1	C930
28-BB0101-JCX	SMD CAP. 100 PF 50V C 0805	1	C929
28-BB0101-JCX	SMD CAP. 100 PF 50V C 0805	1	C910
28-BB0101-JCX	SMD CAP. 100 PF 50V C 0805	1	C903
28-BB0101-JCX	SMD CAP. 100 PF 50V C 0805	1	C902
28-BB0102-KBX	SMD CAP. 0.001UF 50V B 0805	1	C213
28-BB0102-KBX	SMD CAP. 0.001UF 50V B 0805	1	C209
28-BB0102-KBX	SMD CAP. 0.001UF 50V B 0805	1	C207
28-BB0103-ZFX	SMD CAP. 0.01 UF 50V F 0805	1	C107
28-BB0103-ZFX	SMD CAP. 0.01 UF 50V F 0805	1	C004
28-BB0103-ZFX	SMD CAP. 0.01 UF 50V F 0805	1	C008
28-BB0103-ZFX	SMD CAP. 0.01 UF 50V F 0805	1	C011
28-BB0103-ZFX	SMD CAP. 0.01 UF 50V F 0805	1	C012
28-BB0103-ZFX	SMD CAP. 0.01 UF 50V F 0805	1	C018
28-BB0103-ZFX	SMD CAP. 0.01 UF 50V F 0805	1	C102
28-BB0103-ZFX	SMD CAP. 0.01 UF 50V F 0805	1	C106
28-BB0103-ZFX	SMD CAP. 0.01 UF 50V F 0805	1	C216
28-BB0103-ZFX	SMD CAP. 0.01 UF 50V F 0805	1	C110
28-BB0103-ZFX	SMD CAP. 0.01 UF 50V F 0805	1	C109
28-BB0103-ZFX	SMD CAP. 0.01 UF 50V F 0805	1	C108
28-BB0104-ZFX	SMD CAP. 0.1 UF 50V +80/-20% 0805	1	C217
28-BB0104-ZFX	SMD CAP. 0.1 UF 50V +80/-20% 0805	1	C218
28-BB0104-ZFX	SMD CAP. 0.1 UF 50V +80/-20% 0805	1	C222
28-BB0104-ZFX	SMD CAP. 0.1 UF 50V +80/-20% 0805	1	C224
28-BB0104-ZFX	SMD CAP. 0.1 UF 50V +80/-20% 0805	1	C226
28-BB0104-ZFX	SMD CAP. 0.1 UF 50V +80/-20% 0805	1	C229
28-BB0104-ZFX	SMD CAP. 0.1 UF 50V +80/-20% 0805	1	C235
28-BB0104-ZFX	SMD CAP. 0.1 UF 50V +80/-20% 0805	1	C007
28-BB0104-ZFX	SMD CAP. 0.1 UF 50V +80/-20% 0805	1	C258
28-BB0104-ZFX	SMD CAP. 0.1 UF 50V +80/-20% 0805	1	C251
28-BB0104-ZFX	SMD CAP. 0.1 UF 50V +80/-20% 0805	1	C249
28-BB0104-ZFX	SMD CAP. 0.1 UF 50V +80/-20% 0805	1	C248
28-BB0104-ZFX	SMD CAP. 0.1 UF 50V +80/-20% 0805	1	C247A
28-BB0104-ZFX	SMD CAP. 0.1 UF 50V +80/-20% 0805	1	C242
28-BB0222-KBX	SMD CAP 0.0022UF 50V +/-10%	1	C252
28-BB0222-KBX	SMD CAP 0.0022UF 50V +/-10%	1	C270
28-BB0223-KBX	SMD. CAP 0.022 UF 50V +/-10%	1	C281
28-BB0223-ZFX	SMD CAP. 0.022 UF 50V F 0805	1	C271
28-BB0223-ZFX	SMD CAP. 0.022 UF 50V F 0805	1	C233
28-BB0223-ZFX	SMD CAP. 0.022 UF 50V F 0805	1	C232
28-BB0223-ZFX	SMD CAP. 0.022 UF 50V F 0805	1	C210
28-BB0223-ZFX	SMD CAP. 0.022 UF 50V F 0805	1	C205
28-BB0224-ZFX	SMD. CAP 0.22UF 50V +80/-20% 0805	1	C211
28-BB0224-ZFX	SMD. CAP 0.22UF 50V +80/-20% 0805	1	C246
28-BB0224-ZFX	SMD. CAP 0.22UF 50V +80/-20% 0805	1	C255
28-BB0224-ZFX	SMD. CAP 0.22UF 50V +80/-20% 0805	1	C261
28-BB0224-ZFX	SMD. CAP 0.22UF 50V +80/-20% 0805	1	C260
28-BB0224-ZFX	SMD. CAP 0.22UF 50V +80/-20% 0805	1	C256
28-BB0224-ZFX	SMD. CAP 0.22UF 50V +80/-20% 0805	1	C023
28-BB0224-ZFX	SMD. CAP 0.22UF 50V +80/-20% 0805	1	C201
28-BB0330-JCX	SMD. CAP 33 PF 50V C 0805	1	C026
28-BB0330-JCX	SMD. CAP 33 PF 50V C 0805	1	C027
28-BB0472-KBX	SMD CAP. 0.0047UF 50V B 0805	1	C230
28-BB0682-KBX	SMD. CAP 6800 PF 50V +/-10%	1	C214
33-ELN601-NTX	BEAD CHIP HB-1T2012-601 2012	1	L223
33-ELN601-NTX	BEAD CHIP HB-1T2012-601 2012	1	J219A
33-ELN601-NTX	BEAD CHIP HB-1T2012-601 2012	1	L224
33-ELN601-NTX	BEAD CHIP HB-1T2012-601 2012	1	L226
33-ELN601-NTX	BEAD CHIP HB-1T2012-601 2012	1	L227
33-ELN601-NTX	BEAD CHIP HB-1T2012-601 2012	1	L232
33-ELN601-NTX	BEAD CHIP HB-1T2012-601 2012	1	L230
33-ELN601-NTX	BEAD CHIP HB-1T2012-601 2012	1	L229
33-ELN601-NTX	BEAD CHIP HB-1T2012-601 2012	1	L228
33-ELN601-NTX	BEAD CHIP HB-1T2012-601 2012	1	L231
33-ELN601-NTX	BEAD CHIP HB-1T2012-601 2012	1	L220
33-ELN601-NTX	BEAD CHIP HB-1T2012-601 2012	1	L221

PART NO.	SEPC	SINGLE QTY	LOCATION
33-ELN601-NTX	BEAD CHIP HB-1T2012-601 2012	1	L222
07-361FR5-TCO	TUNER TD1316A/SPVP	1	U21
19-AB0000-JTX	RES. SMD 0 OHM 1/10W +/-5% 0603	0.039	R16
28-AB0220-JCX	CAP. SMD 22PF 50V +/-5% C	0.039	C25
28-AB0220-JCX	CAP. SMD 22PF 50V +/-5% C	0.039	C24
45-OSC4M0-ON1	CRYSTAL 4MHZ	0.039	Y1
45-OSC4M0-ON10A	CRYSTAL 4.0MHZ	1	Y2
45-OSC4M0-ON10A	CRYSTAL 4.0MHZ	1	Y1
45-OSC4M0-ON10A	CRYSTAL 4.0MHZ	0.078	Y1
46-33079W-02X	PIN BASE *2 TJC3-2A	1	J8
46-33079W-02X	PIN BASE *2 TJC3-2A	1	J7
46-33079W-03X	PIN BASE *3 TJC3-3A	1	J10
46-33079W-04X	PIN BASE *4 TJC3-4A	1	J3 (PIN3 TO PIN6)
46-33079W-06X	PIN BASE *6 TJC3-6A	1	J6
46-35016W-20X	PIN BASE (*2X10 2.54MM)	1	J2
47-RCA007-XXO	JACK RCA AV-3.2-1W-G3 WHITE	1	JP1
47-VGA008-KXO	VGA SOCKET KL-PC09M-02 (FEMALE)	1	CN1
48-TAC001-XXO	TACT SWITCH	1	SW1
71-268390-OA0AF	LABEL (QC) GREEN	1	
77-028037-05C	BUBBLE BAG (28cmX37cm)	1	
54-114000-00X	FELT TAPE (150MMX19MMX0.3MM)	13	STICK ON REAR CBINET
59-130460-00X	RUBBER PAD (25MMX7MM)	2	STICK ON REAR CAB. (FOOTING)
18-CB0102-JNX	RES. C. F. 1K OHM 1/6W +/-5%	1	R009
18-CB0102-JNX	RES. C. F. 1K OHM 1/6W +/-5%	1	R028A
18-CB0221-JNX	RES. C. F. 220 OHM 1/6W +/-5%	1	R023A
18-CB0331-JNX	RES. C. F. 330 OHM 1/6W +/-5%	1	R024A
18-CB0391-JNX	RES. C. F. 390 OHM 1/6W +/-5%	1	R025A
18-CB0470-JNX	RES. C. F. 47 OHM 1/6W +/-5%	1	R008
18-CB0471-JNX	RES. C. F. 470 OHM 1/6W +/-5%	1	R026A
18-CB0681-JNX	RES. C. F. 680 OHM 1/6W +/-5%	1	R027A
40-3290A5-KEB1X	P. C. B. KEY BD	1	
10-0001H8-FBX	DIODE 1H8 (FAST RECOVERY)	1	D860
10-0FR102-FBX	DIODE FR102 (1A/100V)	1	D865
10-1N4007-EBX	DIODE 1N4007	1	D864
10-1N4007-EBX	DIODE 1N4007	1	D862
10-1N4007-EBX	DIODE 1N4007	1	D861
10-1N4007-EBX	DIODE 1N4007	1	D863
10-1N4148-ABX	DIODE 1N4148 (SWITCHING)	1	D867
10-1N5819-FBX	DIODE 1N5819 (1A/40V)	1	D868
10-HS6V2B-DBX	DIODE 6V2 500MW	1	D890
18-CB0101-JNX	RES. C. F. 100 OHM 1/6W +/-5%	1	R865
18-CB0102-JNX	RES. C. F. 1K OHM 1/6W +/-5%	1	R893
18-CB0152-JNX	RES. C. F. 1.5K OHM 1/6W +/-5%	1	R892
18-CB0512-JNX	RES. C. F. 5.1K OHM 1/6W +/-5%	1	R864
18-CB0513-JNX	RES. C. F. 51K OHM 1/6W +/-5%	1	D866
18-CB0752-JNX	RES. C. F. 7.5K OHM 1/6W +/-5%	1	R894
18-CB0753-JNX	RES. C. F. 75K OHM 1/6W +/-5%	1	R861
18-CB0912-JNX	RES. C. F. 9.1K OHM 1/6W +/-5%	1	R863
18-CD0105-JNX	RES. C. F. 1M OHM 1/4W +/-5%	1	R860
18-CD0229-JNX	RES. C. F. 2.2 OHM 1/4W +/-5%	1	R862
26-EBP122-KBS	CAP. CER 1200PF 50V +/-10%	1	C865
26-EBP471-JCS	CAP. CER 470 PF 50V +/-5%	1	C863
40-3290SB-PWB1X	POWER PCB BD	1	PCB
41-WJ0050-B00	WIRE BARE JUMPER 5MM	1	J861
41-WJ0065-B00	WIRE BARE JUMPER 6.5MM	1	J860
10-0001H8-FBX	DIODE 1H8 (FAST RECOVERY)	1	D810
10-1N4148-ABX	DIODE 1N4148 (SWITCHING)	1	D821
10-1N4148-ABX	DIODE 1N4148 (SWITCHING)	1	D811
10-1N4148-ABX	DIODE 1N4148 (SWITCHING)	1	D808
10-1N4148-ABX	DIODE 1N4148 (SWITCHING)	1	D803
10-HS9V1C-DBX	DIODE 9V1 500MW	1	D828
11-SC1815-YBX	TRANSISTOR 2SC1815-Y (NPN)	1	Q804
18-CB0100-JNX	RES. C. F. 10 OHM 1/6W +/-5%	1	R814
18-CB0101-JNX	RES. C. F. 100 OHM 1/6W +/-5%	1	R802
18-CB0102-JNX	RES. C. F. 1K OHM 1/6W +/-5%	1	R801
18-CB0102-JNX	RES. C. F. 1K OHM 1/6W +/-5%	1	R823
18-CB0102-JNX	RES. C. F. 1K OHM 1/6W +/-5%	1	R840
18-CB0113-JNX	RES. C. F. 11K OHM 1/6W +/-5%	1	R819
18-CB0221-JNX	RES. C. F. 220 OHM 1/6W +/-5%	1	R822

PART NO.	SEPC	SINGLE QTY	LOCATION
18-CB0223-JNX	RES. C. F. 22K OHM 1/6W +/-5%	1	R834
18-CB0273-JNX	RES. C. F. 27K OHM 1/6W +/-5%	1	R812A
18-CB0333-JNX	RES. C. F. 33K OHM 1/6W +/-5%	1	R838
18-CB0333-JNX	RES. C. F. 33K OHM 1/6W +/-5%	1	R825
18-CB0472-JNX	CARBON RES. C. F. 4.7K OHM 1/6W +/-5%	1	R812
18-CB0563-JNX	RES. C. F. 56K OHM 1/6W +/-5%	1	R818
18-CB0822-JNX	RES. C. F. 8.2K OHM 1/6W +/-5%	1	R830
18-CD0470-JNX	RES. C. F. 47 OHM 1/4W +/-5%	1	R823A
18-CE0474-JNX	RES. C. F. 470K OHM 1/2W +/-5%	1	R816A
18-DB0183-FNX	RES. M. F. 18K OHM 1/6W +/-1%	1	R824A
18-DB0222-FNX	RES. M. F. 2.2K OHM 1/6W +/-1%	1	R824
18-DE0104-FNX	RES. M. F. 100K OHM 1/2W +/-1%	1	R800
18-KE0105-JN3	RES. H. VOLT. CC 1M OHM 1/2W +/-5%	1	R813
18-KE0105-JNX	RES. GLASS GLAZE 1M OHM 1/2W +/-5%	1	R833
18-KE0475-JNX	RES. GLASS GLAZE 4.7M OHM 1/2W +/-5%	1	R811
25-BCB101-M1X	CAP. ELEC 100 UF 16V +/-20%	1	C811
25-BCB221-M1X	CAP. ELEC 220 UF 16V +/-20%	1	C845
25-BDB100-M1X	CAP. ELEC 10 UF 25V +/-20%	1	C880
25-BDB470-M1X	CAP. ELEC 47 UF 25V +/-20%	1	C826
26-ABC102-KBX	CAP. CER 1000 PF 50V +/-10% B	1	C848
26-ABC104-ZFX	CAP. CER 0.1 UF 50V +80-20% F	1	C842
26-ABC104-ZFX	CAP. CER 0.1 UF 50V +80-20% F	1	C847
26-ABC104-ZFX	CAP. CER 0.1 UF 50V +80-20% F	1	C817
26-ABC821-JZX	CAP. CER 820 PF 50V +/-5% SL	1	C854
26-AIC221-KBX	CAP. CER 220 PF 500V +/-10% B	1	C849
26-AIC221-KBX	CAP. CER 220 PF 500V +/-10% B	1	C821
26-EBP102-KBS	CAP. CER 1000 PF 50V +/-20%	1	C838
26-EBP102-KBS	CAP. CER 1000 PF 50V +/-20%	1	C843
26-EBP103-ZFX	CAP. CER 0.01UF 50V +80/-20% F	1	C857
26-EBP103-ZFX	CAP. CER 0.01UF 50V +80/-20% F	1	C856
26-EBP104-ZFS	CAP. CER 0.1UF 50V +80/-20%	1	C830
26-EBP221-JCS	CAP. CER 220 PF 50V +/-5%	1	C855
26-EBP222-KBS	CAP. CER 2.2 NF 50V +/-10%	1	C833
26-EBP331-JCS	CAP. CER 330PF 50V +/-5%	1	C858
35-LB1005-OIX	FERR BEAD H75 (3.5X1X5)	1	L805
35-LB1005-OIX	FERR BEAD H75 (3.5X1X5)	1	L802
41-WJ0060-B00	WIRE BARE JUMPER 6MM	1	J812
41-WJ0060-B00	WIRE BARE JUMPER 6MM	1	J813
41-WJ0065-B00	WIRE BARE JUMPER 6.5MM	1	J811
41-WJ0065-B00	WIRE BARE JUMPER 6.5MM	1	J823
41-WJ0075-B00	WIRE BARE JUMPER 7.5MM	1	J827
41-WJ0075-B00	WIRE BARE JUMPER 7.5MM	1	R824B
41-WJ0085-B00	WIRE BARE JUMPER 8.5MM	1	J822
41-WJ0085-B00	WIRE BARE JUMPER 8.5MM	1	J821
41-WJ0085-B00	WIRE BARE JUMPER 8.5MM	1	J820
41-WJ0100-B00	WIRE BARE JUMPER 10MM	1	D824
41-WJ0125-B00	WIRE BARE JUMPER 12.5MM	1	J809
41-WJ0125-B00	WIRE BARE JUMPER 12.5MM	1	J808
41-WJ0125-B00	WIRE BARE JUMPER 12.5MM	1	J810
41-WJ0125-B00	WIRE BARE JUMPER 12.5MM	1	J818
41-WJ0125-B00	WIRE BARE JUMPER 12.5MM	1	J824
41-WJ0125-B00	WIRE BARE JUMPER 12.5MM	1	J825
41-WJ0135-B00	WIRE BARE JUMPER 13.5MM	1	J828
41-WJ0150-B00	WIRE BARE JUMPER 15MM	1	J826
41-WJ0150-B00	WIRE BARE JUMPER 15MM	1	J815
41-WJ0150-B00	WIRE BARE JUMPER 15MM	1	J814
41-WJ0175-B00	WIRE BARE JUMPER 17.5MM	1	J805
41-WJ0175-B00	WIRE BARE JUMPER 17.5MM	1	J816
66-343730-OB0	HOLLOW RIVET 1.6MMX3.0MMX3.2MM	2	FOR DB801
66-343730-OB0	HOLLOW RIVET 1.6MMX3.0MMX3.2MM	3	FOR RT800
66-343730-OB0	HOLLOW RIVET 1.6MMX3.0MMX3.2MM	1	FOR Q805
66-343730-OB0	HOLLOW RIVET 1.6MMX3.0MMX3.2MM	2	FOR L800
66-343730-OB0	HOLLOW RIVET 1.6MMX3.0MMX3.2MM	4	FOR T801
66-343740-OB0	HOLLOW RIVET (2.3MMX4.0MMX3.5MM)	2	FOR D805
66-343740-OB0	HOLLOW RIVET (2.3MMX4.0MMX3.5MM)	2	FOR D806
66-343740-OB0	HOLLOW RIVET (2.3MMX4.0MMX3.5MM)	2	FOR C829
11-SA1015-YBX	TRANSISTOR ST2SA1015Y (PNP)	1	Q1306
11-SA1015-YBX	TRANSISTOR ST2SA1015Y (PNP)	1	Q1304
11-SC1815-YBX	TRANSISTOR 2SC1815-Y (NPN)	1	Q1305

PART NO.	SEPC	SINGLE QTY	LOCATION
11-SC1815-YBX	TRANSISTOR 2SC1815-Y (NPN)	1	Q1303
11-SC1815-YBX	TRANSISTOR 2SC1815-Y (NPN)	1	Q1302
11-SC1815-YBX	TRANSISTOR 2SC1815-Y (NPN)	1	Q1301
18-CB0102-JNX	RES. C. F. 1K OHM 1/6W +/-5%	1	R1302
18-CB0102-JNX	RES. C. F. 1K OHM 1/6W +/-5%	1	R1304
18-CB0104-JNX	RES. C. F. 100K OHM 1/6W +/-5%	1	R1306
18-CB0471-JNX	RES. C. F. 470 OHM 1/6W +/-5%	1	R1303
18-CB0471-JNX	RES. C. F. 470 OHM 1/6W +/-5%	1	R1305
18-CB0472-JNX	CARBON RES. C. F. 4.7K OHM 1/6W +/-5%	1	R1309
18-CB0822-JNX	RES. C. F. 8.2K OHM 1/6W +/-5%	1	R1307
25-BDB101-M1X	CAP. ELEC 100 UF 25V +/-20%	1	C1301
25-BFB109-M1X	CAP. ELEC 1 UF 50V +/-20%	1	C1302
25-BFB109-M1X	CAP. ELEC 1 UF 50V +/-20%	1	C1303
25-BFB229-M1X	CAP. ELEC 2.2 UF 50V +/-20%	1	C1304
41-WJ0060-B00	WIRE BARE JUMPER 6MM	1	J1301
41-WJ0065-B00	WIRE BARE JUMPER 6.5MM	1	J1302
10-0FR104-FBX	DIODE FR104 (FAST RECTIFIER)	1	D400
10-0FR104-FBX	DIODE FR104 (FAST RECTIFIER)	1	D405
10-0FR104-FBX	DIODE FR104 (FAST RECTIFIER)	1	D404
10-0FR104-FBX	DIODE FR104 (FAST RECTIFIER)	1	D402
10-0FR104-FBX	DIODE FR104 (FAST RECTIFIER)	1	D406
10-1N4001-EBX	DIODE 1N4001 (RECTIFIER)	1	D411
10-1N4001-EBX	DIODE 1N4001 (RECTIFIER)	1	D410
10-1N4001-EBX	DIODE 1N4001 (RECTIFIER)	1	D309
10-1N4148-ABX	DIODE 1N4148 (SWITCHING)	1	D305
10-1N4148-ABX	DIODE 1N4148 (SWITCHING)	1	D307
10-1N4148-ABX	DIODE 1N4148 (SWITCHING)	1	D308
10-1N4148-ABX	DIODE 1N4148 (SWITCHING)	1	D600
10-1N4148-ABX	DIODE 1N4148 (SWITCHING)	1	D606
10-1N4148-ABX	DIODE 1N4148 (SWITCHING)	1	D300
10-1N4148-ABX	DIODE 1N4148 (SWITCHING)	1	D281
10-79C24V-DBX	DIODE ZENER 24V 1/2W 5%	1	D280
10-79C2V4-DBX	DIODE ZENER 2V4 1/2W 5%	1	D304
10-79C3V9-DBX	DIODE ZENER 3V9 1/2W 5%	1	D306
10-79C5V1-DBX	DIODE ZENER 5V1 1/2W 5%	1	D303
10-79C5V6-DBX	DIODE ZENER 5V6 1/2W 5%	1	D408
11-0BC639-0BX	TRANSISTOR BC639	1	Q402
11-SA1015-YBX	TRANSISTOR ST2SA1015Y (PNP)	1	Q600
11-SA1015-YBX	TRANSISTOR ST2SA1015Y (PNP)	1	Q280
11-SC1815-YBX	TRANSISTOR 2SC1815-Y (NPN)	1	Q281
11-SC1815-YBX	TRANSISTOR 2SC1815-Y (NPN)	1	Q401
11-SC1815-YBX	TRANSISTOR 2SC1815-Y (NPN)	1	Q602
11-SC1815-YBX	TRANSISTOR 2SC1815-Y (NPN)	1	Q603
18-CB0102-JNX	RES. C. F. 1K OHM 1/6W +/-5%	1	R606A
18-CB0102-JNX	RES. C. F. 1K OHM 1/6W +/-5%	1	R600A
18-CB0102-JNX	RES. C. F. 1K OHM 1/6W +/-5%	1	R429
18-CB0102-JNX	RES. C. F. 1K OHM 1/6W +/-5%	1	R316
18-CB0102-JNX	RES. C. F. 1K OHM 1/6W +/-5%	1	R314
18-CB0103-JNX	RES. C. F. 10K OHM 1/6W +/-5%	1	R603
18-CB0103-JNX	RES. C. F. 10K OHM 1/6W +/-5%	1	R604
18-CB0103-JNX	RES. C. F. 10K OHM 1/6W +/-5%	1	R605
18-CB0103-JNX	RES. C. F. 10K OHM 1/6W +/-5%	1	R615
18-CB0104-JNX	RES. C. F. 100K OHM 1/6W +/-5%	1	R284
18-CB0122-JNX	RES. C. F. 1.2K OHM 1/6W +/-5%	1	R300
18-CB0221-JNX	RES. C. F. 220 OHM 1/6W +/-5%	1	R283
18-CB0222-JNX	RES. C. F. 2.2K OHM 1/6W +/-5%	1	R350
18-CB0302-JNX	RES. C. F. 3K OHM 1/6W +/-5%	1	R606
18-CB0302-JNX	RES. C. F. 3K OHM 1/6W +/-5%	1	R600
18-CB0331-JNX	RES. C. F. 330 OHM 1/6W +/-5%	1	R281
18-CB0392-JNX	RES. C. F. 3.9K OHM 1/6W +/-5%	1	R424
18-CB0471-JNX	RES. C. F. 470 OHM 1/6W +/-5%	1	R285
18-CB0473-JNX	RES. C. F. 47K OHM 1/6W +/-5%	1	R607
18-CB0473-JNX	RES. C. F. 47K OHM 1/6W +/-5%	1	R614
18-CB0562-JNX	RES. C. F. 5.6K OHM 1/6W +/-5%	1	R428
18-CB0563-JNX	RES. C. F. 56K OHM 1/6W +/-5%	1	R602
18-CB0683-JNX	RES. C. F. 68K OHM 1/6W +/-5%	1	R418
18-CD0121-JNX	RES. C. F. 120 OHM 1/4W +/-5%	1	R411
18-CD0222-JNX	RES. C. F. 2.2K OHM 1/4W +/-5%	1	R315
18-CE0220-JNX	RES. C. F. 22 OHM 1/2W +/-5%	1	R410

PART NO.	SEPC	SINGLE QTY	LOCATION
18-EE0109-JNX	RES. FUS. 1 OHM 1/2W +/-5%	1	R450
18-FE0472-JNX	RES. M. O. 4.7K OHM 1/2W +/-5%	1	R425
25-BDB101-M1X	CAP. ELEC 100 UF 25V +/-20%	1	C324
25-BDB101-M1X	CAP. ELEC 100 UF 25V +/-20%	1	C605
25-BDB221-M1X	CAP. ELEC 220UF 25V +/-20%	1	C308
25-BDB470-M1X	CAP. ELEC 47 UF 25V +/-20%	1	C307
25-BEB101-M1X	CAP. ELEC 100 UF 35V +/-20%	1	C323
25-BEB101-M1X	CAP. ELEC 100 UF 35V +/-20%	1	C360
25-BFB101-M1X	CAP. ELEC 100 UF 50V +/-20%	1	C300
25-BFB228-M1X	CAP. ELEC 0.22 UF 50V +/-20%	1	C606A
25-BFB228-M1X	CAP. ELEC 0.22 UF 50V +/-20%	1	C601
25-BFB479-M1X	CAP. ELEC 4.7 UF 50V +/-20%	1	C607
25-BFB479-M1X	CAP. ELEC 4.7 UF 50V +/-20%	1	C417
25-BFB479-M1X	CAP. ELEC 4.7 UF 50V +/-20%	1	C313
26-ABC223-ZFX	CAP. CER 0.022UF 50V +80-20% F	1	C404
26-AIC221-KBX	CAP. CER 220 PF 500V +/-10% B	1	C401
26-AIC221-KBX	CAP. CER 220 PF 500V +/-10% B	1	C418
26-AIC221-KBX	CAP. CER 220 PF 500V +/-10% B	1	C419
26-AIC391-KBX	CAP. CER 390 PF 500V +/-10% B	1	C403
26-AIC472-KBX	CAP. CER 4700 PF 500V +/-10% B	1	C420
26-EBP102-KBS	CAP. CER 1000 PF 50V +/-20%	1	C337
26-EBP103-ZFX	CAP. CER 0.01UF 50V +80/-20% F	1	C407
26-EBP104-ZFS	CAP. CER 0.1UF 50V +80%/-20%	1	C604
26-EBP152-KBS	CAP. CER 1500PF 50V +/-10%	1	C350
26-EBP222-KBS	CAP. CER 2.2 NF 50V +/-10%	1	C351
26-EBP472-KBS	CAP. CER 4700PF 50V +/-10%	1	C422
27-MBC222-JOX	CAP. M. P. E 0.0022UF 63V +/-5%	1	C334
27-MBC224-JOX	CAP. M. P. E 0.22UF 63V +/-5%	1	C602
27-MBC224-JOX	CAP. M. P. E 0.22UF 63V +/-5%	1	C603
27-MBC334-JOX	CAP. M. P. E 0.33UF 63V +/-5%	1	C325
27-MCC104-JOX	CAP. M. P. E 0.1UF 100V +/-5%	1	C421
27-MCC104-JOX	CAP. M. P. E 0.1UF 100V +/-5%	1	C342
27-PBC102-JOX	CAP. P. E 0.001UF 63V +/-5%	1	C600
27-PBC102-JOX	CAP. P. E 0.001UF 63V +/-5%	1	C606
40-3290E5-LSD1X	P. C. B. LS BD	1	
41-WJ0060-B00	WIRE BARE JUMPER 6MM	1	J406
41-WJ0060-B00	WIRE BARE JUMPER 6MM	1	J301
41-WJ0060-B00	WIRE BARE JUMPER 6MM	1	J401
41-WJ0065-B00	WIRE BARE JUMPER 6.5MM	1	J612
41-WJ0065-B00	WIRE BARE JUMPER 6.5MM	1	J602
41-WJ0065-B00	WIRE BARE JUMPER 6.5MM	1	J404
41-WJ0065-B00	WIRE BARE JUMPER 6.5MM	1	J307
41-WJ0070-B00	WIRE BARE JUMPER 7MM	1	J608
41-WJ0070-B00	WIRE BARE JUMPER 7MM	1	JP401
41-WJ0075-B00	WIRE BARE JUMPER 7.5MM	1	J308
41-WJ0075-B00	WIRE BARE JUMPER 7.5MM	1	J402
41-WJ0075-B00	WIRE BARE JUMPER 7.5MM	1	J605
41-WJ0075-B00	WIRE BARE JUMPER 7.5MM	1	R282
41-WJ0075-B00	WIRE BARE JUMPER 7.5MM	1	J1303
41-WJ0080-B00	WIRE BARE JUMPER 8 MM	1	J305
41-WJ0085-B00	WIRE BARE JUMPER 8.5MM	1	J312
41-WJ0085-B00	WIRE BARE JUMPER 8.5MM	1	J303
41-WJ0085-B00	WIRE BARE JUMPER 8.5MM	1	J311
41-WJ0100-B00	WIRE BARE JUMPER 10MM	1	J309
41-WJ0100-B00	WIRE BARE JUMPER 10MM	1	J302
41-WJ0100-B00	WIRE BARE JUMPER 10MM	1	JP803
41-WJ0100-B00	WIRE BARE JUMPER 10MM	1	J403
41-WJ0100-B00	WIRE BARE JUMPER 10MM	1	J310
41-WJ0125-B00	WIRE BARE JUMPER 12.5MM	1	R422
41-WJ0125-B00	WIRE BARE JUMPER 12.5MM	1	J604
41-WJ0125-B00	WIRE BARE JUMPER 12.5MM	1	R323
41-WJ0125-B00	WIRE BARE JUMPER 12.5MM	1	J408
41-WJ0150-B00	WIRE BARE JUMPER 15MM	1	J607
41-WJ0150-B00	WIRE BARE JUMPER 15MM	1	L402
41-WJ0150-B00	WIRE BARE JUMPER 15MM	1	J313
41-WJ0150-B00	WIRE BARE JUMPER 15MM	1	J603
41-WJ0150-B00	WIRE BARE JUMPER 15MM	1	J606
41-WJ0150-B00	WIRE BARE JUMPER 15MM	1	J405
41-WJ0150-B00	WIRE BARE JUMPER 15MM	1	L401

PART NO.	SEPC	SINGLE QTY	LOCATION
66-343730-0B0	HOLLOW RIVET 1.6MMX3.0MMX3.2MM	2	FOR L400
66-343730-0B0	HOLLOW RIVET 1.6MMX3.0MMX3.2MM	4	FOR T402
66-343730-0B0	HOLLOW RIVET 1.6MMX3.0MMX3.2MM	1	FOR Q405
10-0BAV21-ABX	DIODE BAV21 (SW)	1	D707
10-0BAV21-ABX	DIODE BAV21 (SW)	1	D706
10-1N4148-ABX	DIODE 1N4148 (SWITCHING)	1	D702
10-1N4148-ABX	DIODE 1N4148 (SWITCHING)	1	D703
10-1N4148-ABX	DIODE 1N4148 (SWITCHING)	1	D704
10-1N4148-ABX	DIODE 1N4148 (SWITCHING)	1	D705
10-HS5V1B-DBX	DIODE 500MW 5.1HSB	1	D701
11-SA1015-YBX	TRANSISTOR 2SA1015Y (PNP)	1	Q706
11-SC1815-YBX	TRANSISTOR 2SC1815-Y (NPN)	1	Q702
11-SC1815-YBX	TRANSISTOR 2SC1815-Y (NPN)	1	Q701
11-SC1815-YBX	TRANSISTOR 2SC1815-Y (NPN)	1	Q705
11-SC1815-YBX	TRANSISTOR 2SC1815-Y (NPN)	1	Q704
11-SC1815-YBX	TRANSISTOR 2SC1815-Y (NPN)	1	Q703
18-CB0100-JNX	RES. C. F. 10 OHM 1/6W +/-5%	1	R713
18-CB0101-JNX	RES. C. F. 100 OHM 1/6W +/-5%	1	R707
18-CB0101-JNX	RES. C. F. 100 OHM 1/6W +/-5%	1	R701
18-CB0102-JNX	RES. C. F. 1K OHM 1/6W +/-5%	1	R703
18-CB0102-JNX	RES. C. F. 1K OHM 1/6W +/-5%	1	R704
18-CB0103-JNX	RES. C. F. 10K OHM 1/6W +/-5%	1	R702
18-CB0122-JNX	RES. C. F. 1.2K OHM 1/6W +/-5%	1	R718
18-CB0123-JNX	RES. C. F. 12K OHM 1/6W +/-5%	1	R722
18-CB0151-JNX	RES. C. F. 150 OHM 1/6W +/-5%	1	R706
18-CB0152-JNX	RES. C. F. 1.5K OHM 1/6W +/-5%	1	R717
18-CB0152-JNX	RES. C. F. 1.5K OHM 1/6W +/-5%	1	R724
18-CB0220-JNX	RES. C. F. 22 OHM 1/6W +/-5%	1	R715
18-CB0220-JNX	RES. C. F. 22 OHM 1/6W +/-5%	1	R714
18-CB0221-JNX	RES. C. F. 220 OHM 1/6W +/-5%	1	R712
18-CB0222-JNX	RES. C. F. 2.2K OHM 1/6W +/-5%	1	R725
18-CB0223-JNX	RES. C. F. 22K OHM 1/6W +/-5%	1	R710
18-CB0273-JNX	RES. C. F. 27K OHM 1/6W +/-5%	1	R709
18-CB0471-JNX	RES. C. F. 470 OHM 1/6W +/-5%	1	R705
18-CB0561-JNX	RES. C. F. 560 OHM 1/6W +/-5%	1	R708
18-CB0682-JNX	RES. C. F. 6.8K OHM 1/6W +/-5%	1	R711
18-CB0683-JNX	RES. C. F. 68K OHM 1/6W +/-5%	1	R723
18-CB0683-JNX	RES. C. F. 68K OHM 1/6W +/-5%	1	R721
18-CD0279-JNX	RES. C. F. 2.7 OHM 1/4W +/-5%	1	R727
18-CD0279-JNX	RES. C. F. 2.7 OHM 1/4W +/-5%	1	R720
18-CD0560-JNX	RES. C. F. 56 OHM 1/4W +/-5%	1	R726
18-CD0560-JNX	RES. C. F. 56 OHM 1/4W +/-5%	1	R719
25-BCB100-M1X	CAP. ELEC 10 UF 16V +/-20%	1	C711
25-BCB101-M1X	CAP. ELEC 100 UF 16V +/-20%	1	C703
25-BCB470-M1X	CAP. ELEC 47 UF 16V +/-20%	1	C705
25-BCB470-M1X	CAP. ELEC 47 UF 16V +/-20%	1	C712
25-BCB470-M1X	CAP. ELEC 47 UF 16V +/-20%	1	C702
25-BFB229-M1X	CAP. ELEC 2.2 UF 50V +/-20%	1	C704
26-AIC472-KBX	CAP. CER 4700 PF 500V +/-10% B	1	C709
26-AIC472-KBX	CAP. CER 4700 PF 500V +/-10% B	1	C707
26-EBP101-JCS	CAP. CER 100 PF 50V +/-5%	1	C706
26-EBP101-JCS	CAP. CER 100 PF 50V +/-5%	1	C708
26-EBP103-ZFX	CAP. CER 0.01UF 50V +80/-20% F	1	C701
34-A100K0-1IX	COIL CHOKE 10 UH +/-10%	1	L701A
35-LB1005-0IX	FERR BEAD H75 (3.5X1X5)	1	L704
35-LB1005-0IX	FERR BEAD H75 (3.5X1X5)	1	L702
35-LB1005-0IX	FERR BEAD H75 (3.5X1X5)	1	L703
40-HD297P-VMF1X	P. C. B. BD	1	
41-WJ0060-B00	WIRE BARE JUMPER 6MM	1	J703
06-015W49-A001X	REMOTE CONTROLLER RC0678/00	1	
02-GND032-XX0	ASS"Y - CRT GND WIRE&HOUSE	1	
25-DFB229-M1X	CAP. ELEC 2.2 UF 50V +/-20% BP	1	FOR SP602
25-DFB229-M1X	CAP. ELEC 2.2 UF 50V +/-20% BP	1	FOR SP601
36-DEG340-XX0	DEGAUSSING COIL 3910MM	1	
36-ROT002-XX0	ROTARY COIL 600MM	1	
41-BF0300-0P2	WIRE 1007#24	1	
42-12008H-XX1	SPEAKER (120MMX120MM) 8 OHM 15W	1	SP602
42-12008H-XX1	SPEAKER (120MMX120MM) 8 OHM 15W	1	SP601
42-G3508F-XX2	SPEAKER 8 OHM 8W	1	SP602A

PART NO.	SEPC	SINGLE QTY	LOCATION
42-G3508F-XX2	SPEAKER 8 OHM 8W	1	SP601A
44-32RFLV-OR1A	32"CRT W76QEL592X018	1	CRT01
46-27264H-02X	HS 2P22 F/W 700/7MM S11-02H	1	SP601 FOR M.BD P601
46-28354H-02X	HS 2P22 F/W 810/7 TJC3-2Y	1	SP602 FOR M.BD P600
46-32273H-03X	HS 3P24 150/5 TJC3-3Y	1	FOR VM BD P703
46-33638H-02X	HS 2P22 200/5 SM-2A	1	FOR SP602
46-33638H-02X	HS 2P22 200/5 SM-2A	1	FOR SP601
46-35009H-02X	HS 2P22 320/5 SM-2Y	1	FOR SP601A,
46-35009H-02X	HS 2P22 320/5 SM-2Y	1	FOR SP602A
48-DAM002-XX0	DAMPTEED SHAFT 2N-2	2	
48-LOC002-XX0	SW. DOOR LOCK PR5	1	
54-113970-OU0	PVC TUBE AWG NO. 5	0.24	FOR P604 & P605
54-114000-00X	FELT TAPE (150MMX19MMX0.3MM)	9	MTG CRT&F. CAB
54-314740-0X0	CRT FIBRE SHEET (22MMX22MMX0.8MM)	8	FOR CRT & F. CAB
54-314740-0X0	CRT FIBRE SHEET (22MMX22MMX0.8MM)	4	STICK BETWEEN CRT AND UNDERPROP
54-314740-0X0	CRT FIBRE SHEET (22MMX22MMX0.8MM)	12	FOR CRT & F. CAB.
54-343300-0X0	HEAT SHRINKABLE TUBE 3 X 0.25	0.03	FOR R01
54-343300-0X0	HEAT SHRINKABLE TUBE 3 X 0.25	0.08	FOR HI-SPEAKER
54-344960-000	WOOFER SPONGE (255MMX20MMX18MM)	2	
54-377380-000	SPONGE OF WOOFER FIXED POSITION	2	STICK ON WOOFER
55-326470-OHD	3290/2990SOUNDBOX左frontcabinet	1	
55-326480-OHD	3290/2990SOUNDBOX右frontcabinet	1	
55-326490-OHD	3290/2990SOUNDBOXBOTTOMCABINET	2	
55-3290FC-1CN9B	FRONT CABINET	1	
55-3290FD-1HN5C	FRONT DOOR	1	
56-301770-OHN5C	HOLDER DOOR	2	
56-326430-OHH9A	LENS	1	
56-3290FB-OHA50	PUSH BUTTON	1	
56-3290LS-OHC5Z	LED - SENSOR	1	
56-3290PK-OHA5C	POWER KNOB	1	
56-3290SL-1HN5C	SPEAKER GRILLE(LEFT)	1	
56-3290SR-1HN5C	SPEAKER GRILLE(RIGHT)	1	
57-10654X-00F	TWIST TIE NY66	1	FOR DEGAUSSING
57-10654X-00F	TWIST TIE NY66	2	FOR P601 & P602
57-10654X-00F	TWIST TIE NY66	1	FOR ROTATE COIL
57-10654X-00F	TWIST TIE NY66	4	
57-29635X-00F	CABLE TIES (4.8MMX160MM)	2	FOR DEGAUSSING
58-3290FI-1UI1B	INLAY FRONT CTL	1	
59-130460-00X	RUBBER PAD (25MMX7MM)	2	FOR FOOT
59-312950-000	RUBBER PAD	6	
62-200980-OHA	MOUNTING POST	2	STICK ON F. CAB
62-216340-OUN	HOLDER POWER CORD HIPS-KINGFA 113 (VO)	1	
62-216780-00I	'KCC' P. E. WIRE BINDING, L=30CM	1	FOR DEGAUSSING
62-216780-00I	'KCC' P. E. WIRE BINDING, L=30CM	1	
62-216780-00I	'KCC' P. E. WIRE BINDING, L=30CM	2	FOR DEGAUSSING
62-227680-OUA	BRACKET ABS-KINGFA 606 (UO)	1	
62-227680-1UA	FBT BRACKET	1	
62-265160-OHA	POWER SW. ADAPTOR	1	FOR POWER SWITCH
62-301750-OHN	RIGHT HOLDER(2)	1	
62-301760-OHN	LEFT HOLDER(2)	1	
62-321780-OHG	CRT COIL MTG 25"/29"	4	FOR CRT
62-326460-OHN	SPEAKER HOLDER	2	
63-B26080-AB4	S/T SCREW B 2.6 X 8 AB	2	MTG VM BD
63-B30100-BT4	S/T SCREW B 3 X 10 BT	3	MTG PUSH BOTTON TO F. CAB
63-B40150-AB4	S/T SCREW B 4 X 15 AB	12	MTG TOP CAB. (WOOFER) TO BOTTOM CAB.
63-B40150-AB4	S/T SCREW B 4 X 15 AB	8	MTG SPEAKER HOLDER TO TOP CAB. (WOOFER)
63-B40150-AB4	S/T SCREW B 4 X 15 AB	8	MTG SPEAKER TO TOP CAB. (WOOFER)
63-B40200-AB3	S/T SCREW B 4 X 20 AB	6	MTG SPEAKER HOLDER TO F. CAB
63-W30080-AB4	S/T SCREW W 3 X 8 AB	4	MTG LENS-SENOR & LED TO FRONT CABINET
63-W30100-AB4	S/T SCREW W 3 X 10 AB	3	MTG KEY BD
63-W30120-AB4	S/T SCREW W 3 X 12 AB	4	MTG HI-SPEAKER TO F. CAB
63-Z60300-AB4	S/T SCREW HA 6X30	4	MTG CRT TO F. CAB
65-A50200-20E	WASHER 5 X 20 X 2MM	6	MTG SPEAKER HOLDER TO F. CAB
67-274400-1A0AB	LOGO	1	
67-X21679-OE0	SPRING CRT 6MMX50MMX0.6MM	2	FOR CRT GROUNDING WIRE
67-X25045-OE0	SPRING KNOB	1	
49-382550-BAT	BATTERY R06P AA 1.5V 5#	2	
62-275340-OHD	PACKING HANDLE	6	
70-TEACFL-CTN9A	PROPAGANDIZE VOLUME	1	

PART NO.	SEPC	SINGLE QTY	LOCATION
71-310880-0A01M	LABEL	2	
71-TEACAU-BAR9G	LABEL	2	
71-TEACAU-RMD9A	LABEL	1	
71-TEACAU-SCR9J	LABEL	1	
71-TEACAU-SER6K	LABEL	4	
72-329045-E639A	OPERATION MANUAL	1	
74-022032-6WEAD	PLASTIC BAG	1	
74-160140-80HAA	POLYBAG (160CMX140CM)	1	
75-3290LL-CCO	POLYFOAM (LL)	1	
75-3290LR-CCO	POLYFOAM (LR)	1	
75-3290UL-CCO	POLYFOAM (UL)	1	
75-3290UR-CCO	POLYFOAM (UR)	1	
76-H32A90-0AT9C	CARTON BOX	1	
55-3290RC-1CN5C	REAR CABINET	1	
58-3290MP-OUI9C	PLATE MODEL NO.	1	
58-422910-3UI1A	INLAY REAR AV	1	
58-CA41RI-FUI9A	INLAY REAR AV	1	
59-344420-000	RUBBER	4	
63-B40200-AB2	S/T SCREW B 4 X 20 AB	5	MTG REAR CABINET & FRONT CABINET
63-B40300-AB2	S/T SCREW B 4 X 30 AB	2	MTG REAR CABINET & FRONT CABINET
63-F30100-BT3	S/T SCREW F 3 X 10 BT	4	MTG RCA JACK & REAR CABINET
51-JC0243-0PB01	POWER CORD	1	
63-W30080-AB4	S/T SCREW W 3 X 8 AB	2	
63-W30100-AB4	S/T SCREW W 3 X 10 AB	3	
11-SC4544-OAX	TRANSISTOR 2SC4544	1	Q531
11-SC4544-OAX	TRANSISTOR 2SC4544	1	Q511
11-SC4544-OAX	TRANSISTOR 2SC4544	1	Q521
18-BE0152-KFX	RES C. C. 1.5K OHM 1/2W +/-10%	1	R541
18-FF0330-JGX	RES. M. O. 33 OHM 1W +/-5%	1	R505
18-FG0153-JHX	RES. M. O. 15K OHM 2W +/-5%	1	R525
18-FG0153-JHX	RES. M. O. 15K OHM 2W +/-5%	1	R535
18-FG0153-JHX	RES. M. O. 15K OHM 2W +/-5%	1	R515
25-BLA100-M1X	CAP. ELEC 10 UF 250V +/-20%	1	C540
25-BLA220-M1X	CAP. ELEC 22 UF 250V +/-20%	1	C503
26-AMK102-KRX	CAP. CER 1000 PF 2KV +/-10% R	1	C505
27-AGP223-JOX	CAP. M. PP 0.022UF 250V +/-5%	1	C504
34-R100K2-1BX	COIL CHOKE 10 UH +/-10%	1	L501
46-10967W-01X	PIN BASE *1 TJC1-1A	1	P504
46-31795H-04X	HS 550 TJC3-4Y/SCN-4Y 2(N)	1	FOR P502 TO P403
46-37033H-05X	HS 5P 2468#24 320 TJC3-5Y/SCN	1	P503 PIN1 TO PIN5
47-CRT011-AX0	CRT SOCKET GZS10-208(DR)	1	P500
63-W30100-AB4	S/T SCREW W 3 X 10 AB	3	MTG DIGITAL PCB TO CHASSIS BRACKET
54-128700-0X0	FIBRE WASHER (3.3MMX10MMX0.8MM)	1	
64-B30100-104	M/C SCREW B 3 X 10	1	MTG DPC BD & H. SINK(IC301)
65-Z30050-23M	NUT M 3	1	
10-ORU3YX-FOX	DIODE RU3YX (FAST RECTIFIER)	1	D825
10-ORU4YX-FOX	DIODE GRU4YX (FAST RECOVERY)	1	D806
10-MUR460-FOX	DIODE MUR460 (FAST RECOVERY)	1	D805
10-RS405M-H7X	DIODE ZENER RS405M (4.0A/600V)	1	DB801
11-SK3451-OCX	TRANSISTOR 2SK3451-01MR	1	Q805
13-000TL4-31T	IC TL431ACL	1	IC803
13-DA1684-62P	IC TDA1684-2(Q67040-S4494)	1	IC801
13-PC123X-9YP	PHOTOCOUPLER PC123X9YFZ	1	IC800
18-FG0223-JHX	RES. M. O. 22K OHM 2W +/-5%	1	R817
18-FG0273-JHX	RES. M. O. 27K OHM 2W +/-5%	1	R877
18-FG0333-JHX	RES. M. O. 33K OHM 2W +/-5%	1	R816
18-KF0825-JH3	RES. H. VOLT. CC 8.2M OHM 1W +/-5%	1	R882
18-RG0228-JHX	RES. WIRE ROUND 0.22 OHM 2W +/-5%	1	J817
22-NTC479-XX0	NTC 4.7 OHM +/-18% NTC4.7D2-14	1	R821
22-PTC909-3A5	PTC 9 OHM	1	RT800
22-VDR471-XX0	VARISTOR RESISTANCE MYG-14K300	1	VR803
25-BCA222-M1X	CAP. ELEC 2200 UF 16V +/-20%	1	C846
25-BJG221-M1X	CAP. ELEC 220 UF 160V +/-20%	1	C814
25-BMJ221-M1X	CAP. ELEC 220 UF 400V +/-20%	1	C829
25-GDA102-M1X	CAP ELEC 1000UF 25V +/-20% 105	1	C815
26-ABC104-ZFX	CAP. CER 0.1 UF 50V +80-20% F	1	C837
26-AIM103-KBX	CAP. CER 0.01UF 500V +/-10% B	1	C818
26-AIM103-KBX	CAP. CER 0.01UF 500V +/-10% B	1	C824
26-AMK182-KRX	CAP. CER 1800PF 2KV +/-10% R	1	C836

PART NO.	SEPC	SINGLE QTY	LOCATION
26-AMK221-JZX	CAP. CER 220PF 2KV +/-5% SL	1	C820
26-AMK221-JZX	CAP. CER 220PF 2KV +/-5% SL	1	C827
26-APK102-ME4	CAP. CER 1000PF 400VAC+/-20% E	1	C882
26-APK471-KB4	CAP. CER 470 PF 400VAC +/-10%	1	C835A
26-APK471-KB4	CAP. CER 470 PF 400VAC +/-10%	1	C828A
26-AQK472-ZFX	CAP. CER 4700PF 250VAC +80%-20% F	1	C835
26-AQK472-ZFX	CAP. CER 4700PF 250VAC +80%-20% F	1	C828
27-AQT224-MV3	CAP. M. PP 0. 22UF 250VAV +/-20%	1	C822
27-AQT224-MV3	CAP. M. PP 0. 22UF 250VAV +/-20%	1	C813
27-MHW104-KOX	CAP. M. P. E 0. 1 UF 400V +/-10%	1	C823
27-MQQ683-MOX	CAP. M. P. E 0. 068UF 250VAC +/-20%	1	C825
34-R101K2-1BX	COIL CHOKE 100 UH +/-10%	1	L800
34-R101K2-1BX	COIL CHOKE 100 UH +/-10%	1	L804
35-237250-00X	FERR. BEAD HF70 4. 5X5. 0	2	FOR D805
35-237250-00X	FERR. BEAD HF70 4. 5X5. 0	2	FOR D806
35-237250-00X	FERR. BEAD HF70 4. 5X5. 0	2	FOR D825
36-LIF002-AX0	LINE FILTER 20MH	1	T800
36-LIF002-AX0	LINE FILTER 20MH	1	T802
36-TRF164-AX0	TRANSFORMER CONV. BCK-4925	1	T801
43-TSS112-DMX	RELAY POWER SMIT-SS-112DM 12V	1	D809
46-10962W-02X	PIN BASE *2 TJC2-2A	1	P803
46-28559W-02X	PIN BASE *2 TJC1-2A	1	P802
46-30214H-03X	HS UL2468 200 TJC3-3Y/SCN-3Y	1	FOR S809 TO P809
46-35184W-03X	PIN BASE *3 TJC1-3A	1	S801
46-AA015T-03F	HS 3P 1617#22 150MM TJC1-3Y*2	1	FOR S801 TO P860
46-AA035F-02F01	HS 2P 1617#22 350MM TJC1-2Y*2	1	FOR P802
46-CD030T-02001	HS 2P UL1185#24 TJC3-2Y/SCN-2Y L=300	1	S807
50-02000D-NUU	FUSE 2A 250VAC	1	R883
50-03150D-1GS1	FUSE 3. 15AT 250VAC 5MMX20MM	1	F800
50-05000D-NUU	FUSE 5A 250VAC	1	R884
57-10654X-00F	TWIST TIE NY66	3	
64-P30080-104	M/C SCREW P 3 X 8	1	FOR Q805
66-20516X-0B0	FUSE HOLDER	2	FOR F800
67-H38012-BA0	HEAT SINK	1	FOR Q805
71-DYP000-WX1	LABEL	1	FOR Q805
V8-TIDM68-03M12	SOFTWARE CODE	1	FOR IC200
18-FG0100-JHX	RES. M. O. 10 OHM 2W +/-5%	1	R1301
46-33079W-02X	PIN BASE *2 TJC3-2A	1	P1301
10-TE2515-FOX	DIODE TE2515 (FAST RECOVER)	1	D401
11-630MFP-OAX	TRANSISTOR IRF630MFP	1	Q407
11-DD3402-OAX	TRANSISTOR 3DD3402	1	Q405
13-DA7266-SAS	IC TDA7266SA	1	IC600
13-STV817-2AS	IC STV8172A	1	IC300
18-EF0109-JGX	RES. FUS. 1 OHM 1W +/-5% (LS)	1	R426
18-EF0109-JGX	RES. FUS. 1 OHM 1W +/-5% (LS)	1	R427
18-EF0339-JGX	RES. FUS. 3. 3 OHM 1W +/-5%	1	R422A
18-EG0478-JHX	RES. FUS. 0. 47 OHM 2W +/-5%	1	R423
18-EG0680-JHX	RES. FUSE 2W 68 OHM +/-5%	1	R402
18-FF0154-JGX	RES. M. O. 150K OHM 1W +/-5%	1	R435
18-FG0129-JHX	RES. M. O. 1. 2 OHM 2W +/-5%	1	R321
18-FG0181-JHX	RES. M. O. 180 OHM 2W +/-5%	1	R324
18-FG0399-JHX	RES. M. O. 3. 9 OHM 2W +/-5%	1	R420
18-FG0681-JHX	RES. M. O. 680 OHM 2W +/-5%	1	R401
18-RF0109-JGX	RES. WIRE ROUND 1 OHM 1W +/-5%	1	R313
18-RG0228-JHX	RES. WIRE ROUND 0. 22 OHM 2W +/-5%	1	R601
25-264610-M1X	CAP. ELEC 4. 7UF 50V +/-20% NP	1	C412
25-BCA102-M1X	CAP. ELEC 1000 UF 16V +/-20%	1	C403A
25-BDA471-M1X	CAP. ELEC 470 UF 25V +/-20%	1	C623
25-BEA102-M1X	CAP. ELEC 1000 UF 35V +/-20%	1	C415
25-BEA102-M1X	CAP. ELEC 1000 UF 35V +/-20%	1	C416
25-BJG221-M1X	CAP. ELEC 220 UF 160V +/-20%	1	C806
25-BLA220-M1X	CAP. ELEC 22 UF 250V +/-20%	1	C400
27-AGR334-JSX	CAP. M. PP 0. 33 UF 250V +/-5%	1	C414
27-ALR272-JOX	CAP. M. PP 0. 0027UF 1. 6KV +/-5%	1	C408
27-ALR722-JOX	CAP. M. PP 0. 0072UF 1. 6KV +/-5%	1	C410
27-ALR762-JOX	CAP. M. PP 0. 0076UF 1. 6KV +/-5%	1	C413
27-RHQ153-JOX	CAP. PP 0. 015 UF 400V +/-5%	1	C411
36-HDR031-XX0	TRANSFORMER HOR. DRIVE BCT-1213	1	T401
36-LIN210-XX1	COIL LINEARITY 21 UH	1	L400

PART NO.	SEPC	SINGLE QTY	LOCATION
36-WID472-XX1	COIL WIDTH 4.7MM TD1016A4701	1	L404
36-WID801-XX1	COIL WIDTH 800 UH	1	L403
37-FDA002-FBA1A	FBT BSC29-0185X	1	T402
46-12866W-02X	PIN BASE *2 S11-02Y	1	P601
46-20598W-04X	PIN BASE *4 TJC1-4A	1	FOR P411
46-28242H-02X	HS 2P24 F/W 120 TJC3-2Y/SCN-2Y	1	FOR S407 TO P407
46-33079W-02X	PIN BASE *2 TJC3-2A	1	P600
46-33079W-04X	PIN BASE *4 TJC3-4A	1	P401
46-33079W-04X	PIN BASE *4 TJC3-4A	1	P403
46-37034H-06X	HS 6P 2468#24 200 TJC3-6Y/SCN	1	FOR S406 TO P406
46-CD005T-04J	HS 4P 2468#24 50MM TJC3-4Y/TJC3-4Y	1	FOR S405 TO P405
46-CD005T-05J	HS 5P 2468#24 50MM TJC3-4Y/TJC3-4Y	1	FOR S603 TO P603
46-CD005T-06J	HS 6P 2468#24 50MM TJC3-6Y/TJC3-6Y	1	FOR S810 TO P810
63-B30100-AB3	S/T SCREW B 3 X 10 AB	1	FOR Q407
63-B30100-AB4	S/T SCREW B 3 X 10 AB	2	FOR IC600
63-W30100-AB4	S/T SCREW W 3 X 10 AB	3	MTG MAIN BD TO MAIN BD BRACKET
64-P30080-104	M/C SCREW P 3 X 8	1	FOR IC300
64-P30080-104	M/C SCREW P 3 X 8	1	FOR Q405
65-Z30050-23M	NUT M 3	1	FOR IC300
65-Z30050-23M	NUT M 3	1	FOR Q405
67-H30147-0A0	HEAT SINK	1	FOR Q405
67-H30179-7A0	HEAT SINK	1	FOR IC300
67-H40067-2A0	STANDARD HEAT SINK	1	FOR Q407
67-H41341-3A0	HEAT SINK	1	FOR IC600
67-M40068-1E4	CRT BRACKET	1	FOR Q407
67-M41117-0E4	BRACKET	1	FOR IC600
70-271510-00A	SERVICE CARD	1	FOR PRODUCTION USE
71-270870-0A9	LABEL	2	
07-389FI5-NC3G	TUNER UV1316T/A LG-3	1	TU100
11-2SD882-0AX	TRANSISTOR 2SD882-P (NPN)	1	Q080
13-00M24C-16P	IC 16K EEPROM M24C16 (WRITE)	1	IC001
18-FF0109-JGX	RES. M. O. 1 OHM 1W +/-5%	1	R213A
18-FF0109-JGX	RES. M. O. 1 OHM 1W +/-5%	1	R213
18-FG0100-JHX	RES. M. O. 10 OHM 2W +/-5%	1	R059
18-FG0100-JHX	RES. M. O. 10 OHM 2W +/-5%	1	R015
41-BF0150-2BB	WIRE UL 1007 #24 150MM RED	1	A TO A
41-PG0250-ORR	CABLE 75/250 ANGLE 90 RCA PLUG	1	FOR TU100
45-OSC24M-5N0	CRYSTAL 24.576 MHZ	1	Z200
45-SAWK39-53D	S. A. W B39389-K3953-N201	1	Z100
45-SAWK94-53D	S. A. W B39389-K9453-N201	1	Z101
46-10967W-01X	PIN BASE *1 TJC1-1A	1	G1
46-33079W-02X	PIN BASE *2 TJC3-2A	1	P407
46-33079W-03X	PIN BASE *3 TJC3-3A	1	P201
46-33079W-04X	PIN BASE *4 TJC3-4A	1	P405
46-33079W-04X	PIN BASE *4 TJC3-4A	1	P003
46-33079W-05X	PIN BASE *5 TJC3-5A	1	P001
46-33079W-05X	PIN BASE *5 TJC3-5A	1	P603
46-33079W-05X	PIN BASE *5 TJC3-5A	1	P202
46-33079W-06X	PIN BASE *6 TJC3-6A	1	P810
46-33079W-06X	PIN BASE *6 TJC3-6A	1	P406
46-33079W-07X	PIN BASE *7 TJC3-7A	1	P200
46-CD025T-06001	HS 6P UL2405#24 TJC3-6Y/SCN-6P L=250	1	P008
46-CD030T-03M	HS 3P UL2547#26 TJC3-3Y/SCN-3Y L=300	1	P209
46-CD030T-04G	HS 4P UL1185#26 TJC3-4Y/SCN-4Y L=300	1	P921
47-RCA023-XX1	RCA JACK 3 PV YEL WHI RED/SW	1	P900
47-RCA023-XX1	RCA JACK 3 PV YEL WHI RED/SW	1	P902
47-RCA089-XX0	RCA SOCKET AV-3. 2-3LK-N2	1	P904
62-411300-0UN	BRACKET	1	
63-W30100-AB4	S/T SCREW W 3 X 10 AB	6	
64-P30080-104	M/C SCREW P 3 X 8	1	FOR Q080
67-H10918-4M2	HEAT SINK	1	FOR Q080
63-W30100-AB4	S/T SCREW W 3 X 10 AB	4	
40-3290A5-FVB1X	P. C. B. FRONT AV BD	1	
46-39136H-07X	7P 2468#24/1185#26 550 TJC3-7Y/SCN-7Y	1	P961 FOR M. BD P200
47-RCA162-XX0	RCA SOCKET AV-3. 2-3WK-046	1	P941
47-SVI002-XX1	Y/C SOCKET DSW-13 (VERTICAL TYPE)	1	P951
27-MHM104-KOX	CAP. M. P. E 0.1 UF 400V +/-10%	1	C1503
27-MHM104-KOX	CAP. M. P. E 0.1 UF 400V +/-10%	1	C1502
27-MHM104-KOX	CAP. M. P. E 0.1 UF 400V +/-10%	1	C1504

PART NO.	SEPC	SINGLE QTY	LOCATION
27-MHM104-KOX	CAP. M. P. E 0. 1 UF 400V +/-10%	1	C1505
27-RHQ563-JOX	CAP. PP 0.056 UF 400V +/-5%	1	C1501
36-WID242-XX1	COIL CHOKE 2. 4 MH	1	L1502
36-WID920-XX1	COIL WIDTH 92 UH	1	L1501
40-2975MT-DPA	P. C. B. DPC BD	1	
41-BF0220-3BB	WIRE UL 1007 #24 220MM ORG.	1	FOR"A" TO "A2"(M. BD)
41-BF0220-8BB	WIRE UL 1007 #24 220MM GREY	1	FOR"B" TO "A1"(M. BD)
41-BF0220-9BB	WIRE UL 1007 #24 220MM WHITE	1	FOR"C" TO "A3"(M. BD)
02-IRR001-XX1	IR RECEIVER MODULE HRM380017	1	IR001
14-LED03R-XX1	LED RED Φ3MM F0203	1	D001
25-BCB470-M1X	CAP. ELEC 47 UF 16V +/-20%	1	C001
46-39161H-05X	HS 5P 2468#24 400MM TJC3-5Y/JC25-5Y	1	P001
48-TAC001-XX0	TACT SWITCH	1	K004
48-TAC001-XX0	TACT SWITCH	1	K002
48-TAC001-XX0	TACT SWITCH	1	K003
48-TAC001-XX0	TACT SWITCH	1	K007
48-TAC001-XX0	TACT SWITCH	1	K008
48-TAC001-XX0	TACT SWITCH	1	K005
48-TAC001-XX0	TACT SWITCH	1	K006
11-SC1815-YBX	TRANSISTOR 2SC1815-Y (NPN)	1	Q861
13-TEA152-OPP	IC TEA1520P	1	IC860
22-NTC509-XX0	NTC S236-5. 0M	1	RT860
25-BCA102-M1X	CAP. ELEC 1000 UF 16V +/-20%	1	C866
25-BCA471-M1X	CAP. ELEC 470 UF 16V +/-20%	1	C868
25-BFB109-M1X	CAP. ELEC 1 UF 50V +/-20%	1	C893
25-BMG220-M1X	CAP. ELEC 22UF 400V +/-20%	1	C861
26-ABC104-ZFX	CAP. CER 0. 1 UF 50V +80-20% F	1	C867
26-ABC104-ZFX	CAP. CER 0. 1 UF 50V +80-20% F	1	C862
26-AIC221-KBX	CAP. CER 220 PF 500V +/-10% B	1	C869
26-AIM103-KBX	CAP. CER 0. 01UF 500V +/-10% B	1	C860
26-APK101-KBX	CAP. CER 100 PF 400VAC +/-10%	1	C890
26-APK102-ME4	CAP. CER 1000PF 400VAC+/-20% E	1	C894
27-MBC104-JOX	CAP. M. P. E 0. 1 UF 63V +/-5%	1	C864
34-R101K2-1BX	COIL CHOKE 100 UH +/-10%	1	L861
36-TRF165-AX0	TRANSFORMER CONV. BCK-1917	1	T860
43-MITSH1-5DX	RELAY SMIT-SH-105PM	1	K860
46-33079W-03X	PIN BASE *3 TJC3-3A	1	P809
46-35184W-03X	PIN BASE *3 TJC1-3A	1	P860
63-B30100-AB4	S/T SCREW B 3 X 10 AB	2	
40-3290A5-SWA1X	P. C. B. SWITCH BD	1	
46-28559W-02X	PIN BASE *2 TJC1-2A	1	P801
46-28559W-02X	PIN BASE *2 TJC1-2A	1	P802
48-POW001-AX0	SWITCH POWER	1	SW801
11-SA1837-OAX	TRANSISTOR 2SA1837	1	Q707
11-SC4793-OAX	STANSISTOR 2SC4793	1	Q708
18-FF0331-JGX	RES. M. O. 330 OHM 1W +/-5%	1	R716
18-FG0101-JHX	RES. M. O. 100 OHM 2W +/-5%	1	R728
25-BJA100-M1X	CAP. ELEC 10 UF 160V +/-20%	1	C710
25-BJA100-M1X	CAP. ELEC 10 UF 160V +/-20%	1	C713
26-AIC560-JZX	CAP. CER 56 PF 500V +/-5% SL	1	C714
46-32537H-03X	HS 3P24 400 TJC3-3Y/SCN-3Y	1	P701A FOR M. BD S701
46-33079W-03X	PIN BASE *3 TJC3-3A	1	P703 FOR CRT VM
46-33624H-04X	HS 3P 2468#24 270 TJC3-4Y/SCN-4Y	1	P702
64-B30080-104	M/C SCREW B 3 X 8	2	FOR Q707 & Q708
67-H34464-1A0	HEAT SINK (H=40MM)	2	FOR Q707 & Q708
10-1N4004-EBX	DIODE 1N4004 (RECTIFIER)	1	D540
10-1N4148-ABX	DIODE 1N4148 (SWITCHING)	1	D511
10-1N4148-ABX	DIODE 1N4148 (SWITCHING)	1	D531
10-1N4148-ABX	DIODE 1N4148 (SWITCHING)	1	D521
11-0BF422-OBX	TRANSISTOR BF422 (NPN) 126	1	Q532
11-0BF422-OBX	TRANSISTOR BF422 (NPN) 126	1	Q522
11-0BF422-OBX	TRANSISTOR BF422 (NPN) 126	1	Q512
11-0BF423-OBX	TRANSISTOR BF423 (PNP) 126	1	Q513
11-0BF423-OBX	TRANSISTOR BF423 (PNP) 126	1	Q533
11-0BF423-OBX	TRANSISTOR BF423 (PNP) 126	1	Q523
18-CD0102-JNX	RES. C. F. 1K OHM 1/4W +/-5%	1	R501
18-CD0225-JNX	RES. C. F. 2. 2M OHM 1/4W +/-5%	1	R540
18-CD0470-JNX	RES. C. F. 47 OHM 1/4W +/-5%	1	R502
18-CD0471-JNX	RES. C. F. 470 OHM 1/4W +/-5%	1	R536

PART NO.	SEPC	SINGLE QTY	LOCATION
18-CD0471-JNX	RES. C. F. 470 OHM 1/4W +/-5%	1	R528
18-CD0471-JNX	RES. C. F. 470 OHM 1/4W +/-5%	1	R526
18-CD0471-JNX	RES. C. F. 470 OHM 1/4W +/-5%	1	R518
18-CD0471-JNX	RES. C. F. 470 OHM 1/4W +/-5%	1	R516
18-CD0471-JNX	RES. C. F. 470 OHM 1/4W +/-5%	1	R538
18-FE0102-JNX	RES. M. O. 1K OHM 1/2W +/-5%	1	R539
18-FE0102-JNX	RES. M. O. 1K OHM 1/2W +/-5%	1	R529
18-FE0102-JNX	RES. M. O. 1K OHM 1/2W +/-5%	1	R519
41-WJ0050-B00	WIRE BARE JUMPER 5MM	1	J504
41-WJ0125-B00	WIRE BARE JUMPER 12.5MM	1	J503
10-1N4148-ABX	DIODE 1N4148 (SWITCHING)	1	D007
10-1N4148-ABX	DIODE 1N4148 (SWITCHING)	1	D100
10-1N4148-ABX	DIODE 1N4148 (SWITCHING)	1	D006
10-1N4148-ABX	DIODE 1N4148 (SWITCHING)	1	D005
10-1N4148-ABX	DIODE 1N4148 (SWITCHING)	1	D008
10-79C2V4-DBX	DIODE ZENER 2V4 1/2W 5%	1	D004
10-79C33V-DBX	DIODE ZENER 33V 1/2W 5%	1	D102
10-79C3V9-DBX	DIODE ZENER 3V9 1/2W 5%	1	D003
10-79C5V1-DBX	DIODE ZENER 5V1 1/2W 5%	1	D080
10-79C5V6-DBX	DIODE ZENER 5V6 1/2W 5%	1	D907
10-79C5V6-DBX	DIODE ZENER 5V6 1/2W 5%	1	D906
10-79C5V6-DBX	DIODE ZENER 5V6 1/2W 5%	1	D902
10-79C5V6-DBX	DIODE ZENER 5V6 1/2W 5%	1	D901
10-79C5V6-DBX	DIODE ZENER 5V6 1/2W 5%	1	D905
10-79C5V6-DBX	DIODE ZENER 5V6 1/2W 5%	1	D904
10-79C5V6-DBX	DIODE ZENER 5V6 1/2W 5%	1	D903
10-79C5V6-DBX	DIODE ZENER 5V6 1/2W 5%	1	D900
10-79C5V6-DBX	DIODE ZENER 5V6 1/2W 5%	1	D204
11-OBC327-CBX	TRANSISTOR BC327-40	1	Q202
11-OBC327-CBX	TRANSISTOR BC327-40	1	Q201
11-SA1015-YBX	TRANSISTOR 2T2SA1015Y (PNP)	1	Q204
11-SC1815-YBX	TRANSISTOR 2SC1815-Y (NPN)	1	Q002
11-SC3779-DBX	TRANSISTOR 2SC3779D (RF AMPL)	1	Q101
18-CB0101-JNX	RES. C. F. 100 OHM 1/6W +/-5%	1	R025
18-CB0101-JNX	RES. C. F. 100 OHM 1/6W +/-5%	1	R036
18-CB0101-JNX	RES. C. F. 100 OHM 1/6W +/-5%	1	R207
18-CB0101-JNX	RES. C. F. 100 OHM 1/6W +/-5%	1	R208
18-CB0101-JNX	RES. C. F. 100 OHM 1/6W +/-5%	1	R209
18-CB0101-JNX	RES. C. F. 100 OHM 1/6W +/-5%	1	R041
18-CB0101-JNX	RES. C. F. 100 OHM 1/6W +/-5%	1	R043
18-CB0101-JNX	RES. C. F. 100 OHM 1/6W +/-5%	1	R026
18-CB0101-JNX	RES. C. F. 100 OHM 1/6W +/-5%	1	R035
18-CB0102-JNX	RES. C. F. 1K OHM 1/6W +/-5%	1	R215
18-CB0102-JNX	RES. C. F. 1K OHM 1/6W +/-5%	1	R203
18-CB0102-JNX	RES. C. F. 1K OHM 1/6W +/-5%	1	R202
18-CB0102-JNX	RES. C. F. 1K OHM 1/6W +/-5%	1	R022
18-CB0103-JNX	RES. C. F. 10K OHM 1/6W +/-5%	1	R030
18-CB0103-JNX	RES. C. F. 10K OHM 1/6W +/-5%	1	R262
18-CB0181-JNX	RES. C. F. 180 OHM 1/6W +/-5%	1	R014
18-CB0221-JNX	RES. C. F. 220 OHM 1/6W +/-5%	1	R234
18-CB0221-JNX	RES. C. F. 220 OHM 1/6W +/-5%	1	R233
18-CB0221-JNX	RES. C. F. 220 OHM 1/6W +/-5%	1	R236
18-CB0222-JNX	RES. C. F. 2.2K OHM 1/6W +/-5%	1	R033
18-CB0330-JNX	RES. C. F. 33 OHM 1/6W +/-5%	1	L201
18-CB0363-JNX	RES. C. F. 36K OHM 1/6W +/-5%	1	R200
18-CB0393-JNX	RES. C. F. 39K OHM 1/6W +/-5%	1	R206
18-CB0394-JNX	RES. C. F. 390K OHM 1/6W +/-5%	1	J927
18-CB0471-JNX	RES. C. F. 470 OHM 1/6W +/-5%	1	R110
18-CB0472-JNX	CARBON RES. C. F. 4.7K OHM 1/6W +/-5%	1	R211
18-CB0681-JNX	RES. C. F. 680 OHM 1/6W +/-5%	1	R205
18-CB0750-JNX	RES. C. F. 75 OHM 1/6W +/-5%	1	R910
25-BBB101-M1X	CAP. ELEC 100 UF 10V +/-20%	1	C103
25-BBB101-M1X	CAP. ELEC 100 UF 10V +/-20%	1	C223
25-BCB100-M1X	CAP. ELEC 10 UF 16V +/-20%	1	C905
25-BCB100-M1X	CAP. ELEC 10 UF 16V +/-20%	1	C904
25-BCB100-M1X	CAP. ELEC 10 UF 16V +/-20%	1	C250
25-BCB100-M1X	CAP. ELEC 10 UF 16V +/-20%	1	C241
25-BCB100-M1X	CAP. ELEC 10 UF 16V +/-20%	1	C227
25-BCB100-M1X	CAP. ELEC 10 UF 16V +/-20%	1	C019

PART NO.	SEPC	SINGLE QTY	LOCATION
25-BCB100-M1X	CAP. ELEC 10 UF 16V +/-20%	1	C212
25-BCB100-M1X	CAP. ELEC 10 UF 16V +/-20%	1	C225
25-BCB100-M1X	CAP. ELEC 10 UF 16V +/-20%	1	C219
25-BCB100-M1X	CAP. ELEC 10 UF 16V +/-20%	1	C200
25-BCB100-M1X	CAP. ELEC 10 UF 16V +/-20%	1	C208
25-BCB101-M1X	CAP. ELEC 100 UF 16V +/-20%	1	C006
25-BCB101-M1X	CAP. ELEC 100 UF 16V +/-20%	1	C010
25-BCB101-M1X	CAP. ELEC 100 UF 16V +/-20%	1	C013
25-BCB330-M1X	CAP. ELEC 33 UF 16V +/-20%	1	C253
25-BCB470-M1X	CAP. ELEC 47 UF 16V +/-20%	1	C024
25-BCB470-M1X	CAP. ELEC 47 UF 16V +/-20%	1	C240
25-BCB470-M1X	CAP. ELEC 47 UF 16V +/-20%	1	C262
25-BDB470-M1X	CAP. ELEC 47 UF 25V +/-20%	1	C258A
25-BFB100-M1X	CAP. ELEC 10 UF 50V +/-20%	1	C100
25-BFB108-M1X	CAP. ELEC 0.1 UF 50V +/-20%	1	C231
25-BFB109-M1X	CAP. ELEC 1 UF 50V +/-20%	1	C234
25-BFB109-M1X	CAP. ELEC 1 UF 50V +/-20%	1	C911
25-BFB109-M1X	CAP. ELEC 1 UF 50V +/-20%	1	C918
25-BFB229-M1X	CAP. ELEC 2.2 UF 50V +/-20%	1	C237
25-BFB229-M1X	CAP. ELEC 2.2 UF 50V +/-20%	1	C265
25-BFB229-M1X	CAP. ELEC 2.2 UF 50V +/-20%	1	C266
25-BFB229-M1X	CAP. ELEC 2.2 UF 50V +/-20%	1	C025
25-BFB229-M1X	CAP. ELEC 2.2 UF 50V +/-20%	1	C203
25-BFB229-M1X	CAP. ELEC 2.2 UF 50V +/-20%	1	C234A
25-BFB229-M1X	CAP. ELEC 2.2 UF 50V +/-20%	1	C236
25-BFB229-M1X	CAP. ELEC 2.2 UF 50V +/-20%	1	C919
25-BFB229-M1X	CAP. ELEC 2.2 UF 50V +/-20%	1	C917
25-BFB470-M1X	CAP. ELEC 47 UF 50V +/-20%	1	C105
25-GFB229-K1X	CAP. ELEC 2.2 UF 50V +/-10%	1	C215
26-EBP104-ZFS	CAP. CER 0.1UF 50V +80%/-20%	1	C017
27-MBC154-JOX	CAP. M. P. E. 0.15UF 63V +/-5%	1	C206
27-MBC224-JOX	CAP. M. P. E 0.22UF 63V +/-5%	1	C022
27-MBC224-JOX	CAP. M. P. E 0.22UF 63V +/-5%	1	C028
34-A100K0-1IX	COIL CHOKE 10 UH +/-10%	1	L101
34-A100K0-1IX	COIL CHOKE 10 UH +/-10%	1	L200
34-A100K0-1IX	COIL CHOKE 10 UH +/-10%	1	L203
34-A100K0-1IX	COIL CHOKE 10 UH +/-10%	1	L204
34-A100K0-1IX	COIL CHOKE 10 UH +/-10%	1	L210
34-A100K0-1IX	COIL CHOKE 10 UH +/-10%	1	L001
34-A100K0-1IX	COIL CHOKE 10 UH +/-10%	1	L209
34-A100K0-1IX	COIL CHOKE 10 UH +/-10%	1	L208
34-A100K0-1IX	COIL CHOKE 10 UH +/-10%	1	L004
34-A100K0-1IX	COIL CHOKE 10 UH +/-10%	1	L003
34-A100K0-1IX	COIL CHOKE 10 UH +/-10%	1	L002
34-A100K0-1IX	COIL CHOKE 10 UH +/-10%	1	L205
34-A100K0-1IX	COIL CHOKE 10 UH +/-10%	1	L206
34-A100K0-1IX	COIL CHOKE 10 UH +/-10%	1	L207
34-A109K0-1IX	COIL CHOKE 1 UH +/-10%	1	L102
34-A109K0-1IX	COIL CHOKE 1 UH +/-10%	1	L202
34-A109K0-1IX	COIL CHOKE 1 UH +/-10%	1	L211
40-00UOC3-MAF1X	P. C. B MAIN BD	1	
41-WJ0050-B00	WIRE BARE JUMPER 5MM	1	J260
41-WJ0055-B00	WIRE BARE JUMPER 5.5 MM	1	J903
41-WJ0055-B00	WIRE BARE JUMPER 5.5 MM	1	J902
41-WJ0060-B00	WIRE BARE JUMPER 6MM	1	J209
41-WJ0060-B00	WIRE BARE JUMPER 6MM	1	J215
41-WJ0060-B00	WIRE BARE JUMPER 6MM	1	J227
41-WJ0060-B00	WIRE BARE JUMPER 6MM	1	J920
41-WJ0065-B00	WIRE BARE JUMPER 6.5MM	1	J221
41-WJ0065-B00	WIRE BARE JUMPER 6.5MM	1	J111
41-WJ0065-B00	WIRE BARE JUMPER 6.5MM	1	J256
41-WJ0065-B00	WIRE BARE JUMPER 6.5MM	1	J255
41-WJ0065-B00	WIRE BARE JUMPER 6.5MM	1	J107
41-WJ0065-B00	WIRE BARE JUMPER 6.5MM	1	J109
41-WJ0075-B00	WIRE BARE JUMPER 7.5MM	1	J210
41-WJ0075-B00	WIRE BARE JUMPER 7.5MM	1	J082
41-WJ0075-B00	WIRE BARE JUMPER 7.5MM	1	J926
41-WJ0075-B00	WIRE BARE JUMPER 7.5MM	1	J232
41-WJ0075-B00	WIRE BARE JUMPER 7.5MM	1	J223

PART NO.	SEPC	SINGLE QTY	LOCATION
41-WJ0080-B00	WIRE BARE JUMPER 8 MM	1	J219
41-WJ0080-B00	WIRE BARE JUMPER 8 MM	1	J929
41-WJ0085-B00	WIRE BARE JUMPER 8.5MM	1	J104
41-WJ0085-B00	WIRE BARE JUMPER 8.5MM	1	J112
41-WJ0085-B00	WIRE BARE JUMPER 8.5MM	1	J113
41-WJ0085-B00	WIRE BARE JUMPER 8.5MM	1	J216
41-WJ0085-B00	WIRE BARE JUMPER 8.5MM	1	J217
41-WJ0085-B00	WIRE BARE JUMPER 8.5MM	1	J222
41-WJ0085-B00	WIRE BARE JUMPER 8.5MM	1	J229
41-WJ0085-B00	WIRE BARE JUMPER 8.5MM	1	J236
41-WJ0085-B00	WIRE BARE JUMPER 8.5MM	1	J248
41-WJ0090-B00	WIRE BARE JUMPER 9MM	1	J904
41-WJ0095-B00	WIRE BARE JUMPER 9.5MM	1	J224
41-WJ0100-B00	WIRE BARE JUMPER 10MM	1	J913
41-WJ0100-B00	WIRE BARE JUMPER 10MM	1	J914
41-WJ0100-B00	WIRE BARE JUMPER 10MM	1	J921
41-WJ0100-B00	WIRE BARE JUMPER 10MM	1	J928
41-WJ0100-B00	WIRE BARE JUMPER 10MM	1	J201
41-WJ0100-B00	WIRE BARE JUMPER 10MM	1	J220
41-WJ0100-B00	WIRE BARE JUMPER 10MM	1	J218
41-WJ0100-B00	WIRE BARE JUMPER 10MM	1	J202
41-WJ0100-B00	WIRE BARE JUMPER 10MM	1	J083
41-WJ0100-B00	WIRE BARE JUMPER 10MM	1	J206
41-WJ0100-B00	WIRE BARE JUMPER 10MM	1	J204
41-WJ0110-B00	WIRE BARE JUMPER 11MM	1	J228
41-WJ0110-B00	WIRE BARE JUMPER 11MM	1	J225
41-WJ0110-B00	WIRE BARE JUMPER 11MM	1	J108
41-WJ0115-B00	WIRE BARE JUMPER 11.5MM	1	J916
41-WJ0115-B00	WIRE BARE JUMPER 11.5MM	1	J203
41-WJ0115-B00	WIRE BARE JUMPER 11.5MM	1	J917
41-WJ0115-B00	WIRE BARE JUMPER 11.5MM	1	J208
41-WJ0115-B00	WIRE BARE JUMPER 11.5MM	1	J207
41-WJ0125-B00	WIRE BARE JUMPER 12.5MM	1	J924
41-WJ0125-B00	WIRE BARE JUMPER 12.5MM	1	J923
41-WJ0125-B00	WIRE BARE JUMPER 12.5MM	1	J922
41-WJ0125-B00	WIRE BARE JUMPER 12.5MM	1	J254
41-WJ0125-B00	WIRE BARE JUMPER 12.5MM	1	J240
41-WJ0130-B00	WIRE BARE JUMPER 13MM	1	J238
41-WJ0135-B00	WIRE BARE JUMPER 13.5MM	1	J205
41-WJ0145-B00	WIRE BARE JUMPER 14.5MM	1	J237
41-WJ0145-B00	WIRE BARE JUMPER 14.5MM	1	J915
41-WJ0145-B00	WIRE BARE JUMPER 14.5MM	1	J912
41-WJ0150-B00	WIRE BARE JUMPER 15MM	1	J226
41-WJ0150-B00	WIRE BARE JUMPER 15MM	1	J250
41-WJ0150-B00	WIRE BARE JUMPER 15MM	1	R012
41-WJ0155-B00	WIRE BARE JUMPER 15.5MM	1	J906
41-WJ0160-B00	WIRE BARE JUMPER 16MM	1	J247
41-WJ0165-B00	WIRE BARE JUMPER 16.5MM	1	J910
41-WJ0165-B00	WIRE BARE JUMPER 16.5MM	1	J909
41-WJ0165-B00	WIRE BARE JUMPER 16.5MM	1	J908
41-WJ0165-B00	WIRE BARE JUMPER 16.5MM	1	J907
41-WJ0170-B00	WIRE BARE JUMPER 17MM	1	J211
41-WJ0175-B00	WIRE BARE JUMPER 17.5MM	1	J105
41-WJ0185-B00	WIRE BARE JUMPER 18.5MM	1	J911
41-WJ0185-B00	WIRE BARE JUMPER 18.5MM	1	J253
41-WJ0195-B00	WIRE BARE JUMPER 19.5MM	1	J249
V8-TDTP8-36M01	Software conjecture module	1	FOR U5
19-BB0100-JTX	RES. SMD 10 OHM 1/10W +/-5%	1	R524
19-BB0100-JTX	RES. SMD 10 OHM 1/10W +/-5%	1	R534
19-BB0100-JTX	RES. SMD 10 OHM 1/10W +/-5%	1	R514
19-BB0103-JTX	SMD. RES 10K OHM 1/10W +/-5%	1	R522
19-BB0103-JTX	SMD. RES 10K OHM 1/10W +/-5%	1	R512
19-BB0103-JTX	SMD. RES 10K OHM 1/10W +/-5%	1	R532
19-BB0271-JTX	SMD. RES 270 OHM 1/10W +/-5%	1	R533
19-BB0271-JTX	SMD. RES 270 OHM 1/10W +/-5%	1	R523
19-BB0271-JTX	SMD. RES 270 OHM 1/10W +/-5%	1	R513
19-BB0470-JTX	SMD. RES 47 OHM 1/10W +/-5%	1	R511
19-BB0470-JTX	SMD. RES 47 OHM 1/10W +/-5%	1	R531
19-BB0470-JTX	SMD. RES 47 OHM 1/10W +/-5%	1	R521

PART NO.	SEPC	SINGLE QTY	LOCATION
19-BB0561-JTX	SMD. RES 560 OHM 1/10W +/-5%	1	R527
19-BB0561-JTX	SMD. RES 560 OHM 1/10W +/-5%	1	R537
19-BB0561-JTX	SMD. RES 560 OHM 1/10W +/-5%	1	R517
28-BB0271-JCX	SMD. CAP 270 PF 50V +/-5%	1	C521
28-BB0331-JCX	SMD. CAP 330 PF 50V C 0805	1	C511
28-BB0331-JCX	SMD. CAP 330 PF 50V C 0805	1	C531
28-BL0102-KBX	SMD. CAP 1000PF 250V +/-10%	1	C532
28-BL0102-KBX	SMD. CAP 1000PF 250V +/-10%	1	C522
28-BL0102-KBX	SMD. CAP 1000PF 250V +/-10%	1	C512
09-55C5V1-DTX	SMD. DIODE BZV55-C5V1	1	D1
09-FM5817-STX	SMD. DIODE FM5817	1	D5
09-FM5817-STX	SMD. DIODE FM5817	1	D4
09-FM5817-STX	SMD. DIODE FM5817	1	D6
12-BC847A-OBX	SMD TRANSISTOR BC847A (NPN)	1	Q1
12-BSH103-OBX	MOS TRANSISTOR BSH103	1	U15
12-BSH103-OBX	MOS TRANSISTOR BSH103	1	U14
13-OLM393-MOB	IC LM393M	1	U20
13-1117DT-18B	IC LD1117DT18 [DPAK]	1	U28
13-303LSN-29B	IC NCP303LSN29T1G	1	U16
13-4S2816-75B	128M SDRAM K4S281632F-TC75	1	U3
13-A1334A-TSB	IC UDA1334ATS	1	U6
13-LD1117-50B	5.0V IC LD1117S50	1	U30
13-LD1117-50B	5.0V IC LD1117S50	1	U32
13-M24C64-W6B	IC 64K EEPROM M24C64-WMN6	1	U17
13-MAX232-CSB	IC MAX232 CSE	1	U19
13-MAX232-CSB	IC MAX232 CSE	1	U18
13-MC3406-3AB	IC MC34063AD (SO-8)	1	U27
13-MC3406-3AB	IC MC34063AD (SO-8)	1	U29
13-MC3406-3AB	IC MC34063AD (SO-8)	1	U31
13-P10046-HTB	IC TDA10046HT	1	U22
13-P8314H-S0B	SDTV PROCESSOR PNX8314HS/102	1	U38
13-W320EB-70B	32MBIT FLASH M29W320EB-70N	1	U5 (此IC需预抄写好数据后再贴片)
19-AB0000-JTX	RES SMD 0 OHM 1/10W +/-5% 0603	1	R30
19-AB0000-JTX	RES SMD 0 OHM 1/10W +/-5% 0603	1	R27
19-AB0000-JTX	RES SMD 0 OHM 1/10W +/-5% 0603	1	R253
19-AB0000-JTX	RES SMD 0 OHM 1/10W +/-5% 0603	1	R250
19-AB0000-JTX	RES SMD 0 OHM 1/10W +/-5% 0603	1	R234
19-AB0000-JTX	RES SMD 0 OHM 1/10W +/-5% 0603	1	R209
19-AB0000-JTX	RES SMD 0 OHM 1/10W +/-5% 0603	0.038	R13
19-AB0000-JTX	RES SMD 0 OHM 1/10W +/-5% 0603	1	R142
19-AB0000-JTX	RES SMD 0 OHM 1/10W +/-5% 0603	1	R46
19-AB0000-JTX	RES SMD 0 OHM 1/10W +/-5% 0603	1	R21
19-AB0000-JTX	RES SMD 0 OHM 1/10W +/-5% 0603	1	R16
19-AB0101-JTX	RES SMD 100 OHM 1/10W 0603	1	R140
19-AB0101-JTX	RES SMD 100 OHM 1/10W 0603	1	R135
19-AB0101-JTX	RES SMD 100 OHM 1/10W 0603	1	R128
19-AB0101-JTX	RES SMD 100 OHM 1/10W 0603	1	R48
19-AB0101-JTX	RES SMD 100 OHM 1/10W 0603	1	R39
19-AB0101-JTX	RES SMD 100 OHM 1/10W 0603	1	R239
19-AB0101-JTX	RES SMD 100 OHM 1/10W 0603	1	R186
19-AB0101-JTX	RES SMD 100 OHM 1/10W 0603	1	R185
19-AB0101-JTX	RES SMD 100 OHM 1/10W 0603	1	R183
19-AB0101-JTX	RES SMD 100 OHM 1/10W 0603	1	R181
19-AB0101-JTX	RES SMD 100 OHM 1/10W 0603	1	R180
19-AB0101-JTX	RES SMD 100 OHM 1/10W 0603	1	R179
19-AB0101-JTX	RES SMD 100 OHM 1/10W 0603	1	R127
19-AB0102-JTX	RES SMD 1K OHM 1/10W 0603	1	R141
19-AB0102-JTX	RES SMD 1K OHM 1/10W 0603	1	R167
19-AB0102-JTX	RES SMD 1K OHM 1/10W 0603	1	R34
19-AB0102-JTX	RES SMD 1K OHM 1/10W 0603	1	R37
19-AB0102-JTX	RES SMD 1K OHM 1/10W 0603	1	R41
19-AB0103-JTX	RES SMD 10K OHM 1/10W 0603	1	R25
19-AB0103-JTX	RES SMD 10K OHM 1/10W 0603	1	R7
19-AB0103-JTX	RES SMD 10K OHM 1/10W 0603	1	R22
19-AB0103-JTX	RES SMD 10K OHM 1/10W 0603	1	R224
19-AB0103-JTX	RES SMD 10K OHM 1/10W 0603	1	R24
19-AB0103-JTX	RES SMD 10K OHM 1/10W 0603	1	R225
19-AB0103-JTX	RES SMD 10K OHM 1/10W 0603	1	R23
19-AB0103-JTX	RES SMD 10K OHM 1/10W 0603	1	R232

PART NO.	SEPC	SINGLE QTY	LOCATION
19-AB0103-JTX	RES SMD 10K OHM 1/10W 0603	1	R156
19-AB0103-JTX	RES SMD 10K OHM 1/10W 0603	1	R177
19-AB0103-JTX	RES SMD 10K OHM 1/10W 0603	1	R260
19-AB0103-JTX	RES SMD 10K OHM 1/10W 0603	1	R33
19-AB0103-JTX	RES SMD 10K OHM 1/10W 0603	1	R26
19-AB0103-JTX	RES SMD 10K OHM 1/10W 0603	1	R131
19-AB0103-JTX	RES SMD 10K OHM 1/10W 0603	1	R130
19-AB0103-JTX	RES SMD 10K OHM 1/10W 0603	1	R129
19-AB0103-JTX	RES SMD 10K OHM 1/10W 0603	1	R126
19-AB0103-JTX	RES SMD 10K OHM 1/10W 0603	1	R132
19-AB0103-JTX	RES SMD 10K OHM 1/10W 0603	1	R133
19-AB0103-JTX	RES SMD 10K OHM 1/10W 0603	1	R134
19-AB0103-JTX	RES SMD 10K OHM 1/10W 0603	1	R136
19-AB0103-JTX	RES SMD 10K OHM 1/10W 0603	1	R138
19-AB0103-JTX	RES SMD 10K OHM 1/10W 0603	1	R139
19-AB0103-JTX	RES SMD 10K OHM 1/10W 0603	1	R147
19-AB0103-JTX	RES SMD 10K OHM 1/10W 0603	1	R153
19-AB0104-JTX	SMD. RES 100K OHM 1/10W 0603	1	R210
19-AB0104-JTX	SMD. RES 100K OHM 1/10W 0603	1	R169
19-AB0104-JTX	SMD. RES 100K OHM 1/10W 0603	1	R168
19-AB0104-JTX	SMD. RES 100K OHM 1/10W 0603	1	R161
19-AB0104-JTX	SMD. RES 100K OHM 1/10W 0603	1	R160
19-AB0104-JTX	SMD. RES 100K OHM 1/10W 0603	1	R155
19-AB0122-JTX	SMD. RES 1.2K OHM 1/10 J 0603	1	R1
19-AB0181-JTX	SMD. RES 180 OHM 1/10W 0603	1	R42
19-AB0220-JTX	SMD RES 22 OHM 1/10W 0603	1	R35
19-AB0220-JTX	SMD RES 22 OHM 1/10W 0603	1	R36
19-AB0220-JTX	SMD RES 22 OHM 1/10W 0603	1	R38
19-AB0221-JTX	RES SMD 220 OHM 1/10W 0603	1	R240
19-AB0221-JTX	RES SMD 220 OHM 1/10W 0603	1	R254
19-AB0221-JTX	RES SMD 220 OHM 1/10W 0603	1	R244
19-AB0229-JTX	SMD. RES 2.2 OHM 1/10W J 0603	1	R44
19-AB0229-JTX	SMD. RES 2.2 OHM 1/10W J 0603	1	R45
19-AB0272-JTX	RES SMD 2.7K OHM 1/10W 0603	1	R184
19-AB0272-JTX	RES SMD 2.7K OHM 1/10W 0603	1	R182
19-AB0330-JTX	RES SMD 33 OHM 1/10W +/-5%0603	1	R14
19-AB0330-JTX	RES SMD 33 OHM 1/10W +/-5%0603	1	R12
19-AB0330-JTX	RES SMD 33 OHM 1/10W +/-5%0603	1	R11
19-AB0330-JTX	RES SMD 33 OHM 1/10W +/-5%0603	1	R162
19-AB0330-JTX	RES SMD 33 OHM 1/10W +/-5%0603	1	R10
19-AB0330-JTX	RES SMD 33 OHM 1/10W +/-5%0603	1	R143
19-AB0330-JTX	RES SMD 33 OHM 1/10W +/-5%0603	1	R144
19-AB0330-JTX	RES SMD 33 OHM 1/10W +/-5%0603	1	R145
19-AB0330-JTX	RES SMD 33 OHM 1/10W +/-5%0603	1	R146
19-AB0330-JTX	RES SMD 33 OHM 1/10W +/-5%0603	1	R149
19-AB0330-JTX	RES SMD 33 OHM 1/10W +/-5%0603	1	R15
19-AB0330-JTX	RES SMD 33 OHM 1/10W +/-5%0603	1	R17
19-AB0330-JTX	RES SMD 33 OHM 1/10W +/-5%0603	1	R174
19-AB0330-JTX	RES SMD 33 OHM 1/10W +/-5%0603	1	R8
19-AB0330-JTX	RES SMD 33 OHM 1/10W +/-5%0603	1	R150
19-AB0330-JTX	RES SMD 33 OHM 1/10W +/-5%0603	1	R151
19-AB0332-JTX	SMD RES 3.3K OHM 1/10W 0603	1	R148
19-AB0471-JTX	SMD. RES 470 OHM 1/10W +/-5%	1	R29
19-AB0471-JTX	SMD. RES 470 OHM 1/10W +/-5%	1	R152
19-AB0472-JTX	RES SMD 4.7K OHM 1/10W 0603	1	R164
19-AB0472-JTX	RES SMD 4.7K OHM 1/10W 0603	1	R158
19-AB0472-JTX	RES SMD 4.7K OHM 1/10W 0603	1	R166
19-AB0472-JTX	RES SMD 4.7K OHM 1/10W 0603	1	R154
19-AB0680-JTX	SMD. RES 68 OHM 1/10W +/-5% 0603	1	R40
19-AB0684-JTX	SMD. RES 680K 1/10W +/-5% 0603	1	R159
19-AB0750-JTX	SMD. RES 75 OHM 1/10W 0603	1	R238
19-AB0750-JTX	SMD. RES 75 OHM 1/10W 0603	1	R83
19-AB0750-JTX	SMD. RES 75 OHM 1/10W 0603	1	R77
19-AB0750-JTX	SMD. RES 75 OHM 1/10W 0603	1	R67
19-AB0750-JTX	SMD. RES 75 OHM 1/10W 0603	1	R90
19-BB0101-FTX	SMD. RES 100 OHM 1/10W +/-1%	1	R217
19-BB0101-FTX	SMD. RES 100 OHM 1/10W +/-1%	1	R204
19-BB0102-FTX	RES. SMD 1K 1/10W +/-1% 0805	1	R203
19-BB0109-JTX	SMD. RES 1 OHM 1/10W +/-5% 0805	1	R212

PART NO.	SEPC	SINGLE QTY	LOCATION
19-BB0109-JTX	SMD. RES 1 OHM 1/10W +/-5% 0805	1	R211
19-BB0109-JTX	SMD. RES 1 OHM 1/10W +/-5% 0805	1	R208
19-BB0109-JTX	SMD. RES 1 OHM 1/10W +/-5% 0805	1	R207
19-BB0109-JTX	SMD. RES 1 OHM 1/10W +/-5% 0805	1	R206
19-BB0109-JTX	SMD. RES 1 OHM 1/10W +/-5% 0805	1	R205
19-BB0109-JTX	SMD. RES 1 OHM 1/10W +/-5% 0805	1	R196
19-BB0109-JTX	SMD. RES 1 OHM 1/10W +/-5% 0805	1	R213
19-BB0109-JTX	SMD. RES 1 OHM 1/10W +/-5% 0805	1	R214
19-BB0109-JTX	SMD. RES 1 OHM 1/10W +/-5% 0805	1	R195
19-BB0109-JTX	SMD. RES 1 OHM 1/10W +/-5% 0805	1	R194
19-BB0109-JTX	SMD. RES 1 OHM 1/10W +/-5% 0805	1	R193
19-BB0182-FTX	SMD. RES 1.8K OHM 1/10W +/-1% 0805	1	R202
19-BB0472-JTX	SMD. RES 4.7K OHM 1/10W +/-5%	1	R215
19-BB0821-FTX	SMD. RES 820 OHM 1/10W +/-1%	1	R216
23-A08330-FBX	NETWORK RES. SMD 33 OHM +/-1%	1	RN259
23-A08330-FBX	NETWORK RES. SMD 33 OHM +/-1%	1	RN100
23-A08330-FBX	NETWORK RES. SMD 33 OHM +/-1%	1	RN258
23-A08330-FBX	NETWORK RES. SMD 33 OHM +/-1%	1	RN99
28-AB0100-JCX	SMD. CAP 10 PF 50VDC +/-5%	1	C170
28-AB0100-JCX	SMD. CAP 10 PF 50VDC +/-5%	1	C127
28-AB0103-ZFX	CAP. SMD 10NF 50V +80-20% 0603	1	C179
28-AB0103-ZFX	CAP. SMD 10NF 50V +80-20% 0603	1	C48
28-AB0104-ZFX	CAP. SMD 0.1UF 50V +80~-20% F	1	C121
28-AB0104-ZFX	CAP. SMD 0.1UF 50V +80~-20% F	1	C7
28-AB0104-ZFX	CAP. SMD 0.1UF 50V +80~-20% F	1	C94
28-AB0104-ZFX	CAP. SMD 0.1UF 50V +80~-20% F	1	C97
28-AB0104-ZFX	CAP. SMD 0.1UF 50V +80~-20% F	1	C98
28-AB0104-ZFX	CAP. SMD 0.1UF 50V +80~-20% F	1	C99
28-AB0104-ZFX	CAP. SMD 0.1UF 50V +80~-20% F	1	C6
28-AB0104-ZFX	CAP. SMD 0.1UF 50V +80~-20% F	1	C15
28-AB0104-ZFX	CAP. SMD 0.1UF 50V +80~-20% F	1	C100
28-AB0104-ZFX	CAP. SMD 0.1UF 50V +80~-20% F	1	C10
28-AB0104-ZFX	CAP. SMD 0.1UF 50V +80~-20% F	1	C120
28-AB0104-ZFX	CAP. SMD 0.1UF 50V +80~-20% F	1	C12
28-AB0104-ZFX	CAP. SMD 0.1UF 50V +80~-20% F	1	C119
28-AB0104-ZFX	CAP. SMD 0.1UF 50V +80~-20% F	1	C118
28-AB0104-ZFX	CAP. SMD 0.1UF 50V +80~-20% F	1	C117
28-AB0104-ZFX	CAP. SMD 0.1UF 50V +80~-20% F	1	C116
28-AB0104-ZFX	CAP. SMD 0.1UF 50V +80~-20% F	1	C115
28-AB0104-ZFX	CAP. SMD 0.1UF 50V +80~-20% F	1	C132
28-AB0104-ZFX	CAP. SMD 0.1UF 50V +80~-20% F	1	C134
28-AB0104-ZFX	CAP. SMD 0.1UF 50V +80~-20% F	1	C137
28-AB0104-ZFX	CAP. SMD 0.1UF 50V +80~-20% F	1	C14
28-AB0104-ZFX	CAP. SMD 0.1UF 50V +80~-20% F	1	C44
28-AB0104-ZFX	CAP. SMD 0.1UF 50V +80~-20% F	1	C45
28-AB0104-ZFX	CAP. SMD 0.1UF 50V +80~-20% F	1	C47
28-AB0104-ZFX	CAP. SMD 0.1UF 50V +80~-20% F	1	C49
28-AB0104-ZFX	CAP. SMD 0.1UF 50V +80~-20% F	1	C5
28-AB0104-ZFX	CAP. SMD 0.1UF 50V +80~-20% F	1	C20
28-AB0104-ZFX	CAP. SMD 0.1UF 50V +80~-20% F	1	C32
28-AB0104-ZFX	CAP. SMD 0.1UF 50V +80~-20% F	1	C36
28-AB0104-ZFX	CAP. SMD 0.1UF 50V +80~-20% F	1	C38
28-AB0104-ZFX	CAP. SMD 0.1UF 50V +80~-20% F	1	C39
28-AB0104-ZFX	CAP. SMD 0.1UF 50V +80~-20% F	1	C4
28-AB0104-ZFX	CAP. SMD 0.1UF 50V +80~-20% F	1	C40
28-AB0104-ZFX	CAP. SMD 0.1UF 50V +80~-20% F	1	C17
28-AB0104-ZFX	CAP. SMD 0.1UF 50V +80~-20% F	1	C42
28-AB0104-ZFX	CAP. SMD 0.1UF 50V +80~-20% F	1	C41
28-AB0104-ZFX	CAP. SMD 0.1UF 50V +80~-20% F	1	C164
28-AB0104-ZFX	CAP. SMD 0.1UF 50V +80~-20% F	1	C122
28-AB0104-ZFX	CAP. SMD 0.1UF 50V +80~-20% F	1	C31
28-AB0104-ZFX	CAP. SMD 0.1UF 50V +80~-20% F	1	C30
28-AB0104-ZFX	CAP. SMD 0.1UF 50V +80~-20% F	1	C3
28-AB0104-ZFX	CAP. SMD 0.1UF 50V +80~-20% F	1	C29
28-AB0104-ZFX	CAP. SMD 0.1UF 50V +80~-20% F	1	C28
28-AB0104-ZFX	CAP. SMD 0.1UF 50V +80~-20% F	1	C27
28-AB0104-ZFX	CAP. SMD 0.1UF 50V +80~-20% F	1	C23
28-AB0104-ZFX	CAP. SMD 0.1UF 50V +80~-20% F	1	C22
28-AB0104-ZFX	CAP. SMD 0.1UF 50V +80~-20% F	1	C21

PART NO.	SEPC	SINGLE QTY	LOCATION
28-AB0104-ZFX	CAP. SMD 0.1UF 50V +80%~-20% F	1	C35
28-AB0104-ZFX	CAP. SMD 0.1UF 50V +80%~-20% F	1	C13
28-AB0104-ZFX	CAP. SMD 0.1UF 50V +80%~-20% F	1	C111
28-AB0104-ZFX	CAP. SMD 0.1UF 50V +80%~-20% F	1	C110
28-AB0104-ZFX	CAP. SMD 0.1UF 50V +80%~-20% F	1	C11
28-AB0104-ZFX	CAP. SMD 0.1UF 50V +80%~-20% F	1	C109
28-AB0104-ZFX	CAP. SMD 0.1UF 50V +80%~-20% F	1	C107
28-AB0104-ZFX	CAP. SMD 0.1UF 50V +80%~-20% F	1	C106
28-AB0104-ZFX	CAP. SMD 0.1UF 50V +80%~-20% F	1	C105
28-AB0104-ZFX	CAP. SMD 0.1UF 50V +80%~-20% F	1	C104
28-AB0104-ZFX	CAP. SMD 0.1UF 50V +80%~-20% F	1	C103
28-AB0104-ZFX	CAP. SMD 0.1UF 50V +80%~-20% F	1	C102
28-AB0104-ZFX	CAP. SMD 0.1UF 50V +80%~-20% F	1	C101
28-AB0104-ZFX	CAP. SMD 0.1UF 50V +80%~-20% F	1	C114
28-AB0104-ZFX	CAP. SMD 0.1UF 50V +80%~-20% F	1	C113
28-AB0104-ZFX	CAP. SMD 0.1UF 50V +80%~-20% F	1	C112
28-AB0104-ZFX	CAP. SMD 0.1UF 50V +80%~-20% F	1	C129
28-AB0104-ZFX	CAP. SMD 0.1UF 50V +80%~-20% F	1	C128
28-AB0104-ZFX	CAP. SMD 0.1UF 50V +80%~-20% F	1	C126
28-AB0104-ZFX	CAP. SMD 0.1UF 50V +80%~-20% F	1	C125
28-AB0104-ZFX	CAP. SMD 0.1UF 50V +80%~-20% F	1	C123
28-AB0104-ZFX	CAP. SMD 0.1UF 50V +80%~-20% F	1	C172
28-AB0104-ZFX	CAP. SMD 0.1UF 50V +80%~-20% F	1	C18
28-AB0104-ZFX	CAP. SMD 0.1UF 50V +80%~-20% F	1	C19
28-AB0104-ZFX	CAP. SMD 0.1UF 50V +80%~-20% F	1	C195
28-AB0104-ZFX	CAP. SMD 0.1UF 50V +80%~-20% F	1	C196
28-AB0104-ZFX	CAP. SMD 0.1UF 50V +80%~-20% F	1	C52
28-AB0104-ZFX	CAP. SMD 0.1UF 50V +80%~-20% F	1	C158
28-AB0104-ZFX	CAP. SMD 0.1UF 50V +80%~-20% F	1	C16
28-AB0201-JCX	CAP. SMD 200PF 50V +/-5% 0603	1	C153
28-AB0220-JCX	CAP. SMD 22PF 50V +/-5% C	1	C65
28-AB0220-JCX	CAP. SMD 22PF 50V +/-5% C	1	C60
28-AB0220-JCX	CAP. SMD 22PF 50V +/-5% C	1	C67
28-AB0220-JCX	CAP. SMD 22PF 50V +/-5% C	1	C71
28-AB0220-JCX	CAP. SMD 22PF 50V +/-5% C	1	C72
28-AB0220-JCX	CAP. SMD 22PF 50V +/-5% C	1	C75
28-AB0220-JCX	CAP. SMD 22PF 50V +/-5% C	1	C76
28-AB0220-JCX	CAP. SMD 22PF 50V +/-5% C	1	C79
28-AB0220-JCX	CAP. SMD 22PF 50V +/-5% C	1	C168
28-AB0220-JCX	CAP. SMD 22PF 50V +/-5% C	1	C169
28-AB0220-JCX	CAP. SMD 22PF 50V +/-5% C	1	C174
28-AB0220-JCX	CAP. SMD 22PF 50V +/-5% C	1	C177
28-AB0220-JCX	CAP. SMD 22PF 50V +/-5% C	1	C181
28-AB0220-JCX	CAP. SMD 22PF 50V +/-5% C	1	C182
28-AB0220-JCX	CAP. SMD 22PF 50V +/-5% C	1	C183
28-AB0220-JCX	CAP. SMD 22PF 50V +/-5% C	1	C184
28-AB0220-JCX	CAP. SMD 22PF 50V +/-5% C	1	C190
28-AB0330-JCX	SMD CAP 33PF 50V +/-5%	2	C24, C25
28-AB0333-ZFX	CAP. SMD 0.033UF 50V 80-20 0603	1	C95
28-AB0390-JCX	SMD. CAP 39 PF 50V +/-5% 0603	2	C130, C131
28-AB0391-JCX	CAP. SMD 390P 50V +/-5% 0603	1	C64
28-AB0391-JCX	CAP. SMD 390P 50V +/-5% 0603	1	C63
28-AB0391-JCX	CAP. SMD 390P 50V +/-5% 0603	1	C176
28-AB0391-JCX	CAP. SMD 390P 50V +/-5% 0603	1	C175
28-AB0391-JCX	CAP. SMD 390P 50V +/-5% 0603	1	C69
28-AB0391-JCX	CAP. SMD 390P 50V +/-5% 0603	1	C70
28-AB0391-JCX	CAP. SMD 390P 50V +/-5% 0603	1	C73
28-AB0391-JCX	CAP. SMD 390P 50V +/-5% 0603	1	C74
28-AB0391-JCX	CAP. SMD 390P 50V +/-5% 0603	1	C77
28-AB0391-JCX	CAP. SMD 390P 50V +/-5% 0603	1	C78
28-AB0471-JCX	CAP. SMD 470PF 50V +/-5% 0603	1	C143
28-AB0471-JCX	CAP. SMD 470PF 50V +/-5% 0603	1	C162
28-AB0472-KBX	CAP. SMD 4700PF 50V +/-10% 0603	1	C166
28-AB0472-KBX	CAP. SMD 4700PF 50V +/-10% 0603	1	C165
28-AB0472-KBX	CAP. SMD 4700PF 50V +/-10% 0603	1	C154
28-AB0472-KBX	CAP. SMD 4700PF 50V +/-10% 0603	1	C144
28-AB0472-KBX	CAP. SMD 4700PF 50V +/-10% 0603	1	C145
28-AD0474-ZFX	SMD. CAP 0.47 UF 25V +80/-20%	1	C141
28-AD0474-ZFX	SMD. CAP 0.47 UF 25V +80/-20%	1	C151

PART NO.	SEPC	SINGLE QTY	LOCATION
28-AD0474-ZFX	SMD. CAP 0.47 UF 25V +80/-20%	1	C160
28-CC0476-MTX	TANTALUM CAP. 47 UF 16V +/-20% 6032	1	C53
28-DC0107-MTX	TANTALUM CAP. 100 UF 16VDC +/-20%	1	C148
28-DC0107-MTX	TANTALUM CAP. 100 UF 16VDC +/-20%	1	C150
28-DC0107-MTX	TANTALUM CAP. 100 UF 16VDC +/-20%	1	C159
28-DC0107-MTX	TANTALUM CAP. 100 UF 16VDC +/-20%	1	C163
28-RD0337-MAF1	ALUMINIUM CAP. 330 UF 25V +/-20%	1	C146
28-RD0337-MAF1	ALUMINIUM CAP. 330 UF 25V +/-20%	1	C142
28-RD0337-MAF1	ALUMINIUM CAP. 330 UF 25V +/-20%	1	C147
28-RD0337-MAF1	ALUMINIUM CAP. 330 UF 25V +/-20%	1	C152
28-RD0337-MAF1	ALUMINIUM CAP. 330 UF 25V +/-20%	1	C193
28-RD0337-MAF1	ALUMINIUM CAP. 330 UF 25V +/-20%	1	C192
28-RD0337-MAF1	ALUMINIUM CAP. 330 UF 25V +/-20%	1	C161
28-RD0477-MAF	ALUMINIUM CAP. 470 UF 25V +/-20%	1	C156
28-RD0477-MAF	ALUMINIUM CAP. 470 UF 25V +/-20%	1	C167
28-RD0477-MAF	ALUMINIUM CAP. 470 UF 25V +/-20%	1	C155
28-XC0106-MTX	TANTALUM CAP. 10 UF 16V +/-20%	1	C9
28-XC0106-MTX	TANTALUM CAP. 10 UF 16V +/-20%	1	C33
28-XC0106-MTX	TANTALUM CAP. 10 UF 16V +/-20%	1	C34
28-XC0106-MTX	TANTALUM CAP. 10 UF 16V +/-20%	1	C37
28-XC0106-MTX	TANTALUM CAP. 10 UF 16V +/-20%	1	C43
28-XC0106-MTX	TANTALUM CAP. 10 UF 16V +/-20%	1	C8
28-XC0106-MTX	TANTALUM CAP. 10 UF 16V +/-20%	1	C108
28-XC0106-MTX	TANTALUM CAP. 10 UF 16V +/-20%	1	C124
28-XC0106-MTX	TANTALUM CAP. 10 UF 16V +/-20%	1	C133
28-XC0106-MTX	TANTALUM CAP. 10 UF 16V +/-20%	1	C1
28-XC0106-MTX	TANTALUM CAP. 10 UF 16V +/-20%	1	C96
28-XC0106-MTX	TANTALUM CAP. 10 UF 16V +/-20%	1	C135
28-XC0106-MTX	TANTALUM CAP. 10 UF 16V +/-20%	1	C138
28-XC0106-MTX	TANTALUM CAP. 10 UF 16V +/-20%	1	C173
28-XC0106-MTX	TANTALUM CAP. 10 UF 16V +/-20%	1	C197
28-XC0106-MTX	TANTALUM CAP. 10 UF 16V +/-20%	1	C2
28-XC0106-MTX	TANTALUM CAP. 10 UF 16V +/-20%	1	C26
28-XC0225-MTX	TANTALUM CAP. 2.2 UF 16V +/-20%	1	C178
28-XC0225-MTX	TANTALUM CAP. 2.2 UF 16V +/-20%	1	C46
33-BLN102-NTX	SMD. COLL FBMH4525HM102NT	1	L30
33-BLN102-NTX	SMD. COLL FBMH4525HM102NT	1	L37
33-BLN102-NTX	SMD. COLL FBMH4525HM102NT	1	L28
33-ELL229-KTX	SMD. COIL	1	L26
33-ELL229-KTX	SMD. COIL	1	L39
33-ELL229-KTX	SMD. COIL	1	L25
33-ELL229-KTX	SMD. COIL	1	L23
33-ELN221-NTX	CHIP BEAD 220 OHM +/-25%	1	L29
33-ELN221-NTX	CHIP BEAD 220 OHM +/-25%	1	L41
33-ELN221-NTX	CHIP BEAD 220 OHM +/-25%	1	L24
33-ELN221-NTX	CHIP BEAD 220 OHM +/-25%	1	L3
33-ELN221-NTX	CHIP BEAD 220 OHM +/-25%	1	L42
33-ELN221-NTX	CHIP BEAD 220 OHM +/-25%	1	L4
33-ELN221-NTX	CHIP BEAD 220 OHM +/-25%	1	L17
33-ELN221-NTX	CHIP BEAD 220 OHM +/-25%	1	L57
33-ELN221-NTX	CHIP BEAD 220 OHM +/-25%	1	L2
33-ELN221-NTX	CHIP BEAD 220 OHM +/-25%	1	L22
33-ELN221-NTX	CHIP BEAD 220 OHM +/-25%	1	L1
33-ELN221-NTX	CHIP BEAD 220 OHM +/-25%	1	L11
33-ELN221-NTX	CHIP BEAD 220 OHM +/-25%	1	L8
33-ELN221-NTX	CHIP BEAD 220 OHM +/-25%	1	L13
33-ELN221-NTX	CHIP BEAD 220 OHM +/-25%	1	L15
33-ELN221-NTX	CHIP BEAD 220 OHM +/-25%	1	L56
33-ELN221-NTX	CHIP BEAD 220 OHM +/-25%	1	L5
33-ELN221-NTX	CHIP BEAD 220 OHM +/-25%	1	L6
33-ELN221-NTX	CHIP BEAD 220 OHM +/-25%	1	L7
33-ELN221-NTX	CHIP BEAD 220 OHM +/-25%	1	L46
33-KLL229-KTX	SMD. COIL 2.2UH +/-10% 0603	1	L10
33-KLL229-KTX	SMD. COIL 2.2UH +/-10% 0603	1	L12
33-KLL229-KTX	SMD. COIL 2.2UH +/-10% 0603	1	L14
33-KLL229-KTX	SMD. COIL 2.2UH +/-10% 0603	1	L40
33-KLL229-KTX	SMD. COIL 2.2UH +/-10% 0603	1	L16
33-KLN101-NTA	CHIP BEAD 100 OHM +/-25%	1	L47
33-KLN601-NTA	CHIP BEAD 600 OHM +/-25%	1	L53

PART NO.	SEPC	SINGLE QTY	LOCATION
33-KLN601-NTA	CHIP BEAD 600 OHM +/-25%	1	L54
33-KLN601-NTA	CHIP BEAD 600 OHM +/-25%	1	L52
33-KLN601-NTA	CHIP BEAD 600 OHM +/-25%	1	L51
33-KLN601-NTA	CHIP BEAD 600 OHM +/-25%	1	L50
33-KLN601-NTA	CHIP BEAD 600 OHM +/-25%	1	L49
33-XLL101-MTX	SMD. COLL 100UH/+/-20%	1	L38
33-XLL150-MTX	SHIELD SMD. INDUCTOR 15 UH +/-20%	1	L32
33-XLL150-MTX	SHIELD SMD. INDUCTOR 15 UH +/-20%	1	L45
33-XLL221-MTX	SMD. COLL 220UH/+/-20%	1	L31
33-XLL470-MTX	SMD. COLL 47UH/+/-20%	1	L27
40-P8IDTV-DOE4X	P. C. B. DIGIBOARD	1	
12-BC847A-OBX	SMD TRANSISTOR BC847A (NPN)	1	Q203
12-BC847A-OBX	SMD TRANSISTOR BC847A (NPN)	1	Q287
12-BC847A-OBX	SMD TRANSISTOR BC847A (NPN)	1	Q200
12-BC847A-OBX	SMD TRANSISTOR BC847A (NPN)	1	Q900
12-BC857A-OBX	SMD TRANSISTOR BC857A (PNP)	1	Q206
12-BC857A-OBX	SMD TRANSISTOR BC857A (PNP)	1	Q207
12-BC857A-OBX	SMD TRANSISTOR BC857A (PNP)	1	Q205
12-BC857A-OBX	SMD TRANSISTOR BC857A (PNP)	1	Q901
12-BSH103-OBX	MOS TRANSISTOR BSH103	1	Q289
12-BSH103-OBX	MOS TRANSISTOR BSH103	1	Q288
13-P12021-NDB01	IC TDA12021H/N1D01	1	IC200
19-BB0000-JTX	SMD. RES 0 OHM 1/10W +/-5%	1	JP112
19-BB0000-JTX	SMD. RES 0 OHM 1/10W +/-5%	1	JP113
19-BB0000-JTX	SMD. RES 0 OHM 1/10W +/-5%	1	L225
19-BB0000-JTX	SMD. RES 0 OHM 1/10W +/-5%	1	JP110
19-BB0000-JTX	SMD. RES 0 OHM 1/10W +/-5%	1	JP107
19-BB0000-JTX	SMD. RES 0 OHM 1/10W +/-5%	1	J258
19-BB0000-JTX	SMD. RES 0 OHM 1/10W +/-5%	1	J230
19-BB0000-JTX	SMD. RES 0 OHM 1/10W +/-5%	1	J231
19-BB0000-JTX	SMD. RES 0 OHM 1/10W +/-5%	1	R228
19-BB0000-JTX	SMD. RES 0 OHM 1/10W +/-5%	1	R030A
19-BB0000-JTX	SMD. RES 0 OHM 1/10W +/-5%	1	R204
19-BB0000-JTX	SMD. RES 0 OHM 1/10W +/-5%	1	R227
19-BB0000-JTX	SMD. RES 0 OHM 1/10W +/-5%	1	J214A
19-BB0000-JTX	SMD. RES 0 OHM 1/10W +/-5%	1	J213
19-BB0000-JTX	SMD. RES 0 OHM 1/10W +/-5%	1	J212
19-BB0000-JTX	SMD. RES 0 OHM 1/10W +/-5%	1	J214
19-BB0101-JTX	SMD. RES 100 OHM 1/10W +/-5%	1	R010
19-BB0101-JTX	SMD. RES 100 OHM 1/10W +/-5%	1	R009
19-BB0101-JTX	SMD. RES 100 OHM 1/10W +/-5%	1	R926
19-BB0101-JTX	SMD. RES 100 OHM 1/10W +/-5%	1	R231
19-BB0101-JTX	SMD. RES 100 OHM 1/10W +/-5%	1	R232
19-BB0101-JTX	SMD. RES 100 OHM 1/10W +/-5%	1	R911
19-BB0101-JTX	SMD. RES 100 OHM 1/10W +/-5%	1	R919
19-BB0101-JTX	SMD. RES 100 OHM 1/10W +/-5%	1	R920
19-BB0101-JTX	SMD. RES 100 OHM 1/10W +/-5%	1	R024
19-BB0101-JTX	SMD. RES 100 OHM 1/10W +/-5%	1	R031
19-BB0101-JTX	SMD. RES 100 OHM 1/10W +/-5%	1	R011
19-BB0101-JTX	SMD. RES 100 OHM 1/10W +/-5%	1	R927
19-BB0101-JTX	SMD. RES 100 OHM 1/10W +/-5%	1	R928
19-BB0101-JTX	SMD. RES 100 OHM 1/10W +/-5%	1	R929
19-BB0101-JTX	SMD. RES 100 OHM 1/10W +/-5%	1	R932
19-BB0101-JTX	SMD. RES 100 OHM 1/10W +/-5%	1	R034
19-BB0101-JTX	SMD. RES 100 OHM 1/10W +/-5%	1	R230
19-BB0101-JTX	SMD. RES 100 OHM 1/10W +/-5%	1	R222
19-BB0102-JTX	SMD. RES 1K OHM 1/10W +/-5%	1	R963
19-BB0102-JTX	SMD. RES 1K OHM 1/10W +/-5%	1	R962
19-BB0102-JTX	SMD. RES 1K OHM 1/10W +/-5%	1	R908A
19-BB0102-JTX	SMD. RES 1K OHM 1/10W +/-5%	1	R908
19-BB0102-JTX	SMD. RES 1K OHM 1/10W +/-5%	1	R220
19-BB0102-JTX	SMD. RES 1K OHM 1/10W +/-5%	1	R039
19-BB0102-JTX	SMD. RES 1K OHM 1/10W +/-5%	1	R251
19-BB0102-JTX	SMD. RES 1K OHM 1/10W +/-5%	1	R916
19-BB0102-JTX	SMD. RES 1K OHM 1/10W +/-5%	1	R250
19-BB0102-JTX	SMD. RES 1K OHM 1/10W +/-5%	1	R915
19-BB0103-JTX	SMD. RES 10K OHM 1/10W +/-5%	1	R101
19-BB0103-JTX	SMD. RES 10K OHM 1/10W +/-5%	1	R018
19-BB0103-JTX	SMD. RES 10K OHM 1/10W +/-5%	1	R221

PART NO.	SEPC	SINGLE QTY	LOCATION
19-BB0104-JTX	SMD. RES 100K OHM 1/10W +/-5% 0805	1	R903
19-BB0104-JTX	SMD. RES 100K OHM 1/10W +/-5% 0805	1	R902
19-BB0123-JTX	SMD. RES 12K OHM 1/10W +/-5%	1	R210
19-BB0151-JTX	RES. SMD 150 OHM 1/10W +/-5%	1	R117
19-BB0151-JTX	RES. SMD 150 OHM 1/10W +/-5%	1	R115
19-BB0153-JTX	SMD. RES 15K OHM 1/10W +/-5%	1	R040
19-BB0154-JTX	SMD. RES 150K OHM 1/10W +/-5%	1	R281
19-BB0182-JTX	SMD. RES 1.8K OHM 1/10W +/-5%	1	R223
19-BB0183-JTX	SMD. RES 18K OHM 1/10W +/-5%	1	R271
19-BB0184-JTX	SMD. RES 180K OHM 1/10W +/-5%	1	R235
19-BB0203-JTX	SMD. RES 20K OHM 1/10W +/-5%	1	R201
19-BB0220-JTX	SMD. RES 22 OHM 1/10W +/-5%	1	R118
19-BB0221-JTX	SMD. RES 220 OHM 1/10W +/-5% 0805	1	R219
19-BB0222-JTX	SMD. RES 2.2K OHM 1/10W +/-5%	1	R224
19-BB0224-JTX	SMD. RES 220K OHM 1/10W +/-5%	1	R226
19-BB0224-JTX	SMD. RES 220K OHM 1/10W +/-5%	1	R260
19-BB0331-JTX	SMD. RES 330 OHM 1/10W +/-5% 0805	1	R904
19-BB0331-JTX	SMD. RES 330 OHM 1/10W +/-5% 0805	1	R905
19-BB0332-JTX	SMD. RES 3.3K OHM 1/10W +/-5%	1	R261
19-BB0332-JTX	SMD. RES 3.3K OHM 1/10W +/-5%	1	R029
19-BB0332-JTX	SMD. RES 3.3K OHM 1/10W +/-5%	1	R042
19-BB0332-JTX	SMD. RES 3.3K OHM 1/10W +/-5%	1	R028
19-BB0332-JTX	SMD. RES 3.3K OHM 1/10W +/-5%	1	R027
19-BB0333-JTX	SMD. RES 33K OHM 1/10W +/-5%	1	R212
19-BB0333-JTX	SMD. RES 33K OHM 1/10W +/-5%	1	R213B
19-BB0333-JTX	SMD. RES 33K OHM 1/10W +/-5%	1	R270
19-BB0390-JTX	SMD. RES 39 OHM 1/10W +/-5% 0805	1	R218
19-BB0390-JTX	SMD. RES 39 OHM 1/10W +/-5% 0805	1	R109
19-BB0390-JTX	SMD. RES 39 OHM 1/10W +/-5% 0805	1	R104
19-BB0391-JTX	RES. SMD 390 OHM 1/10W +/-5%	1	R214
19-BB0393-JTX	SMD. RES 39K OHM 1/10W +/-5%	1	R103
19-BB0472-JTX	SMD. RES 4.7K OHM 1/10W +/-5%	1	R229
19-BB0472-JTX	SMD. RES 4.7K OHM 1/10W +/-5%	1	R225
19-BB0472-JTX	SMD. RES 4.7K OHM 1/10W +/-5%	1	R211A
19-BB0473-JTX	SMD. RES 47K OHM 1/10W +/-5% 0805	1	R049
19-BB0473-JTX	SMD. RES 47K OHM 1/10W +/-5% 0805	1	R252
19-BB0473-JTX	SMD. RES 47K OHM 1/10W +/-5% 0805	1	R913
19-BB0473-JTX	SMD. RES 47K OHM 1/10W +/-5% 0805	1	R253
19-BB0473-JTX	SMD. RES 47K OHM 1/10W +/-5% 0805	1	R961
19-BB0473-JTX	SMD. RES 47K OHM 1/10W +/-5% 0805	1	R960
19-BB0473-JTX	SMD. RES 47K OHM 1/10W +/-5% 0805	1	R914
19-BB0510-JTX	RES. SMD 51 OHM 1/10W +/-5% 0805	1	R114
19-BB0512-JTX	SMD. RES 5.1K OHM 1/10W +/-5%	1	R045
19-BB0561-JTX	SMD. RES 560 OHM 1/10W +/-5%	1	R080
19-BB0562-JTX	SMD. RES 5.6K OHM 1/10W +/-5%	1	R023
19-BB0562-JTX	SMD. RES 5.6K OHM 1/10W +/-5%	1	R032
19-BB0681-JTX	SMD. RES 680 OHM 1/10W +/-5%	1	R116
19-BB0683-JTX	SMD. RES 68K OHM 1/10W +/-5%	1	R100
19-BB0750-JTX	SMD. RES 75 OHM 1/10W +/-5%	1	R923
19-BB0750-JTX	SMD. RES 75 OHM 1/10W +/-5%	1	R922
19-BB0750-JTX	SMD. RES 75 OHM 1/10W +/-5%	1	R921
19-BB0750-JTX	SMD. RES 75 OHM 1/10W +/-5%	1	R906
19-BB0750-JTX	SMD. RES 75 OHM 1/10W +/-5%	1	R917
19-BB0750-JTX	SMD. RES 75 OHM 1/10W +/-5%	1	R918
19-BB0820-JTX	RES. SMD 82 OHM 1/10W +/-5%	1	R924
19-BB0820-JTX	RES. SMD 82 OHM 1/10W +/-5%	1	R925
28-BB0101-JCX	SMD CAP. 100 PF 50V C 0805	1	C940
28-BB0101-JCX	SMD CAP. 100 PF 50V C 0805	1	C925
28-BB0101-JCX	SMD CAP. 100 PF 50V C 0805	1	C924
28-BB0101-JCX	SMD CAP. 100 PF 50V C 0805	1	C920
28-BB0101-JCX	SMD CAP. 100 PF 50V C 0805	1	C915
28-BB0101-JCX	SMD CAP. 100 PF 50V C 0805	1	C914
28-BB0101-JCX	SMD CAP. 100 PF 50V C 0805	1	C960
28-BB0101-JCX	SMD CAP. 100 PF 50V C 0805	1	C929
28-BB0101-JCX	SMD CAP. 100 PF 50V C 0805	1	C927
28-BB0101-JCX	SMD CAP. 100 PF 50V C 0805	1	C930
28-BB0101-JCX	SMD CAP. 100 PF 50V C 0805	1	C928
28-BB0101-JCX	SMD CAP. 100 PF 50V C 0805	1	C101A
28-BB0101-JCX	SMD CAP. 100 PF 50V C 0805	1	C902

PART NO.	SEPC	SINGLE QTY	LOCATION
28-BB0101-JCX	SMD CAP. 100 PF 50V C 0805	1	C903
28-BB0101-JCX	SMD CAP. 100 PF 50V C 0805	1	C910
28-BB0101-JCX	SMD CAP. 100 PF 50V C 0805	1	C926
28-BB0101-JCX	SMD CAP. 100 PF 50V C 0805	1	C961
28-BB0101-JCX	SMD CAP. 100 PF 50V C 0805	1	C101
28-BB0101-JCX	SMD CAP. 100 PF 50V C 0805	1	C912
28-BB0101-JCX	SMD CAP. 100 PF 50V C 0805	1	C941
28-BB0102-KBX	SMD CAP. 0.001UF 50V B 0805	1	C213
28-BB0102-KBX	SMD CAP. 0.001UF 50V B 0805	1	C209
28-BB0102-KBX	SMD CAP. 0.001UF 50V B 0805	1	C207
28-BB0103-ZFX	SMD CAP. 0.01 UF 50V F 0805	1	C018
28-BB0103-ZFX	SMD CAP. 0.01 UF 50V F 0805	1	C102
28-BB0103-ZFX	SMD CAP. 0.01 UF 50V F 0805	1	C106
28-BB0103-ZFX	SMD CAP. 0.01 UF 50V F 0805	1	C012
28-BB0103-ZFX	SMD CAP. 0.01 UF 50V F 0805	1	C011
28-BB0103-ZFX	SMD CAP. 0.01 UF 50V F 0805	1	C008
28-BB0103-ZFX	SMD CAP. 0.01 UF 50V F 0805	1	C004
28-BB0103-ZFX	SMD CAP. 0.01 UF 50V F 0805	1	C107
28-BB0103-ZFX	SMD CAP. 0.01 UF 50V F 0805	1	C108
28-BB0103-ZFX	SMD CAP. 0.01 UF 50V F 0805	1	C109
28-BB0103-ZFX	SMD CAP. 0.01 UF 50V F 0805	1	C110
28-BB0103-ZFX	SMD CAP. 0.01 UF 50V F 0805	1	C216
28-BB0104-ZFX	SMD CAP. 0.1 UF 50V +80/-20% 0805	1	C247A
28-BB0104-ZFX	SMD CAP. 0.1 UF 50V +80/-20% 0805	1	C248
28-BB0104-ZFX	SMD CAP. 0.1 UF 50V +80/-20% 0805	1	C249
28-BB0104-ZFX	SMD CAP. 0.1 UF 50V +80/-20% 0805	1	C251
28-BB0104-ZFX	SMD CAP. 0.1 UF 50V +80/-20% 0805	1	C258
28-BB0104-ZFX	SMD CAP. 0.1 UF 50V +80/-20% 0805	1	C235
28-BB0104-ZFX	SMD CAP. 0.1 UF 50V +80/-20% 0805	1	C229
28-BB0104-ZFX	SMD CAP. 0.1 UF 50V +80/-20% 0805	1	C226
28-BB0104-ZFX	SMD CAP. 0.1 UF 50V +80/-20% 0805	1	C224
28-BB0104-ZFX	SMD CAP. 0.1 UF 50V +80/-20% 0805	1	C222
28-BB0104-ZFX	SMD CAP. 0.1 UF 50V +80/-20% 0805	1	C242
28-BB0104-ZFX	SMD CAP. 0.1 UF 50V +80/-20% 0805	1	C007
28-BB0104-ZFX	SMD CAP. 0.1 UF 50V +80/-20% 0805	1	C217
28-BB0104-ZFX	SMD CAP. 0.1 UF 50V +80/-20% 0805	1	C218
28-BB0222-KBX	SMD CAP 0.0022UF 50V +/-10%	1	C270
28-BB0222-KBX	SMD CAP 0.0022UF 50V +/-10%	1	C252
28-BB0223-KBX	SMD. CAP 0.022 UF 50V +/-10%	1	C281
28-BB0223-ZFX	SMD CAP. 0.022 UF 50V F 0805	1	C205
28-BB0223-ZFX	SMD CAP. 0.022 UF 50V F 0805	1	C210
28-BB0223-ZFX	SMD CAP. 0.022 UF 50V F 0805	1	C232
28-BB0223-ZFX	SMD CAP. 0.022 UF 50V F 0805	1	C233
28-BB0223-ZFX	SMD CAP. 0.022 UF 50V F 0805	1	C271
28-BB0224-ZFX	SMD. CAP 0.22UF 50V +80%/-20% 0805	1	C211
28-BB0224-ZFX	SMD. CAP 0.22UF 50V +80%/-20% 0805	1	C246
28-BB0224-ZFX	SMD. CAP 0.22UF 50V +80%/-20% 0805	1	C255
28-BB0224-ZFX	SMD. CAP 0.22UF 50V +80%/-20% 0805	1	C201
28-BB0224-ZFX	SMD. CAP 0.22UF 50V +80%/-20% 0805	1	C023
28-BB0224-ZFX	SMD. CAP 0.22UF 50V +80%/-20% 0805	1	C256
28-BB0224-ZFX	SMD. CAP 0.22UF 50V +80%/-20% 0805	1	C260
28-BB0224-ZFX	SMD. CAP 0.22UF 50V +80%/-20% 0805	1	C261
28-BB0330-JCX	SMD. CAP 33 PF 50V C 0805	1	C027
28-BB0330-JCX	SMD. CAP 33 PF 50V C 0805	1	C026
28-BB0472-KBX	SMD CAP. 0.0047UF 50V B 0805	1	C230
28-BB0682-KBX	SMD. CAP 6800 PF 50V +/-10%	1	C214
33-ELN601-NTX	BEAD CHIP HB-1T2012-601 2012	1	L232
33-ELN601-NTX	BEAD CHIP HB-1T2012-601 2012	1	J219A
33-ELN601-NTX	BEAD CHIP HB-1T2012-601 2012	1	L230
33-ELN601-NTX	BEAD CHIP HB-1T2012-601 2012	1	L229
33-ELN601-NTX	BEAD CHIP HB-1T2012-601 2012	1	L228
33-ELN601-NTX	BEAD CHIP HB-1T2012-601 2012	1	L231
33-ELN601-NTX	BEAD CHIP HB-1T2012-601 2012	1	L220
33-ELN601-NTX	BEAD CHIP HB-1T2012-601 2012	1	L221
33-ELN601-NTX	BEAD CHIP HB-1T2012-601 2012	1	L222
33-ELN601-NTX	BEAD CHIP HB-1T2012-601 2012	1	L227
33-ELN601-NTX	BEAD CHIP HB-1T2012-601 2012	1	L226
33-ELN601-NTX	BEAD CHIP HB-1T2012-601 2012	1	L224
33-ELN601-NTX	BEAD CHIP HB-1T2012-601 2012	1	L223

PART NO.	SEPC	SINGLE QTY	LOCATION
07-361FR5-TCO	TUNER TD1316A/SPVP	1	U21
45-OSC4M0-0N10A	CRYSTAL 4.0MHZ	1	Y2
45-OSC4M0-0N10A	CRYSTAL 4.0MHZ	1	Y1
46-33079W-02X	PIN BASE *2 TJC3-2A	1	J8
46-33079W-02X	PIN BASE *2 TJC3-2A	1	J7
46-33079W-03X	PIN BASE *3 TJC3-3A	1	J10
46-33079W-04X	PIN BASE *4 TJC3-4A	1	J3 (PIN3 TO PIN6)
46-33079W-06X	PIN BASE *6 TJC3-6A	1	J6
46-35016W-20X	PIN BASE (*2X10 2.54MM)	1	J2
47-RCA007-XXO	JACK RCA AV-3.2-1W-G3 WHITE	1	JP1
47-VGA008-KXO	VGA SOCKET KL-PC09M-02 (FEMALE)	1	CN1
48-TAC001-XXO	TACT SWITCH	1	SW1
71-268390-0A0AF	LABEL (QC) GREEN	1	
77-028037-05C	BUBBLE BAG (28cmX37cm)	1	
54-114000-00X	FELT TAPE (150MMX19MMX0.3MM)	13	STICK ON REAR CBINET
59-130460-00X	RUBBER PAD (25MMX7MM)	2	STICK ON REAR CAB. (FOOTING)

Alignment Procedure

Chassis name	M68 (DTV)	File No.	
Prepared by		Serial No.	
Reviewed by		Version	1.0
Issued on	2005-05-18	Updated on	

Version: states by two Arabic Numbers, which is separated by one dot, e.g. 1.1. The first number means the version of signed file, the second one means the version of draft.

TCL-Thomson Electronics

These drawings and specifications are the property of TCL-Thomson Electronics and shall not be reproduced or copied or used as the basis for the manufacture or sale of apparatus or devices without permission.

Table of Content

1. GENERAL	3
1.1 COMMON INFORMATION	3
1.2 HOW TO ENTER FACTORY MODE (SERVICE MENU, SERVICE MODE)	3
1.3 A FEW SPECIAL MODES:	3
2. ALIGNMENT PROCEDURES:	4
2.1 B+ VOLTAGE ADJUSTMENT	4
2.2 RF AGC ADJUSTMENT	4
2.3 CRYSTAL OSCILLATOR FREQUENCY ADJUSTMENT	4
2.4 SCREEN & FOCUS VOLTAGE ADJUSTMENT	4
2.5 WHITE BALANCE ADJUSTMENT (NORMAL)	4
2.6 ADJUSTMENT OF SUB-BRIGHTNESS	5
2.7 PICTURE GEOMETRIC ADJUSTMENT	5
2.8 EHT/HEW RATIO TEST : (TEST WITH PC PROGRAM)	6
2.9 X RAYS OVER VOLTAGE PROTECTING CIRCUIT TEST	6
2.10 PS LINE POLARITIES TEST	6
2.11 PS POWER TEST	7
2.12 HIGH VOLTAGE AND IB VALUE LIMIT TEST(RANDOM TEST)	7
2.13 HEATER VOLTAGE TEST (RANDOM TEST)	7
2.14 MAIN FUNCTION TEST (EG, NICAM, BTSC, TELTEXT AND ETC.)	7
3. EEPROM DATA AND ADDRESS	8
4. WHITE BALANCE ADDRESS	12
5. CDRH DOCUMENT (IF AVAILABLE)	12
6. REMARK	12

1.GENERAL

1.1 Common Information

- 1.1.1 Use isolating transformer with low internal resistance.
- 1.1.2 Mains voltage is **90-260** V AC, unless otherwise stated.
- 1.1.3 All voltages and waveforms mentioned are with respect to Ground. Do not use heat-sink as Ground.

1.2 How to enter factory Mode (Service menu, service mode)

- 1.2.1 Certain alignment procedures need to enter Factory Mode (Service Menu). There are two ways to access factory mode:
One is :
 - A. **Press and hold the VOLUME DOWN key tightly on the unit until minimum level**
 - B. **Don't release the VOLUME DOWN key on the unit**
 - C. **Then press the CAPS key in 3 times on the RC**The other is:
Press "**Service**" Key on the factory RC. (Please noted the "D-mode" key is the invalid shortcut key if "bit-0" of "mode 1" is at "1".)
- 1.2.2 All system data in Factory Mode of "**Key 8 & Key 9**" are not adjustable when servicing, otherwise, the set will work abnormally.
- 1.2.3 It is suggested to disable the Service key before the set leave the factory.
Navigation:
 - Press "**Vol+**" "**Vol-**" key to select option;
 - Press "**P-**" "**P+**" key to adjust or select option.
 - Press "**0-9**" "**Notebook**" "**Favorite**" "**Sleep**" on the RC as the shortcut key to access factory menu.; All change in factory data will be saved in EEPROM automatically
 - Press "**GUIDE**" key on factory RC to cut off the I2C control from the CPU to other ICs. This is only valid during automatic adjustment of white balance.

1.3 A few special modes:

- 1.3.1 **Aging Mode** is used before set alignment. It would operate in factory mode;
- 1.3.2 **Vertical Stop mode** is used to confirm the screen voltage. Press "Mute" key in factory mode and repress "mute" key to exit.
- 1.3.3 White balance alignment mode
- 1.3.4 Factory Mode (Initialization)

In factory mode, press **RECALL** button to initialize the FACTORY-OUT status.

Volume: **30**, PG password:**0000**, Favorite channel: **ch1/ch2/ch3**,
channel lock: **disable**, Picture mode: **normal**,
Color temp: **normal**, calendar:**01-08-2004**

2. Alignment procedures:

2.1 B+ voltage adjustment

- 2.1.1 Needn't adjust B+ voltage on the line.

2.2 RF AGC adjustment

- 2.1.2 Input 58dB grey scale signal.
- 2.1.3 Press key "4" to enter RF AGC adjustment.
- 2.1.4 Press "OK" key to auto adjust RF AGC, also can adjust "RF AGC" by "Vol-/Vol+" key until the letter change from "INACTIVE" to "ACTIVE".

* The others use default value.

2.3 Crystal oscillator frequency adjustment

2.3.1 Crystal oscillator frequency adjustment with NICAM

- Apply PAL BG NICAM signal with good reception quality.
- Enter factory mode, press "game" key, then press "Vol+" key to adjust "DCXO Auto", until it displays "OKEY".

2.3.2 Crystal oscillator frequency adjustment without NICAM

- Input PAL color bar signal.
- On factory mode, press "0" to adjust "DCXO Auto" until it steady at 128.

2.4 Screen & Focus voltage adjustment

2.4.1 Screen voltage adjustment

- Press "MUTE" key on the remote control and the screen will become a horizontal line, here vertical stop vibration. Then adjust the "screen" VR on the flyback until the horizontal line can just be seen (minimum visible intensity).

2.4.2 Focus voltage adjustment

- Input cross hatch pattern signal.
- Adjust the "focus" VR on the flyback until the screen becomes clear.

2.5 White balance adjustment (NORMAL)

- 2.5.1 Choose Black and White pattern signal (PAL).
- 2.5.2 On factory mode, press "1" key enter white balance adjustment.
- 2.5.3 Measure the dark side of the picture with a color analyzer adjust RED and GRN until the data on the analyzer become $x=274\pm 8$, $y=280\pm 8$.
- 2.5.4 Measure the bright side of the picture. Then adjust WPR, WPG and WPB until the data on the analyzer become $x=274\pm 8$, $y=280\pm 8$.
- 2.5.5 Repeat step 1 and 2 until you get right color on both dark and bright side of the screen.

Remark :

- When adjusting, RED、GRN are used to adjust black balance and WPR、WPB、WPG are used to adjust white balance .
- On product line, the item which can be auto adjusted by auto test equipment , its data according to auto adjust value.
- White balance address please meet the fourth part at page 10.

2.6 Adjustment of Sub-brightness

2.6.1 Input grey scale + color bar signal.

2.6.2 Press key "6" to enter sub-brightness adjustment.

2.6.3 At standard state, adjust "BRTC", until the secondary grey just be seen.

* Do not change value "BRTS".

2.7 Picture geometric adjustment

2.7.1 Vertical geometric adjustment

a. Input a PAL cross hatch pattern signal .

b. Press key "2" to enter Vertical geometric adjustment .

c. Use remote control to adjust one by one , watch the figure, until the center or the corner grid has a same size .

d. When adjust vertical position , make the center of vertical intermediately.

e. In "5VSL", the second half may blanking , adjust the first half at display range.

Remark :

1 5VSC , 31 is fixed, don't adjust .

2 5VPOS for vertical position.

3 5VAM for vertical amplitude.

4 5VSL for vertical slope.

5 5VL for vertical linearity.

6 5SCL for vertical S-correction.

7 5WBR for end of blanking time on 4:3 mode (16:9 tube).

8 5WBF for start of blanking time on 4:3 mode (16:9 tube).

9 5BSWBR for right side black width of blue screen .

10 5BSWBF for left side black width of blue screen.

* 5WBF/5WBR only use on matching 16:9 tube, at 4:3 picture mode, adjust blanking time of R and F. First press "ZOOM" key switch to 4:3 mode, then adjust 5WBF and 5WBR respective to make the overscan meet the requirements.

*Adjustment is disabled when match 4:3 tube.

* 5BSWBR and 5BSWBF needn't adjustment.

*Apply NTSC signal to adjust these registers for NTSC geometric

2.7.2 Horizontal geometry adjustment

a. Input a PAL cross hatch pattern with black and white background signal.

b. Press key "3" enter Horizontal geometric adjustment.

c. Use remote control to adjust one by one , watch the figure, until the center and the vertical line at left and right side of the picture become straight.

Remark :

1. Adjust 5HSH for horizontal position, data should make H center mediacy .

2. 5PAR for parallelogram adjustment.

3. 5BOW for bow adjustment.

4. Adjust 5EWW for horizontal width.

5. 5EWP for pincushion correction.

6. 5UCR for upper corner correction.

7. 5LCR for low corner correction.

8. 5EWT for trapezium correction.

* Apply NTSC signal to adjust these registers for NTSC geometric

2.8 EHT/HEW ratio test : (test with PC program)

Equipment requirements : High Voltage Meter (Range: 0 - 40kV)、 High voltage test stick (1000:1)、 Adjustable DC power supply、 Dummy deflexion coil(as same inductance as CRT which use to product).

Test method :

- a. Mount the EHT cap onto the fixture and connect the EHT meter. Plug in the dummy deflexion coil. Connect the DC meter across C417.
- b. Switch on the chassis and measure the ratio of EHT/HEW at $I_b = 0$ (brightness, contrast are minimum).

Here, the HEW is the DC voltage across C417.

EHT voltage V, HEW voltage V1.

- d. Apply PC program, V/V1 need satisfy request below :

EHT/HEW (V/V1)		
29276P5	44-29RFLS-OR3A	
	A68QDL082X012(B)	

2.9 X rays over voltage protecting circuit test

Test method :

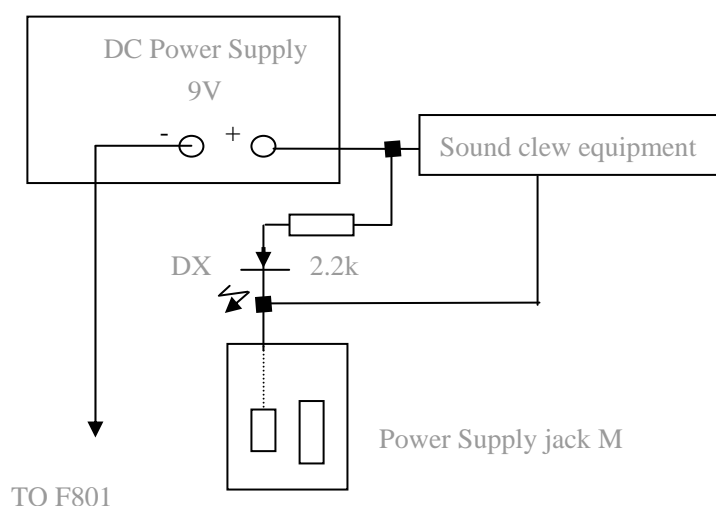
When TV ON with color bar signal, add more than 27V DV to **C417**, machine could enter into protection mode, otherwise please inspect X rays over voltage protecting circuit .

2.10 PS line polarities test

This test only the machines which will sell to NAFTA should be done.

Test method :

Connect as drawing below :



Plug the card power connector plugs to Power Supply jack M, and use multimeter pen touch F801 random pin, then LED DX should luminescence and clew with sound,

otherwise it is unqualified.

2.11 PS power test

Equipment requirements : Wattmeter

Test method :

- Input more than 60dB color bar signal, audio 1K Hz, 100% modulation.
- Brightness and contrast are maximum, adjust the volume to make the audio output power at 0.5W.
- Connect the wattmeter to test power consumption of Power Supply.
- Switch the set to standby mode, and then measure the power consumption of Power Supply again.

It should satisfy request below :

Type	Power	Standby power
25"	?W	10W
29"	?W	10W
34"	?W	10W

2.12 High voltage and Ib value limit test(random test)

Equipment requirements : Multimeter, High Voltage stick
Beam Current Meter

Input signal type : A 60dB white pattern signal.

Test method :

- Connect the EHT-meter across the anode and aquadag of the CRT.
- Connect a beam current meter between the anode of picture tube and EHT-cable of FBT.
- Measure the EHT-voltage at zero beam current ($I_{beam} = 0\mu A$).
- Subsequently, measure the EHT-voltage at respective $I_{beam(s)}$.

It should satisfy request below :

Beam current	EHT-voltage (KV)
$I_b = 50\mu A$	
$I_b = 50\mu A \& 1200\mu A$	

2.13 Heater voltage test (random test)

Equipment requirements : True RMS Voltmeter

Input signal type : Philips test card (from 1 mV rms (60dBuV) to 50 mV rms)

Test method :

- Connect the true RMS voltmeter between the heater and grand.
- Adjust the brightness and contrast to maximum .
- Then, test the heater voltage . It may be V_{rms}

2.14 Main function test (eg, NICAM, BTSC, TELTEXT and etc.)

NICAM test standard please reference

BTSC test standard please reference

TELTEXT test standard please reference **Q/WP1259-2003**.

CCD、V-CHIP test standard please reference EIA-744-A

3. EEPROM Data and Address

Items marked with * are adjustable, the others are not.

Model No.	KEY1					KEY2				
	RED*	GRN*	WPR*	WPB*	WPG*	5VPOS*	5VAM*	5VSL*	5VL*	5VSL
3290I	32	26	35	23	33	35	35	33	33	31

Model No.	KEY2					KEY3					
	5SCL*	5WBF*	5WBR*	5BS WBF*	5BSW BR*	5HSH *	5PAR*	5BOW *	5EWW *	5WEP *	5UCR *
3290	25	5	4	5	5	28	29	41	36	28	48

Model No.	KEY3		KEY4							
	5LCR*	5EWT*	RF AGC*	CPEK PAL	CFPE K PAL	CFPE K NTS	CFPE K YUV	IFPL	BBTC	PG R/G/B
3290	44	25	20	32	3.5M	3.1M	4.0M	32	32	64

Model No.	KEY4		KEY5							
	VG2BRI*	HDOL	CNTX	CNTN	BRTX	BRTN	COLX	COLN	TNTX	TNTN
3290	20	4	53	2	11	5	63	0	20	12

Model No.	KEY6							KEY7		
	CNTC	BRTC*	COLC	TNTC	COLP	COLS	BRTS	SHPTV4	SHPX	SHPN
3290	25	32	28	30	0	28	0	31	31	31

Model No.	KEY 7							KEY 8	
	OSD BRI	5CCDH	5CCDV	5OSDH	5OSDV	5MENUV	MENUH	OPT1*	OPT2*
3290	15	8	35	15	42	18	7	0A	A0

Model No.	KEY8								KEY9	
	OPT3*	OPT4*	OPT5*	OPT6*	OPT7*	OPT8*	OPT9*	OPT10*	MODE1*	MODE2*
3290	13	0	27	0B	51	1	4	0	73	97

Model No.	KEY9							
	MODE3*	MODE4*	MODE5*	MODE6*	MODE7*	MODE8*	MODE9*	MODE10*
3290	39	AD	41	4E	71	2B	2A	0

Model No.	KEY0											
	VOL 01	VOL 25	VOL 50	VOL 100	YDFE PAL	DEC LVL	MONO LVL	NIC LVL	ADC LVL	DCXO CAPV*	NICLP INV*	PSCALE
3290	27	122	143	163	15	0	0	0	0	54	Not inverted	0.375

Model No.	KEY0			KEY NOTEBOOK								
	PLIM	PCENTER*	LOUNDES S	BASS			TREBLE			300Hz		
				M	S	T	M	S	T	M	S	T
3290	96	212	6	86	30	40	85	30	70	11	4	5

Model No.	KEY NOTEBOOK												KEY FAVORITE					
	500Hz			1K Hz			5K Hz			8K Hz			Warm*			Cool*		
	M	S	T	M	S	T	M	S	T	M	S	T	R	G	B	R	G	B
3290	9	7	6	6	6	7	9	7	9	11	4	11	4	0	6	6	0	4

Model No.	KEY SLEEP									
	SET P1*	SET P2*	DATA VL*	DATA VH*	DATA UF*	SPE POSI	SPE DATA	SENSI ON	SENSI OFF	
3290	147M	423M	1	2	4	0	0	0	0	

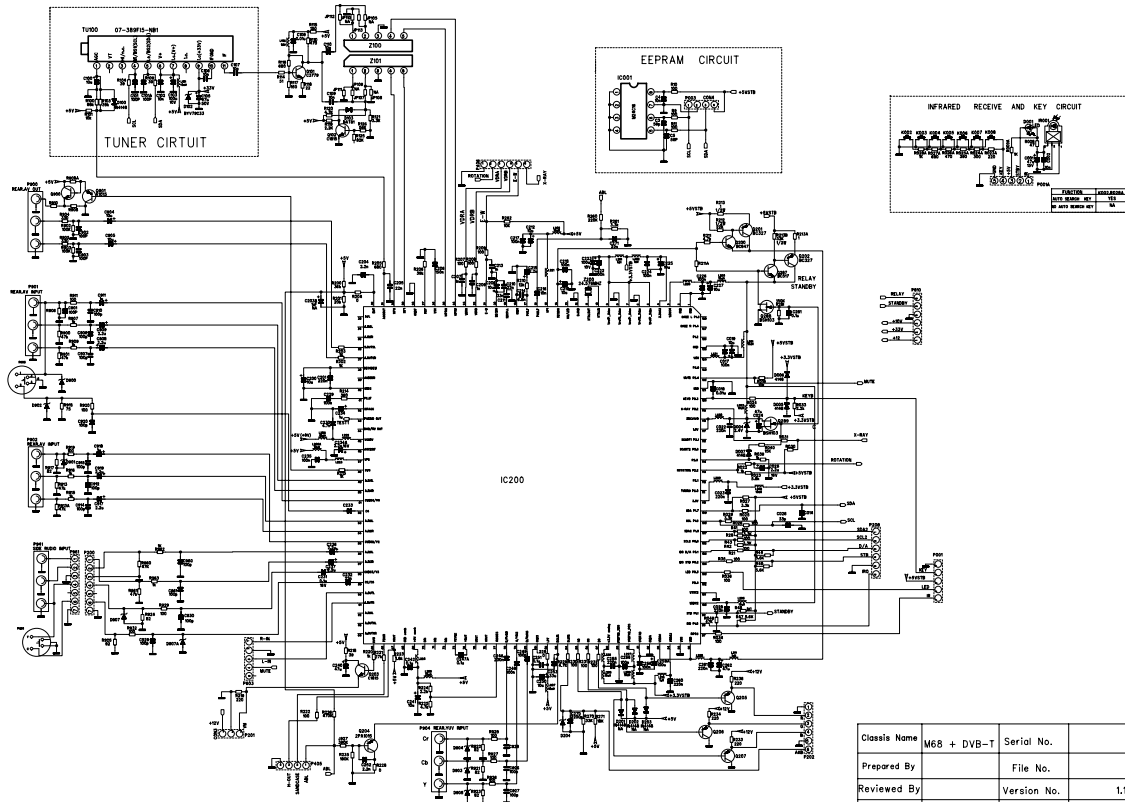
4. White balance address

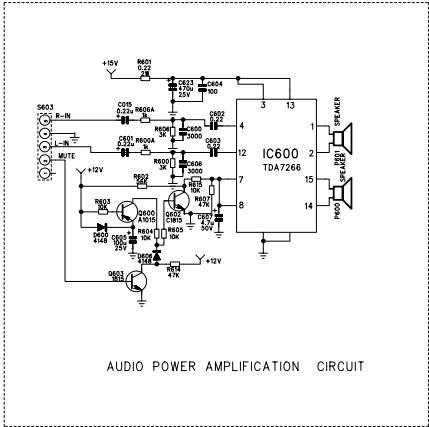
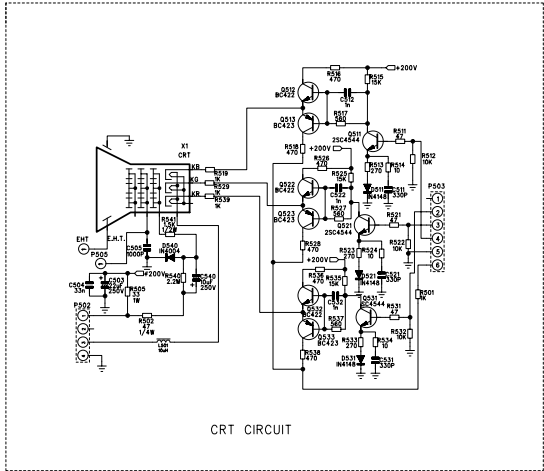
R G B	R AMP	G AMP	B AMP	R CUT	G CUT	B CUT	Remark
Offset DATA	147	148	149	145	146	*****	Factual setup
IC write(LsB)							
Sub Add	32	33	34	23	24	*****	
Start Bit	6	6	6	6	6	*****	
StOp Bit	0	0	0	0	0	*****	
E ² PROM							
Sub Add(LsB)	122	123	124	119	120	*****	TV standard color TEM
Reference						B	BJ SanAi (SWB-301)
Slave Address(write)							
16 Bit EEPROM	<input type="checkbox"/>	Page Addr		<input type="checkbox"/>			
IC	138			E ² PROM	160		

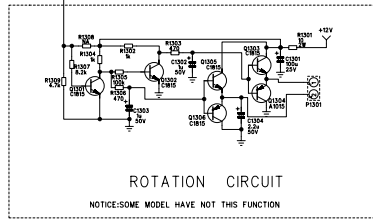
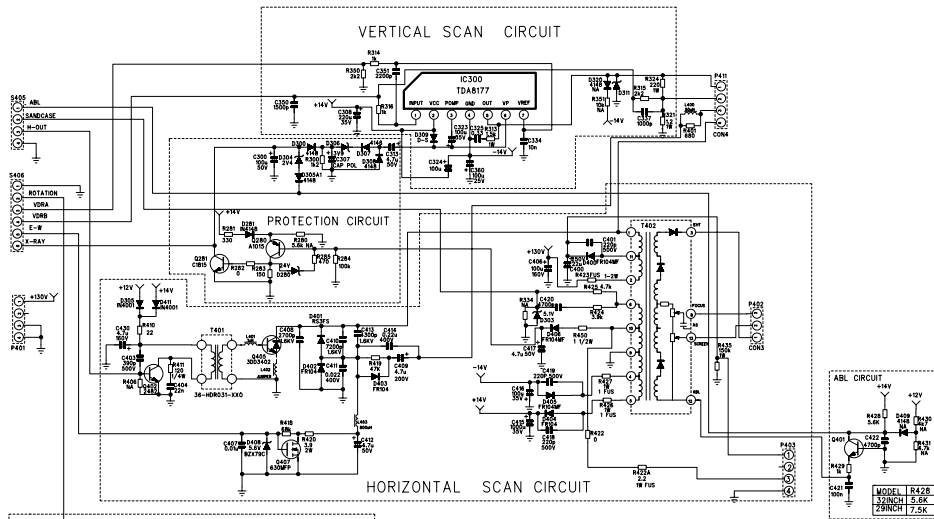
5. CDRH Document (If available)

6. REMARK

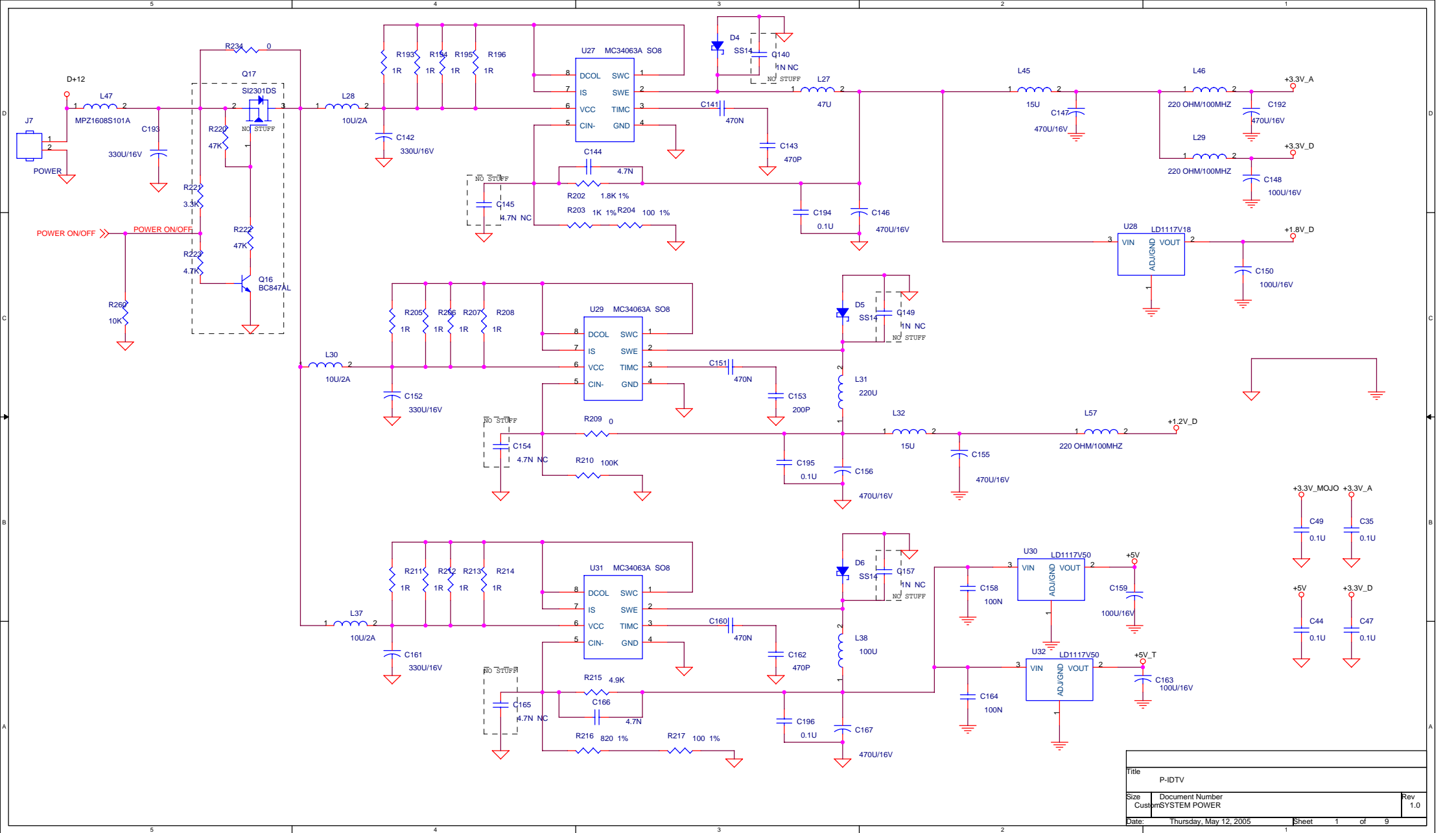
The items, marked in Grey, which are invalid for this chassis.

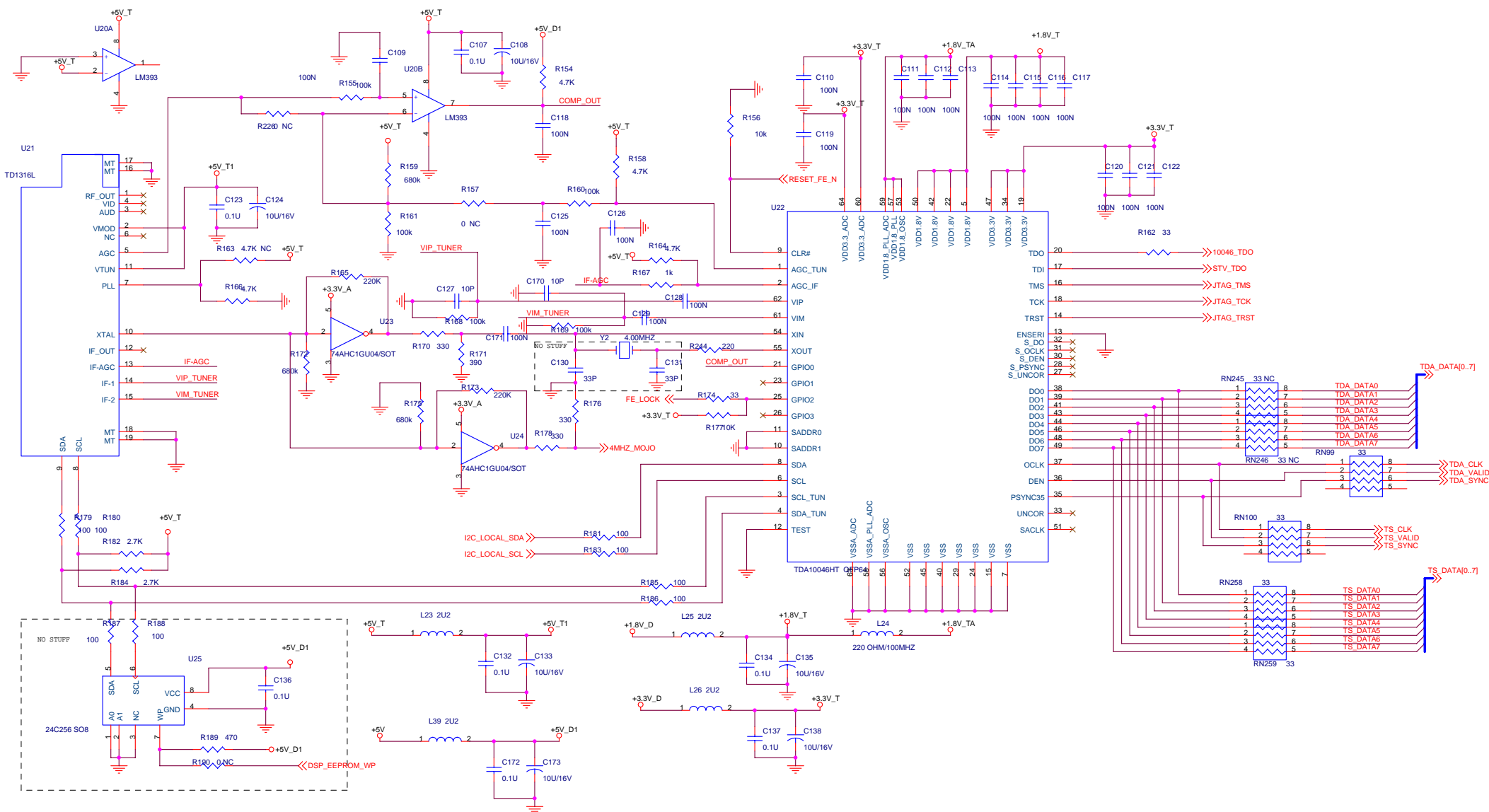




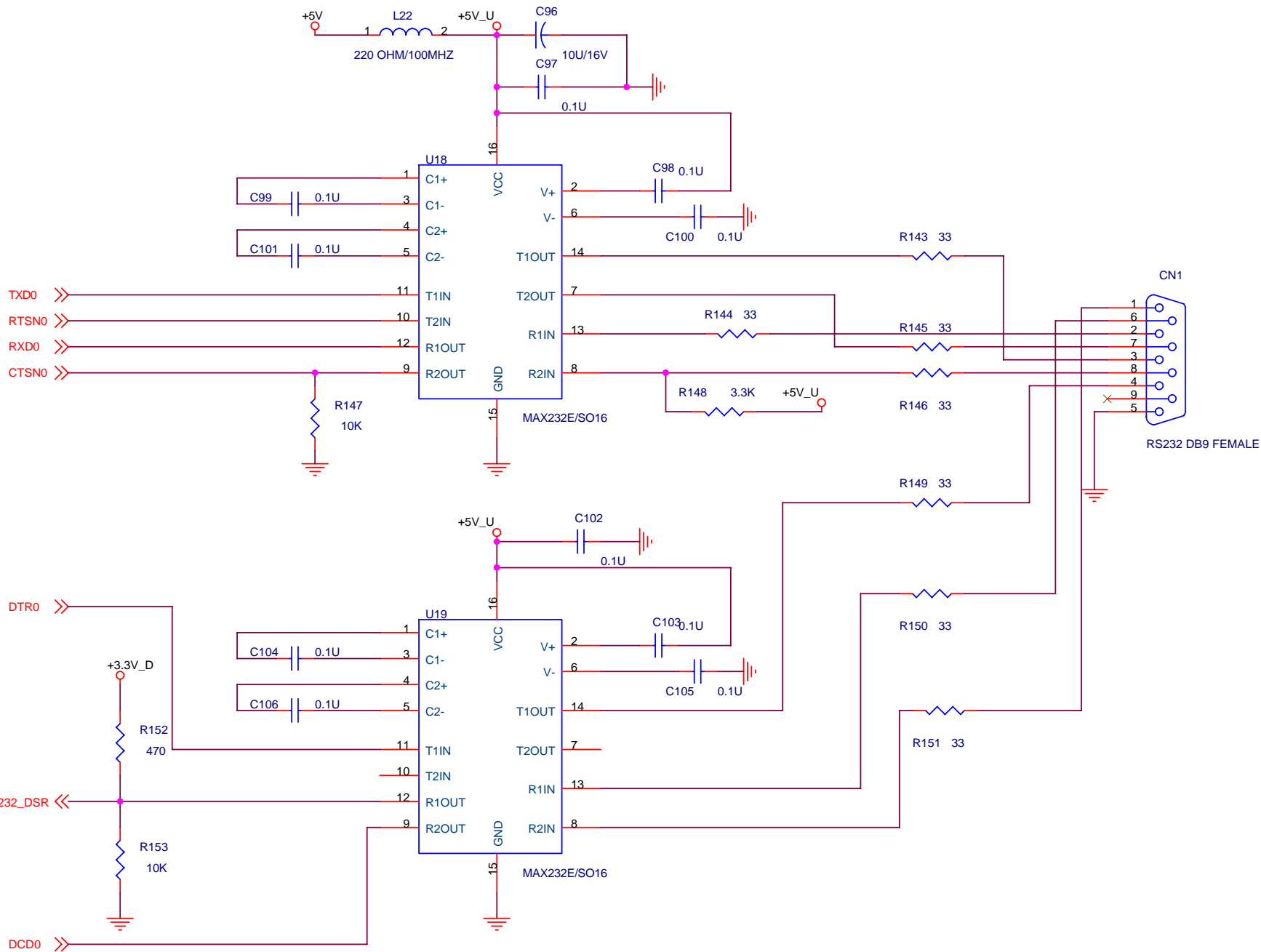


CRT NO	C408	C410	C411	C413	C414	L400	T402	T401
44-32RFLS-LG1A W76QEP257X53	2700P 1.6KV	7200P 1.6KV	0.022U 400V	4300P 1.6KV	0.22U 400V	50UH	37-FDA002-FBA1A BSC29-0185X	36-HDR031-XX0 BCT-1213
44-29RFLS-OR3A A68QDL082X012(B)	3300P 1.6KV	8200P 1.6KV	0.022U 400V	4300P 1.6KV	0.33U 400V	21UH	37-F05013-5410X JF0501-3541	36-HDR029-XX1 BCT-1012B
W76QEL592X018	2700P	7200p	0.015u	7600p	0.33u	21uH	37-FDA002-FBA1A BSC29-0185X	36-HDR031-XX0 BCT-1213

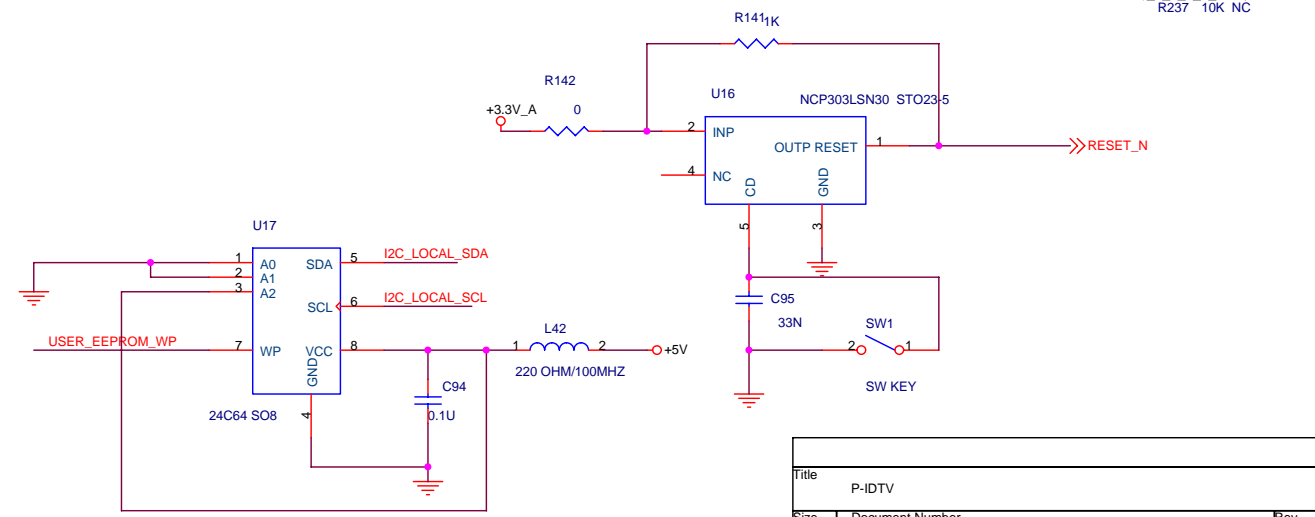
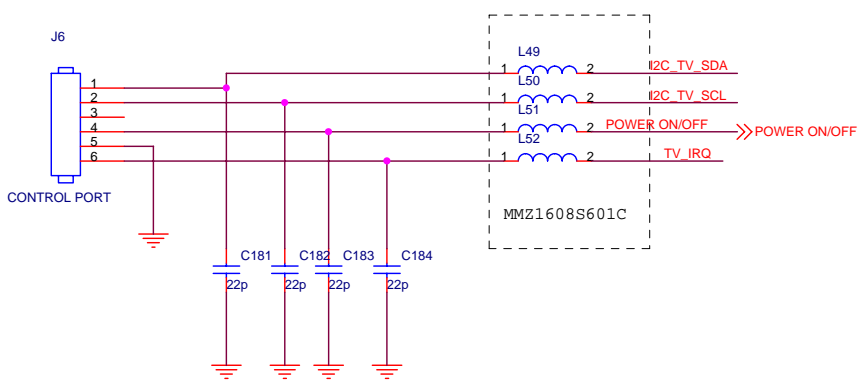
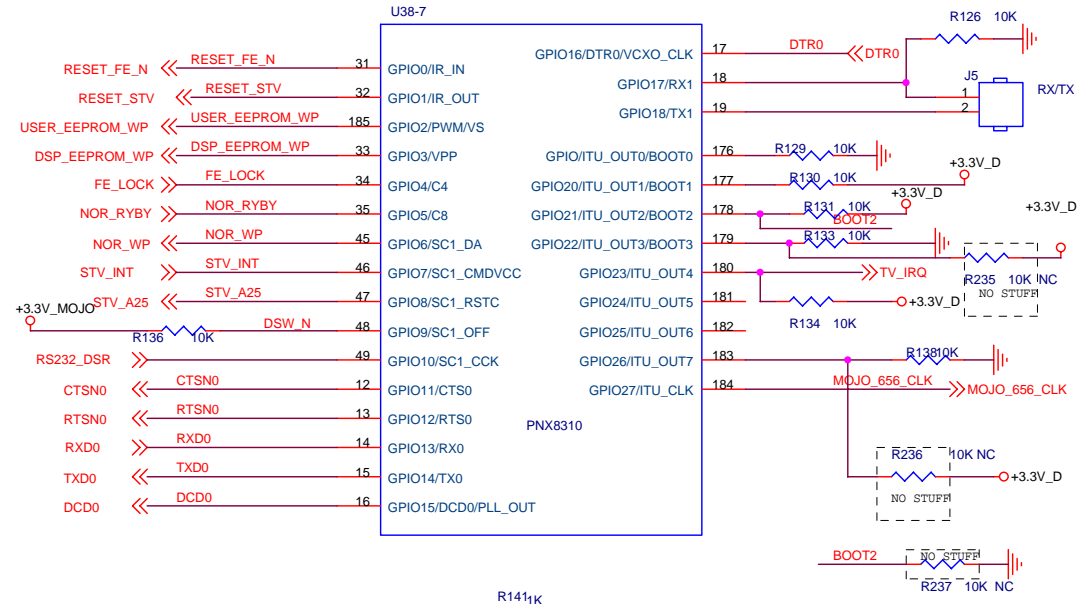
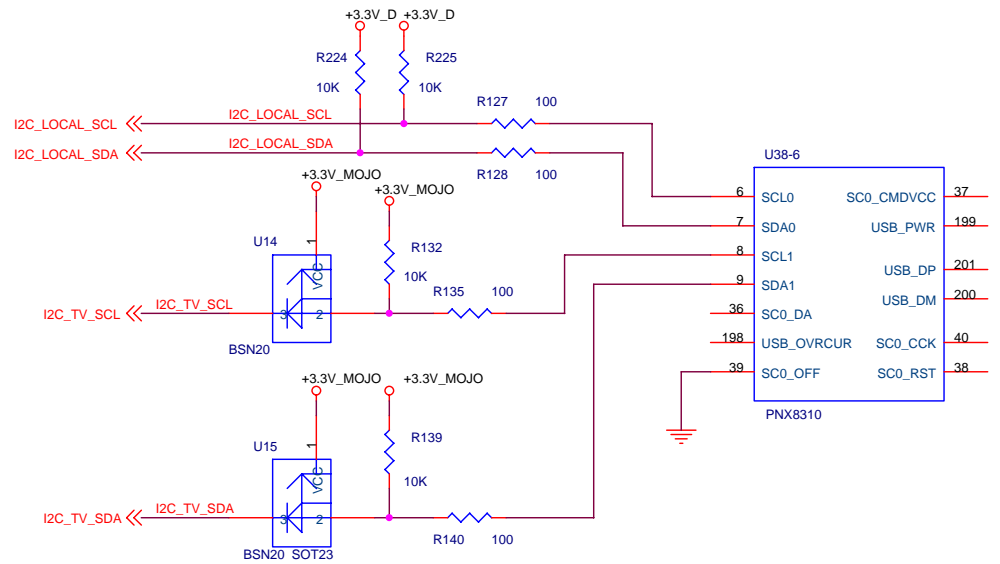
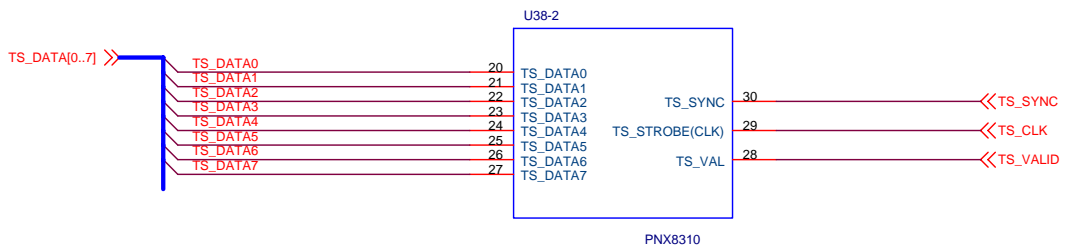




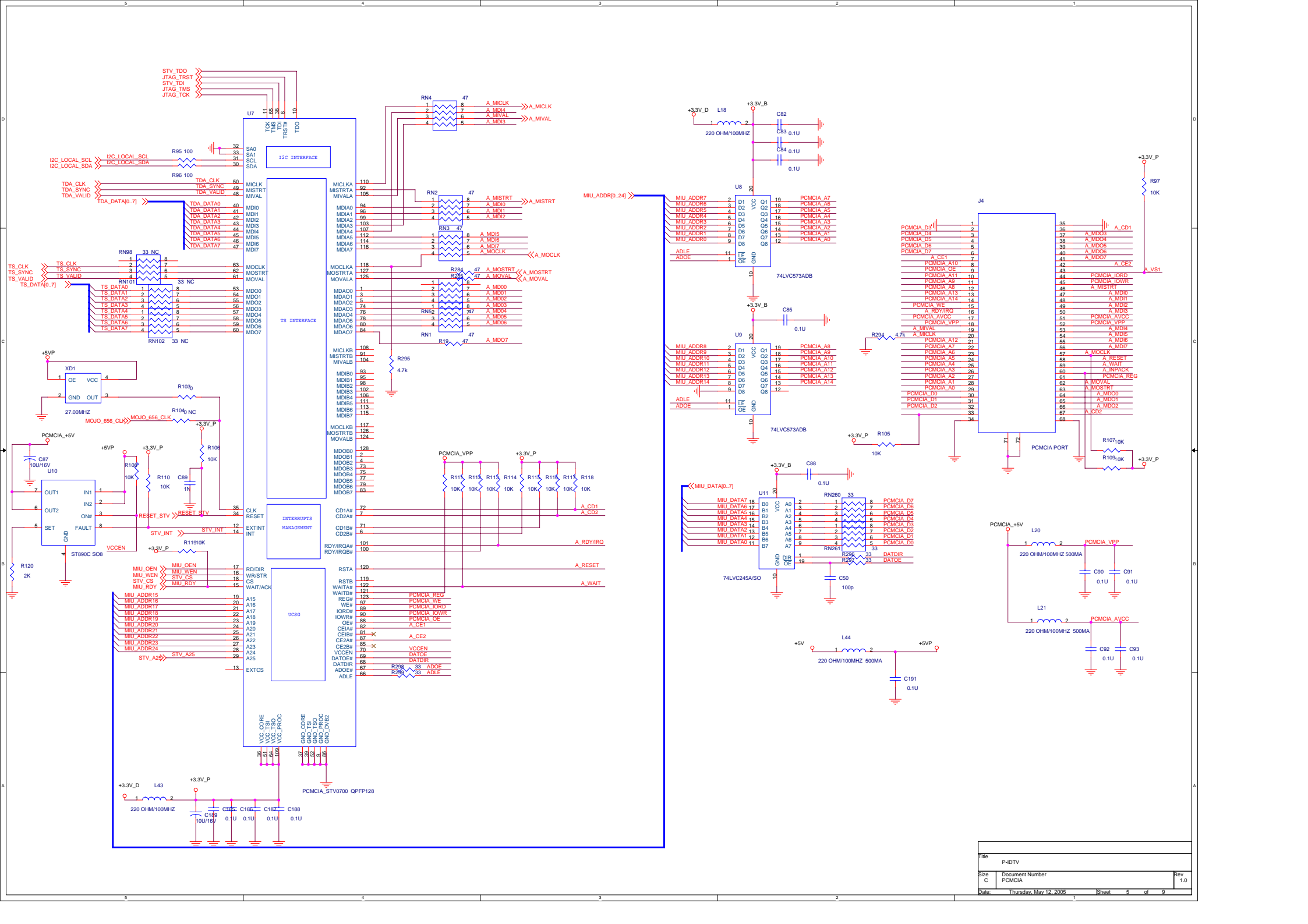
File		
P-IDTV		
Size	Document Number	Rev
Custom	mTUNER	1.0
Date:	Thursday, May 12, 2005	Sheet 2 of 9



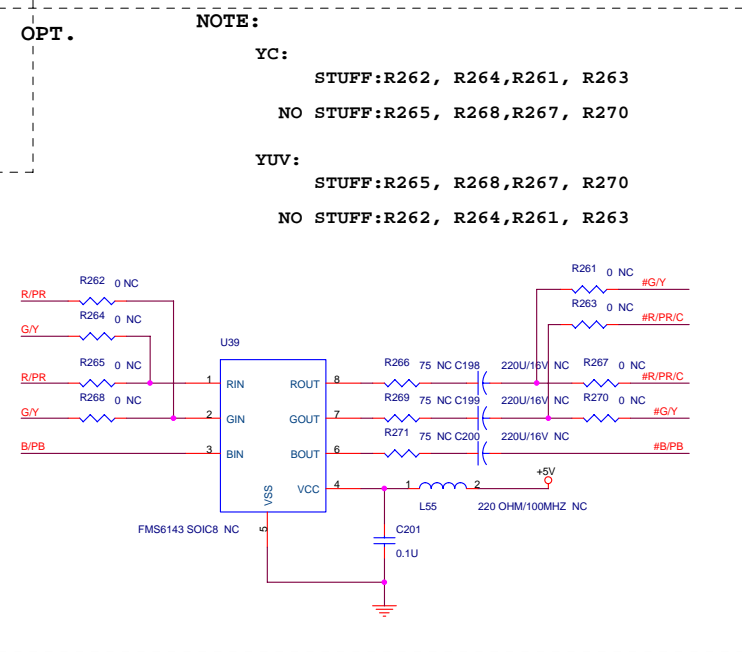
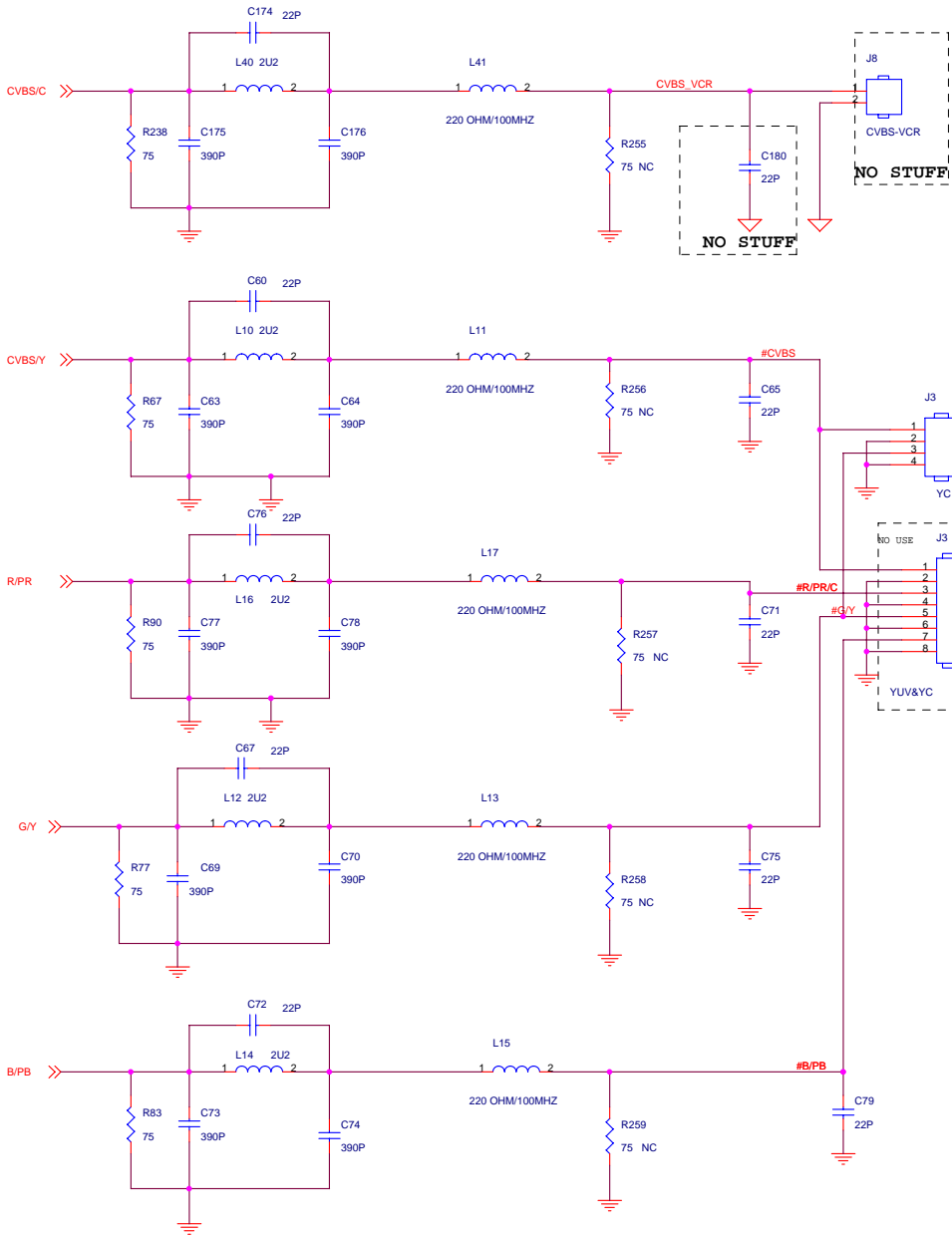
Title		
P-IDTV		
Size	Document Number	Rev
Custom	RS232	1.0
Date:	Thursday, May 12, 2005	Sheet 3 of 9



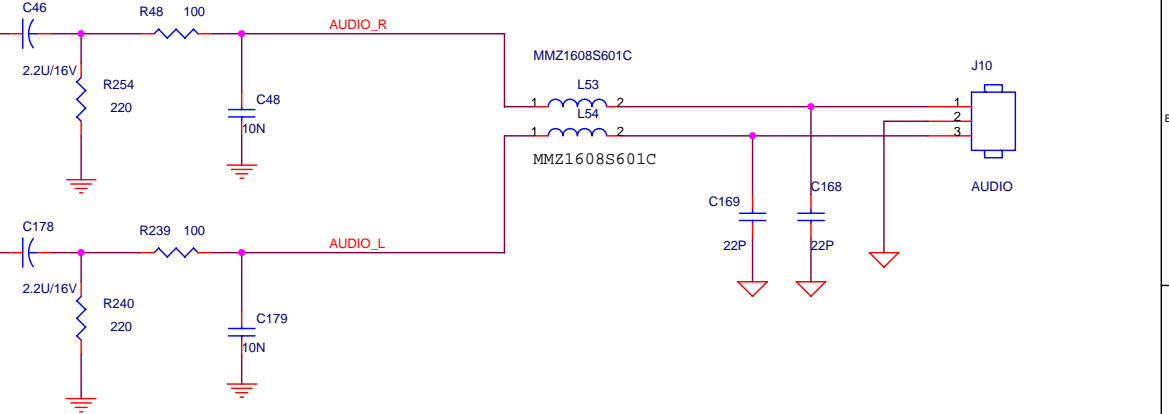
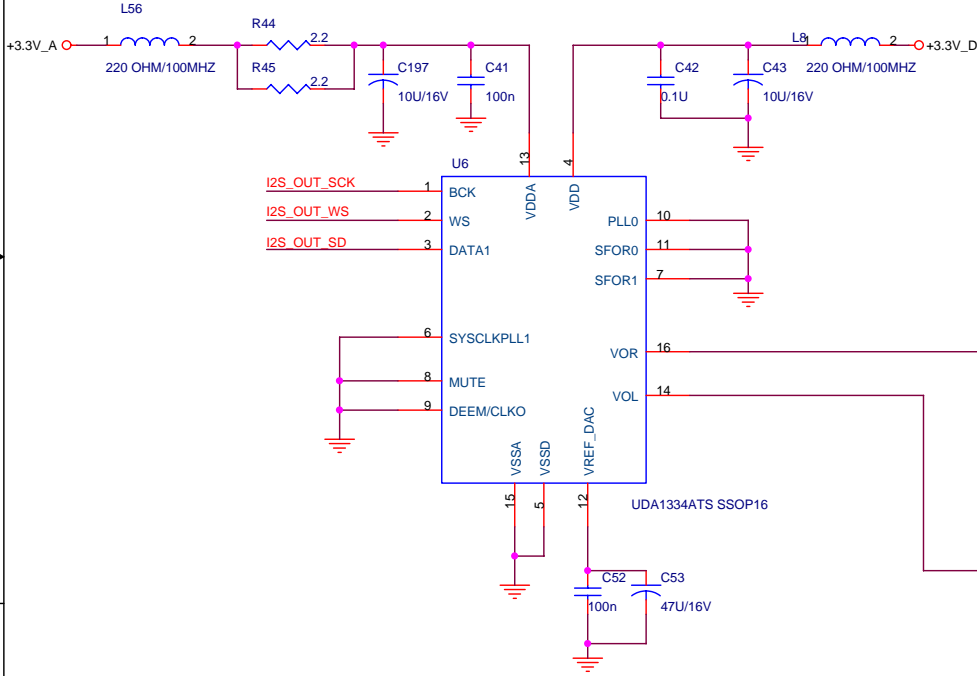
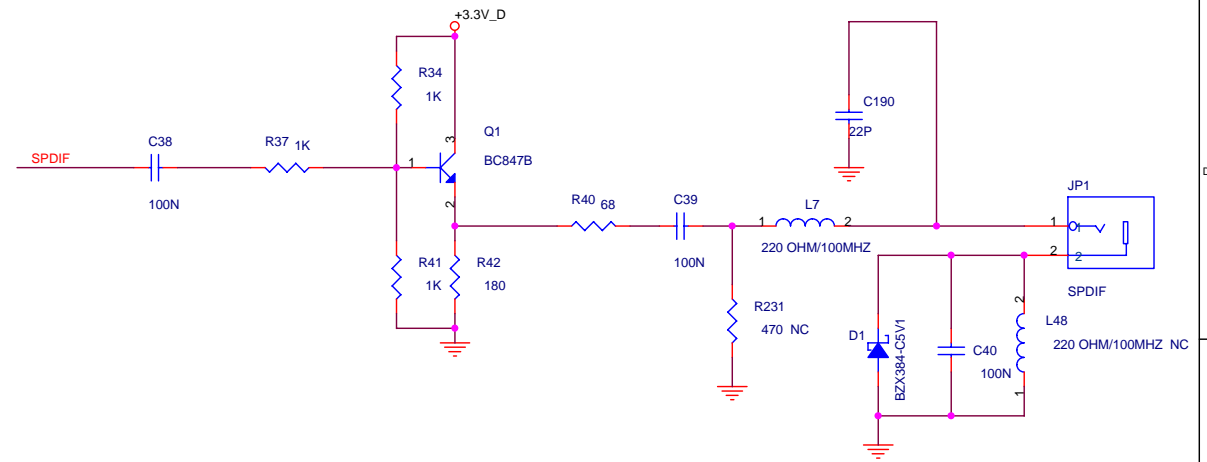
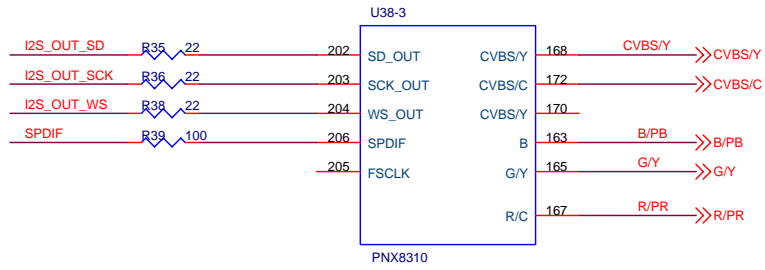
Title		
P-IDTV		
Size	Document Number	Rev
B	TS&I2C&GPIO	1.0
Date:	Thursday, May 12, 2005	Sheet 4 of 9



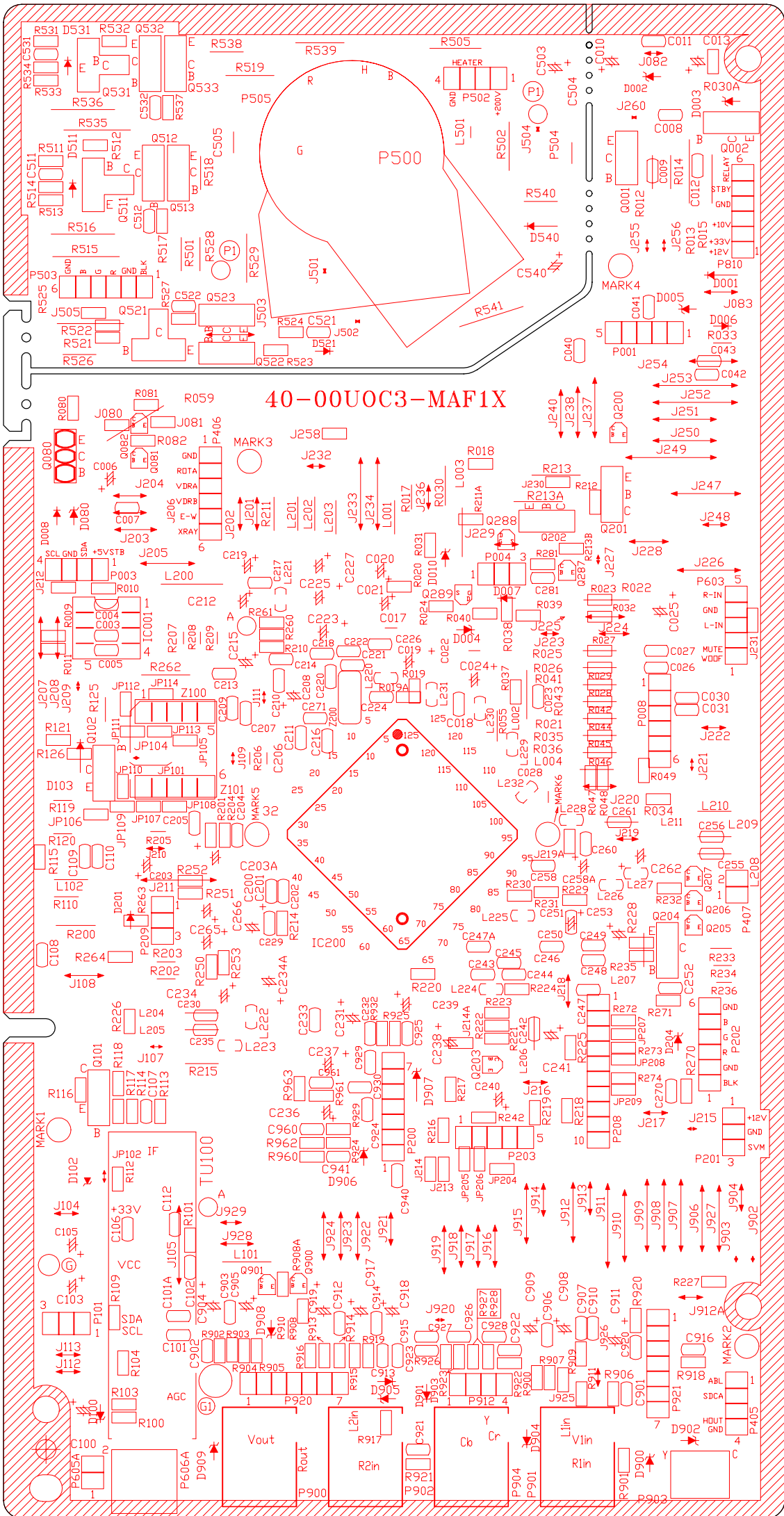
File	P-IDTV	
Size	Document Number	Rev
C	PCMCIA	1.0
Date	Thursday, May 12, 2005	Sheet 5 of 9



Title			P-IDTV		
Size	Document Number				Rev
Custom	mYUV&RGB&YC PORT				1.0
Date:	Thursday, May 12, 2005		Sheet	6	of 9



Title		
P-IDTV		
Size	Document Number	Rev
B	AUDIO	1.0
Date:	Thursday, May 12, 2005	Sheet 7 of 9



40-00UOC3-MAF1X

